

\$2.00

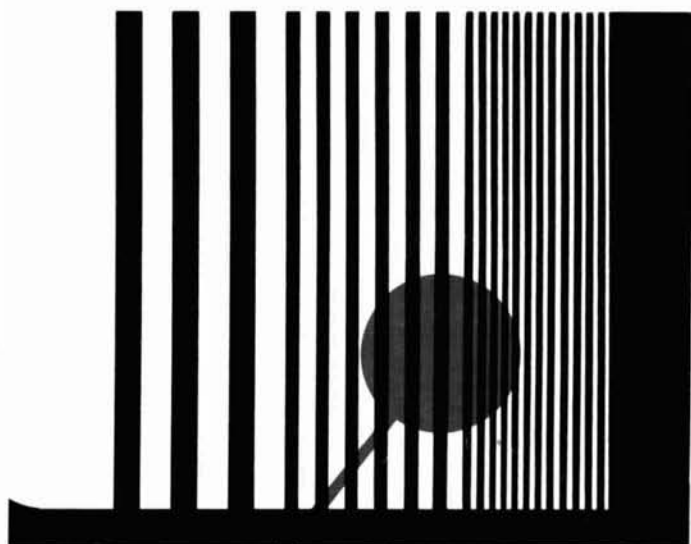
ham radio

magazine

hr 

JANUARY 1980

- ATV video console 12
- yagi antenna design 22
- remote 2-meter transceiver 28
- solid-state VHF linears 48
- HF log-periodic antennas 66



**video
console
for
ATV**

HELLO WORLD

NBVM CALLING



The VBC Model 3000, the world's first and only narrow band voice modulation system is now a proven success. Leading communications engineers were enthusiastic about the NBVM system from the beginning. Now the idea of more QSO's per kilocycle has fired the imagination of Amateurs everywhere. The benefits of this advanced communications system are being demonstrated all over the world.

For present VBC users we can provide a list of other happy owners. For those Amateurs, who have not experienced NBVM yet, "why not add your name to the list?"

The VBC Model 3000 provides full audio level compression and expansion... complete intelligibility in only 1300 Hz bandwidth. It permits you to take full advantage of other stations' RF speech clippers and processors... similar to the amplitude compression and expansion used for many years in telephone and satellite communications. The Model 3000 is for mobile and fixed station use and requires no modifications to your existing equipment. It is completely self contained, including its own audio amplifier. The unit automatically switches into transmit

mode when microphone is keyed or voice operation is used. It connects just after the microphone on transmit and just prior to the speaker on receive. In addition to its basic function of operating in a narrow bandwidth, the Model 3000 also increases the performance of your station in the following ways:

- Reduces adjacent channel interference
- Increases signal to noise ratio
- Increases communications range

Some of its outstanding features include:

- High quality narrow band speech
- Self contained transmit/receive adapter
- Built in audio amplifier
- 5 active filters with a total of 52 poles
- Rugged dependable hybrid IC technology
- Low power consumption

Receive only features, such as sharp voice and CW filtering and amplitude expansion, provide improved reception without requiring a unit at the transmitting station.

For the more advanced experimenter the Model 3000 is available in a circuit board configuration for building into your present transceiver.

Henry Radio is ready to offer technical assistance and advice on the use and servicing of the Model 3000 and will help introduce new owners to others operating NBVM units. Get in on the ground floor... order yours now.

Price: VBC Model 3000 \$349.00
Circuit board configuration \$275.00

For more detailed information please call or write. The Model 3000 will be available from most Tempo dealers throughout the U.S. and abroad.

NEW TOLL FREE ORDER NUMBER: (800) 421-6631
For all states except California
Calif. residents please call collect on our regular numbers.

11240 W. Olympic Blvd., Los Angeles, Calif. 90064 213/477-6701
931 N. Euclid, Anaheim, Calif. 92801 714/772-9200
Butler, Missouri 64730 816/679-3127

Prices subject to change without notice



Henry Radio

Three recent additions to the Drake 7-Line family



Drake R7 Synthesized General Coverage Receiver



Full 0-30 MHz coverage, with no gaps or range crystals required. Continuous tuning from vlf thru hf. State of the art a-m, ssb, RTTY, and cw. Transceives with Drake TR7.

- ★ Complete transceiver/separate functions for use with TR7.
- ★ Multi-function antenna selector/50 ohm splitter for dual receive with the TR7.
- 100% solid state broadband design, synthesized with PTO.
- Covers range 0 to 30 MHz. Both digital and analog readout.
- Special front-end circuitry with high level mixer and 48 MHz 1st i-f.
- Complete front-end bandpass filters operate from hf thru vlf.
- 10 dB pushbutton-controlled broadband preamp for ranges above 1.5 MHz.
- Various front panel switch-selected optional selectivity filters.
- Low distortion "synchro-phase" a-m detector improves international SW.
- Tunable i-f notch filter reduces heterodyne interference.
- Full electronic passband tuning system.
- Digital readout may be used as a 150 MHz counter.
- Built-in power supply: 100, 120, 200, 240 V-ac, or 13.8 V-dc.
- Built-in speaker, or external Drake MS7 speaker may be used.
- Built-in 25 kHz calibrator for calibration of analog dial.
- Low level audio output for tape recorder.
- Select up to eight crystal-controlled fixed channels. (With Aux7).
- Optional Drake NB7A Noise Blanker available.

Accessories available for use with Drake R7:

- MS7 Speaker • SL300 Cw Filter, 300 Hz • SL500 Cw Filter, 500 Hz • SL1800 Ssb/RTTY Filter, 1800 Hz • SL6000 A-m Filter, 6.0 kHz • SL400 A-m Filter, 4.0 kHz • NB7A Noise Blanker • Aux7 Range Program/Fixed-Frequency Board
- R7/TR7 Interface Cable Kit • R7 Service/Schematic Book.

Drake 7-Line Accessories



**Drake L7
Continuous Duty
160-10 Meters
2kW
Linear
Amplifier**

Temperature controlled for "key-down" operation covers any WARC expanded or new hf amateur bands, MARS, etc.

- 2 kW PEP, 1 kW cw, RTTY, SSTV full rated continuous duty
- Covers 160-10* meter amateur band, plus future hf band WARC expansions and MARS, embassy, government, etc.
- The Drake L7 includes a pair of rugged Eimac 3-500 Z triodes.
- Accurate built-in rf wattmeter.
- Temperature controlled two speed high volume fan.
- Adjustable exciter agc feedback.
- By-pass switching.
- Bandpass tuned input circuitry.
- 120/240 V ac, 50/60 Hz.



**Drake
MN2700**

2 kW Matching Network

Manages rf radiation by impedance match to antenna, measurement of rf power and VSWR, reduction of harmonic radiation, and antenna selection.

- 160 thru 10 meters frequency coverage — plus MARS, future expansions, etc.
- Matches antennas fed with coax, balanced line, or random wire. (Use Drake Balun for balanced line.)
- Antenna by-pass switching also selects various antennas.
- Extra harmonic reduction to help fight TVI — "pi-network" low-pass filter type circuitry is a Drake exclusive.
- Accurate rf wattmeter/VSWR bridge.
- 2000 watts PEP, 1000 watts average. Continuous duty.

Ask about the 250W Drake MN7 and Drake B1000 Balun

Specifications and prices subject to change without notice or obligation.

For a FREE Drake Full Line Catalog contact your favorite Drake Dealer.

R. L. DRAKE COMPANY



540 Richard St., Miamisburg, Ohio 45342, USA
Phone: (513) 866-2421 • Telex: 288-017

NEW MFJ-525 RF SPEECH PROCESSOR

True RF Speech Processing. Gives you up to 4 times (6db) more average SSB power on all bands. Powerful natural sounding speech punches thru QRM. Works with any rig. Plugs between mic and rig. VU meter. Uses advanced digital and analog techniques.



BRAND NEW

Powerful natural sounding processed speech punches thru QRM. Plugs between mic and rig. No internal connections to rig.

\$119⁹⁵

The MFJ-525 gives you up to four times (6db) more average SSB power on all bands with true RF Speech Processing.

Powerful natural sounding speech punches thru QRM and DX pile ups.

Used with your rig, the MFJ-525 gives you more average SSB power increase per dollar than a linear or beam.

Combined with a linear and a beam, you have the ultimate with up to four times more average SSB power.

Ideal for mobile and QRP. Vastly improves phone patching. Eliminates flat-topping, splatter.

The MFJ-525 is a closed SSB transmitter-receiver system. Using high performance digital and analog techniques, microphone audio is converted to SSB, clipped and filtered and then converted back down to audio for your rig's mic input.

Use any rig and microphone. Plugs between your mic and rig. No internal connections needed.

Two color VU meter aids in setting clipping level.

Clipping level control sets amount of processing.

Output level control adjusts level to transmitter and eliminates readjusting rig's mic gain control when processor is bypassed.

Push button ON-OFF/BYPASS switch bypasses processor in OFF position. LED indicates power on.

4 pin mic jack. Shielded output cable has push-to-talk line. Uncommitted 4 pin mic plug supplied. Easily adapted for any rig.

RFI protected with double sided PC board ground plane, input, output RFI filtering, ferrite beads, careful layout, RFI coating on side panels.

110 VAC or 12 to 18 VDC. Eggshell white with

walnut grain sides. 6x2x6 inches.

Order from MFJ and try it — no obligation. If not delighted, return it within 30 days for refund (less shipping). **One year unconditional guarantee.**

Order today. Call toll free 800-647-1800. Charge VISA, MC or mail check, money order for \$119.95 plus \$3.00 shipping for MFJ-525.

Don't wait to punch thru QRM with powerful natural sounding processed speech, order today.

CALL TOLL FREE ... 800-647-1800

Call 601-323-5869 for technical information, order/repair status. Also call 601-323-5869 outside continental USA and in Mississippi.

MFJ ENTERPRISES, INC.
BOX 494, MISSISSIPPI STATE, MS 39762

NEW MFJ-410 "Professor Morse" lets you . . .

COPY CW FASTER AND UPGRADE QUICKER

NEW MFJ Random Code Generator/Keyer sends unlimited random code in random groups for practice. Never repeats same sequence. Tailor level to your ability. Vary speed 5 to 50 WPM. Vary spacing between characters. Speed Meter. Full Feature Keyer.

Sends unlimited random code. Never repeats same sequence. Tailor level to your ability. Vary speed 5-50 WPM.



BRAND NEW

\$149⁹⁵

Copy code faster and upgrade quicker. Now you can tailor the level of code practice to your exact needs. Practice copying code anywhere and anytime you have a spare moment. Practice at home, in bed, driving to work, during lunch, etc.

The new MFJ-410 "Professor Morse" is a computer-like random code generator and keyer that sends an unlimited supply of precision Morse Code in random groups.

It never repeats the same sequence so you can't memorize it like code tapes.

Vary speed 5-50 WPM and read on speed meter.

Vary spacing between characters and character groups (for example, copy 5 WPM with 13 WPM characters) to give proper character sound at low speed.

Select alphabetic only or alphanumeric plus punctuation (period, comma, question, slash, double dash.)

Tone control. Room filling volume. Built-in speaker. **Ideal for classroom teaching.** Earphone jack (2.5 mm) for private listening.

Uses 110 VAC, or 9-18 VDC, or 4-C cells (for portable use). Optional cable for car cigarette lighter (\$3.00). 6x2x6 inches.

Built-in full feature keyer. Volume, speed, internal tone and weight controls. **Weight control** adjusts dot-dash space ratio; makes your signal distinctive to penetrate QRM. Speed meter works for keyer, too. Tune switch keys transmitter for tuning. Reliable solid-state keying: grid block, cathode, solid state rigs. **OPTIONAL BENCHER IAMBIC PADDLE.**

Dot and dash paddles have fully adjustable ten-

sion and spacing. Heavy base with non-slip rubber feet eliminates "walking". \$39.95.

Order from MFJ and try it — no obligation. If not delighted, return it within 30 days for refund (less shipping). **One year unconditional guarantee.**

Order today. Call toll free 800-647-1800. Charge VISA, MC or mail check, money order for \$149.95 plus \$3.00 shipping for MFJ-410 and/or \$39.95 plus \$3.00 shipping for Bencher paddle.

CALL TOLL FREE ... 800-647-1800

Call 601-323-5869 for technical information, order/repair status. Also call 601-323-5869 outside continental USA and in Mississippi.

MFJ ENTERPRISES, INC.
BOX 494, MISSISSIPPI STATE, MS 39762



ham radio

magazine

JANUARY 1980

volume 13, number 1

T. H. Tenney, Jr., W1NLB
publisher

James R. Fisk, W1HR
editor-in-chief

editorial staff

Martin Hanft, WB1CHQ
administrative editor

Robert Schneider, N6MR
Alfred Wilson, W6NIF
assistant editors

Thomas F. McMullen, Jr., W1SL
Joseph J. Schroeder, WB1JUV
associate editors

publishing staff

J. Craig Clark, Jr., N1ACH
assistant publisher

T. H. Tenney, Jr., W1NLB
advertising manager

James H. Gray, W1XU
assistant advertising manager

Harold P. Kent, WA1WPP
Dorothy A. Sargent, KA1BEB
advertising sales

Susan Shorrock
circulation manager

ham radio magazine
is published monthly by
Communications Technology, Inc
Greenville, New Hampshire 03048
Telephone: 603-878-1441
Address all editorial and
advertising correspondence to
Greenville, New Hampshire 03048

subscription rates

United States: one year, \$15.00
two years, \$26.00; three years, \$35.00

Canada and other countries (via Surface Mail)
one year, \$18.00; two years, \$32.00
three years, \$44.00

Europe, Japan, Africa (via Air
Forwarding Service) one year, \$25.00

All subscription orders payable in
United States funds, please

foreign subscription agents

Foreign subscription agents are
listed on page 99

Microfilm copies
are available from
University Microfilms, International
Ann Arbor, Michigan 48106
Order publication number 3076

Cassette tapes of selected articles
from ham radio are available to the
blind and physically handicapped
from Recorded Periodicals
919 Walnut Street, 8th Floor
Philadelphia, Pennsylvania 19107

Copyright 1979 by
Communications Technology, Inc
Title registered at U. S. Patent Office

Second-class postage
paid at Greenville, N. H. 03048
and at additional mailing offices
ISSN 0148-5989

Subscription inquiries and changes of
address should be directed to ham radio
magazine, Greenville, New Hampshire 03048
Please include address label from most
recent issue if possible

Postmaster send Form 3579 to ham radio
Greenville, New Hampshire 03048

contents

12 video console for ATV

Charles A. Beener, WB8LGA

**22 yagi antenna design:
performance calculations**

James L. Lawson, W2PV

**28 remote synthesized 2-meter
fm transceiver**

Neil Stone, WB4UPC

42 portable monoband shortwave receiver

Jack Perolo, PY2PE1C

48 solid-state VHF linear amplifiers

Charles F. Clark, AF8Z

**52 amateur radio equipment
survey, number two**

Thomas McMullen, W1SL

**58 expanded memory for the Autek
MK-1 keyer**

William B. Jones, N9AKT

62 observations on the speed of light

Harold F. Tolles, W7ITB

**66 log-periodic antennas
for the high-frequency bands**

George E. Smith, W4AEO
Paul A. Scholz, W6PYK

**71 audio processor
for reception**

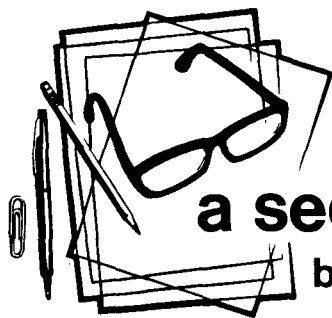
Don E. Hildreth, W6NRW

**82 digital techniques:
gate arrays for control**

Leonard H. Anderson

- | | |
|------------------------------|---------------------------|
| 4 a second look | 88 ham notebook |
| 110 advertisers index | 6 letters |
| 82 digital techniques | 92 new products |
| 99 flea market | 8 presstap |
| 104 ham mart | 110 reader service |





a second look

by Jim Fisk

Are you thinking about buying one of those new solid-state, phased-locked rigs with digital read-out? If you are, be sure you buy a rig with a good solid *factory-backed* warranty! As some buyers have sadly discovered, there are *some* Amateur Radio equipment manufacturers who require their dealers to provide the warranty as part of their "dealer agreement;" and in some cases the manufacturer or supplier does not reimburse the dealer for his warranty work. Under such arrangements it doesn't take much imagination to understand why the dealers aren't particularly enthusiastic about fixing faulty equipment. The dealer is further hampered by the unavailability of up-to-date service information — his technicians often have little more available to them than whatever information is packed with the equipment.

I won't dispute the fact that if you had a problem with your equipment you would be able to get it repaired. You probably could; but it might be a long drawn out affair, depending on the dealer you're working with and how much interest he has in doing the factory's warranty repair work with no reimbursement for his parts.

In this day and age of sophisticated equipment the dealers and repair technicians must stock many, many different components for each item they are called on to service. If the dealer is not reimbursed for his time and labor, it's obviously not in his best interest to tie up vast amounts of cash in spare parts — he simply orders the repair parts as he needs them, and you have to wait weeks — perhaps months — before you can get your transceiver back on the air.

Under such circumstances shipping your rig back to the factory for repair may be the best move you can make. They have all the parts and expertise to do it right, and in many cases they can give you better "turn around" than your local dealer. This is not a criticism of your dealer's repair facilities; his technicians must be familiar with many different types of equipment, whereas the factory technicians are able to specialize and hence can often do the job faster.

As a final note, any equipment manufacturer who does not offer factory repair facilities is suspect — they are simply passing the buck down the line to the dealer. And you know who suffers in the long run!

Most of the Amateur Radio manufacturers, fortunately, offer full factory-backed warranties, but those who do not should be avoided like the plague. Keep that in mind before you plunk down your hard-earned dollars for a new rig.

Jim Fisk, W1HR
editor-in-chief

6 Meters + ICOM + Sunspots = The best DX



ICOM's 551D is Essential to the 6 mtr DX Formula.

The IC-551D is the high powered brother to the ICOM IC-551. With an 80+ watt output, you have all the punch you need for that really good DX when the Sunspots are working for you. The 551D has the same no-backlash, no-delay dual VFO light chopper system, coupled to the microprocessor for split frequency as well as completely variable offsets.

For quick access to DX excitement, three memories are provided for programmed beacon watching, which can be scanned and programmed to stop on the first one heard. A room full

of white noise is no longer a problem with ICOM. Pass band tuning and VOX are included at no extra cost.

SPECIFICATIONS

Frequency Coverage: 50~54MHz

Power Supply Requirements:

13.8V DC \pm 15%, negative ground
Current drain 18A max.
(at 200W input). AC power supply speaker console is available for AC operation.

Emission Modes:

A3J SSB (USB/LSB)
A1 CW
A3H AM
F3* FM

Dimensions: 111mm (H) \times
241mm (W) \times 311mm (D)

Weight: 6.6kg

Sensitivity: SSB/CW/AM

Less than 0.5 μ V for 10dB S+N/N
FM* More than
30dB S+N+D/N+D at 1 μ V

Squelch Sensitivity: SSB/CW/AM 1 μ V
FM* 0.4 μ V

Selectivity: SSB/CW/AM

More than \pm 1.1 KHz at -6dB
Less than \pm 2.2KHz at -60dB
Adjustable to 1KHz at -6dB
FM*

More than \pm 7.5KHz at -6dB
Less than \pm 15KHz at -60dB

*Only when FM Unit is installed.

HF/VHF/UHF AMATEUR AND MARINE COMMUNICATION EQUIPMENT



ICOM

ICOM AMERICA, INCORPORATED

Sales Service Centers located at:

2112 116th Avenue NE
Bellevue, WA 98004
Phone (206) 454-8155

3331 Towerwood Dr., Suite 307
Dallas, TX 75234
Phone (214) 620-9780

ICOM INFORMATION SERVICE

2112 116th Ave., N.E.
Bellevue, WA 98004

Q H

Z S

Please send me: IC-551D specifications sheet; full color
ICOM Product Line Catalog; List of Authorized ICOM
Dealers.

NAME _____ CALL _____

ADDRESS _____

CITY _____ STATE _____ ZIP _____

You may send a machine copy of this form



comments

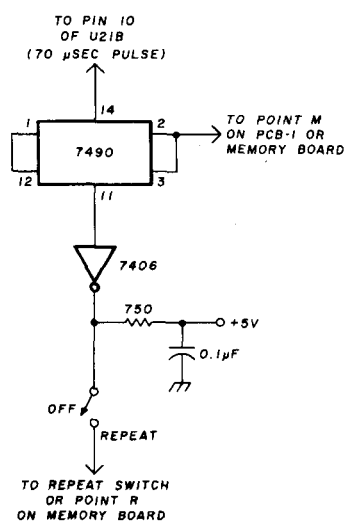
W7BBX memory keyer

Dear HR:

I have used the W7BBX memory keyer* with great success. Compared with the WB4VVF memory keyer (built by SP5JC) and other designs described in the European ham magazines, the W7BBX circuit is definitely the best. I would like to tell your readers of a small addition to the existing circuit which is especially valuable in meteor-scatter (MS) communications.

One inconvenience in the unmodified keyer is the necessity to completely fill the memory, because any empty memory space will show up as breaks in transmissions with repeated messages; such transmissions are used a great deal in MS operations. I used to try to completely fill the memory, but with some call signs and reports used in MS it was not always possible. Then you would either lose valuable time by sending nothing, or push the REPEAT button every few seconds, depending on the speed. The last method leaves no time for other aspects of MS work, such as listening through the recorded tapes at reduced speed while your keyer does the transmission sequence. I decided to add a circuit which senses the end of a message stored in the keyer memory and automatically REPEATS the message. The circuit is very simple and can be built on a small add-on PC board and wired into

the existing boards either above or between them. One additional switch on the front panel is necessary for switching the circuit in or out of operation, as shown below.



I also added a switch with a bank of multiturn precision adjustable potentiometers, each for a preset high-speed value. Using the original 2.2-μFd tantalum capacitor for C4 and 180 ohms for R6, I can use any speed up to 1000 letters per minute (LPM) simply by choosing the position of the speed switch, which replaces the original speed pot. One speed switch position switches in a multiturn pot with dial for "normal" variable-speed operation at conventional speeds. There are no keyer problems with transmission speeds up to 1000 LPM (higher speeds were not tried), but the time constants in the transmitter keying circuit should be carefully checked to ensure proper operation on the air. I'm using 5k and 20k pots for the preset speed trimmers; in Europe we use speeds around 500-700 LPM for MS, depending on the available speed reduction in the recorders at the other receiving end.

Another valuable feature of the W7BBX keyer is the remote start fa-

cility; I'm now using a pulse from the station electronic clock, which gives a pulse every 15 seconds, 30 seconds, 1 minute, or 5 minutes (the latter is still the most common transmit/receive sequence in European MS operation to handle the time-keeping). I now have plenty of time during a MS QSO, whereas before I had to be constantly on the alert, checking tapes, and looking at the clock.

Wes Wysocki, SP2DX
Gdansk, Poland

low-power wattmeter

Dear HR:

I recently built my own version of the low-power wattmeter described by WA4ZRP in the December, 1977, issue of *ham radio*. The electronics perform very well — I eliminated the need for carefully measuring the calibration resistors to 0.001 ohm by using 500-ohm trimpots with parallel and/or series resistors to make up the required ranges.

The key to the design, however, is the subminiature lamps. I was unable to find the correct voltage and current ranges for the stated generic types T 3/4 and CM units listed by the author. For those who have built similar units and have had difficulty finding the barreter lamps, the Sylvania 28ES will do (rated at least 28 volts and 40 mA with a resistance of 80 ohms); however, these lamps are somewhat large, as they're rated at 1.2 watt.

It may be possible to locate some of the subminiature 3-volt, 30-mA lamps, but you must first know the rated value of dc resistance (it is *not* voltage divided by current). I have sought this information from Chicago Miniature Inc. (who make the CM units mentioned in the article), but have had no response to date.

Gene Shapiro, W0DLQ
Leawood, Kansas

*Howard Batie, W7BBX, "Programmable Contest Keyer," *ham radio*, April, 1976, page 10.

A Knob with a new twist "VRS"TM

Swan Astro 150 Exclusive Microprocessor Control w/memory gives you over 100,000 fully synthesized frequencies, and more!

- VRS — Variable Rate Scanning, a dramatic new technique for unprecedented tuning ease and accuracy
- POWER — 235 watts PEP and CW on all bands for that DX punch
- Advanced microcomputer technology developed and manufactured in the U.S.A.
- Price? See your authorized SWAN dealer for a pleasant surprise!



Dual Meter
Reads PEP output in watts and receive "S" units.

Full Break-in CW
(or semi, switch selected)

Wide Frequency Coverage

- 10M — 28.0-30.0 MHz
 - 15M — 20.8-23.0 MHz
 - 20M — 13.8-16.0 MHz
 - 40M — 6.0-8.3 MHz
 - 80M — 3.0-4.5 MHz
 - 160M — 1.8-2.4 MHz*
- *in lieu of 10M band on Model Astro 151

Mike Tuning
For accurate 100 Hz steps or fixed rate scan.

PSU-5
Power Supply
with Speaker



THE MOST ADVANCED HF SSB TRANSCEIVER AVAILABLE.

FULLY SOLID-STATE **SWAN ASTRO 150**

SWAN
ELECTRONICS

A member of the Cubic Corporation family of companies.

305 Airport Road / Oceanside, CA 92054 / 714-757-7525

WARC results favorable to Amateur Radio

ALL PRESENT HF BANDS, THREE NEW HF BANDS, and a new UHF band were allocated to the Amateur Service as WARC 79 finished its work December 4. Despite some gloomy predictions of a major frequency loss by the Amateur Service, it's now been confirmed that Amateurs — at least in the U.S. — did not lose one kHz in the HF spectrum but instead picked up all three of the desired new bands! In the VHF spectrum preliminary press-time reports, believed complete and accurate, show equally good news for higher frequency enthusiasts. Band by band, here's the rundown from WARC 79 on the new Amateur spectrum through 1000 MHz.

160 Meters: In Region 1, 1800-1850 shared with Loran until Loran shuts down at the end of 1982, 1850-2000 shared with Fixed, Mobile, Radio Location and Radio Navigation (1850-2000 not available for Amateurs in Mexico and much of South America). 1800-1850 will be available to Amateurs in Region 1 for the first time, on a shared basis with Loran until its shutdown.

80/75 Meters: In Region 2, 3500-3750 Amateur Exclusive with the exception of Mexican and some South American Fixed and Mobile users, 3750-4000 shared with Fixed and Mobile — except for much of southern South America, which excludes Amateurs 3750-4000, and Canada and Greenland, which reserve 3950-4000 for a future Arctic region broadcast service on a non-interference basis.

40 Meters: 7000-7100 Amateur Exclusive worldwide, 7100-7300 Amateur in Region 2 only with the stipulation that Region 2 Amateur operation must not interfere with broadcast in Region 1 or 3.

30 Meters (new band): 10.10-10.15 MHz with Fixed Service Primary and Amateur Service Secondary, worldwide.

20 Meters: 14.00-14.35 unchanged, with several others joining Russia in footnotes reserving 14.25-14.35 for Fixed Services.

17 Meters (new band): 18.068-18.168 Amateur and Amateur Satellite are Exclusive (with a Russian reservation for internal Fixed Service use), but with the stipulation that Amateurs won't be permitted to move in until after all present users have moved!

15 Meters: No change, worldwide.

12 Meters (new band): 24.890-24.990 Amateur and Amateur Satellite are Exclusive, with the same restrictions as 17 Meters.

10 Meters: Unchanged, worldwide.

6 Meters: Unchanged, after earlier hope of some limited band being made available in Region 1 didn't materialize.

2 Meters: Unchanged (144-148 in Region 2, 144-146 elsewhere).

1.8 Meters: Amateur in Region 2 only, co-shared with Mobile and Fixed on an equal basis.

70 Centimeters: 430-440 MHz has Radio Location Primary, Amateur Radio Secondary in all Regions, with 435-438 Amateur Satellite. 420-430 and 440-450 shows Fixed and Mobile Primary in all Regions, but a footnote by the U.S. and several others allocates these additional frequencies to the Amateur Service on a Secondary basis. Similarly, 440-450 is allocated to Amateurs on a Secondary basis in a footnote by Canada and several others.

35 Centimeters (new band): A new UHF 902-928 MHz band, was allocated to Fixed, Mobile, ISM and others on a shared, Primary basis, with the Amateur Service Secondary. What this means to the Amateur Service in the U.S. is hard to predict, with interest high at the FCC in a new Personal Radio Service in this band.

Details on Amateur Microwave allocations were not available at press time, though it's almost certain that 1215-1300 saw some reduction. We should have a detailed rundown on the higher frequencies next month. There's no need to rush up any new antennas, as action on WARC results is probably a year or more away and implementation of frequency table changes even further off!

HANDICAPPED PROSPECTIVE AMATEURS won't be given special CW or written exams, the Commission decided recently in a session that held many implications for future Amateur rules. During the discussion there were several comments that CW was no longer much used by Amateurs, and Chairman Ferris suggested that since CW no longer seemed relevant to Amateur activities it should be dropped from the requirements for all Amateurs, not just the handicapped! As a result of this discussion there appears to be a distinct possibility that the commission could be planning to drop CW requirements above 144 MHz, in accordance with present ITU Article 41, and later implement further relaxations in line with the final WARC position on Amateur CW.

The Amateur Satellite Service was also discussed in the same commission meeting. After considerable discussion the go-ahead was given for a Notice of Proposed Rule Making to establish rules for Amateur satellite operation, based on present ITU Amateur satellite rules and the experience of AMSAT and the FCC with OSCARS 6, 7, and 8.

AMATEUR LICENSING AND RFI are both well covered in a draft of Senator Goldwater's Communications Act rewrite that's currently being circulated by Republican members of the Senate Communications Subcommittee. Under the proposed draft, which is being prepared for introduction early in this year's session, Amateur license terms would be extended to 10 years and the FCC could "use licensed Amateurs to administer license examinations and grant temporary licenses." The FCC would also have "the authority to require protective circuitry in consumer electronic equipment." Also covered in the draft is the subject of license fees.

THE OMNI SYSTEM — tools of the trade for serious DX operators, contesters, traffic, nets, or just rag chewing — designed to give you the operating edge.

Simply Super. The keynote of a Ten-Tec OMNI is simplicity of operation combined with super performance. No tricky controls, no distracting readings, no fussy adjustments. Your operating is pure enjoyment, unhampered by complexity, enhanced by features that are meaningful, advanced by options that are realistic.

Instant Band Change—to catch the openings. Just flip the bandswitch, no tuning the transmitter. A convenience originated by Ten-Tec in modern transceivers.

Full Break-In—for CW with perfect timing, for a real conversation in code. And slow break-in at the flip of a switch to suit band conditions or quiet mobile operation.

Ultra Selectivity—to fit any band condition. Standard 2.4 kHz 8-pole crystal ladder filter for normal reception; optional 1.8 kHz filter (\$55) operates in series with the 2.4 kHz filter to transform an unreadable signal in heavy QRM into one that gets the message through; optional 0.5 kHz 8-pole filter (\$55) provides steep, deep skirts to the CW passband window to cut out even those strong adjacent signals; standard 150 Hz CW active audio filters have three ranges (450, 300, 150 Hz) for further attenuation of adjacent signals and band noise.

Variable Notch Filter—to eliminate interfering carriers and CW signals. Attenuation is more than 8 "S" units (over 50 dB).

Six-Function Separate VFO—for complete versatility in working DX. Independent transmit and receive frequencies with OMNI; reversible at the touch of a button for full monitoring of the action. Even allows simultaneous reception on both VFO and OMNI with transmission on either. LEDs show status. An optional operating bargain at \$139.

Speech Processor and Microphone—to extend your operating range under adverse conditions by increasing average envelope power without derating the OMNI power limits and with minimum distortion. Model 234 is a true RF processor, model 214 is a peak-free condenser microphone. An optional system for optimum speech energy; 234 is \$124, 214 is \$39.

Electronic Keyer—key to perfect CW. Styled to match OMNI; self-completing; dit and dah memories with individual defeat switches; automatic variable weighting; adjustable magnetic paddle return; and more for just \$85.

Matching Power Supply—to completely power the OMNI system. Regulated, over-current protected, switched from OMNI or front panel, and only \$139.

Plus All These Famous Standard Features of OMNI—All Solid-State, 160-10 Meters, Built-in VOX and PTT, Dual-Range Receiver Offset Tuning, Wide Overload Capabilities, Adjustable Sidetone Tone and Level, Exceptional Sensitivity, 200 Watts Input, Adjustable ALC, 100% Duty Cycle, Phone Patch Interface Jacks, Zero-Beat Switch, "S"/SWR Meter, Dual Speakers, Plug-In Circuit Boards, Complete Shielding, Rigid Light-Weight Aluminum Construction, Comfortable Operating Size (5¾" h x 14¼" w x 14" d).

Model 545 Series B OMNI-A (analog transceiver) \$ 949

Model 546 Series B OMNI-D (digital transceiver) \$1119

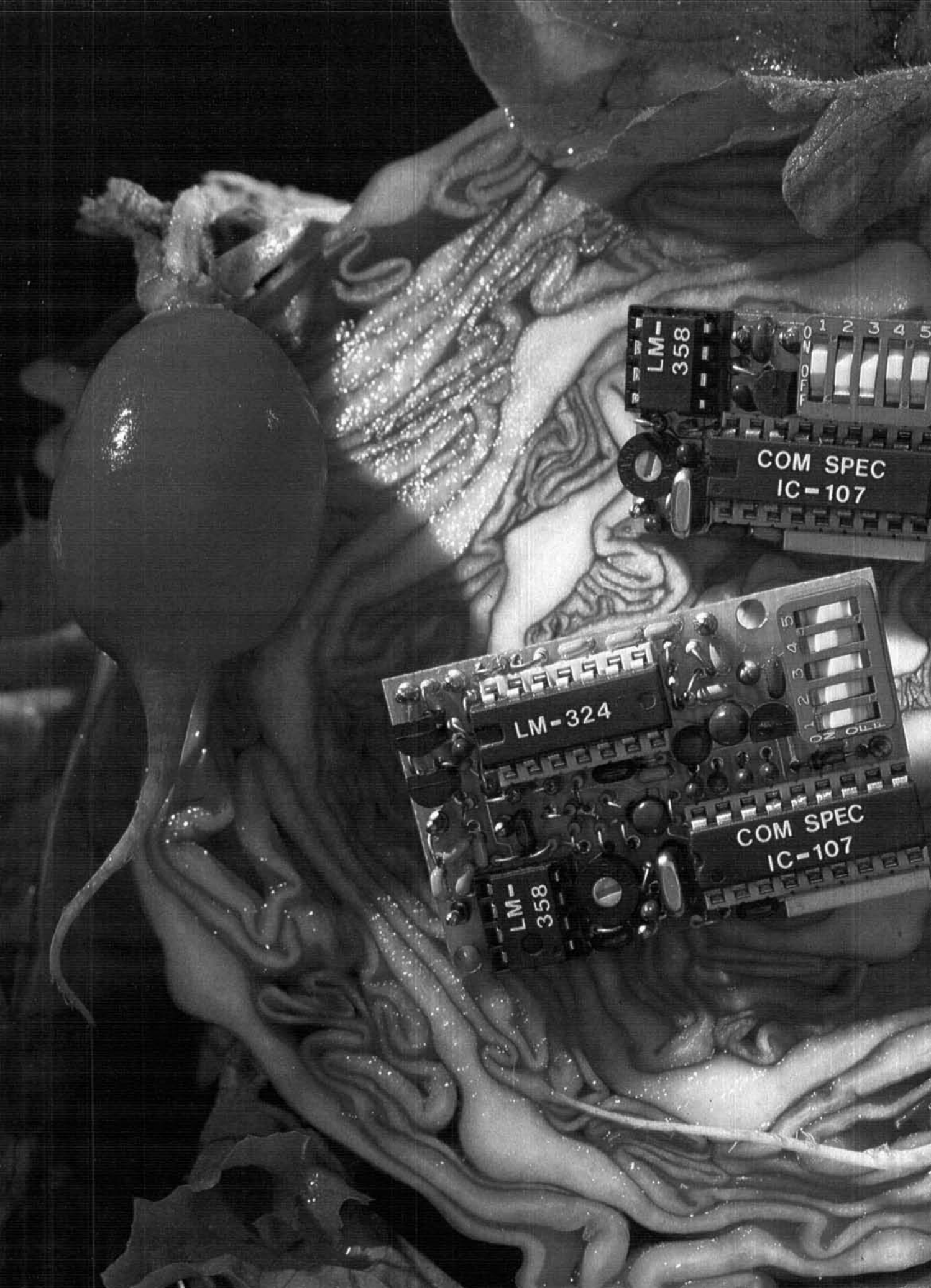
Get The Operating Edge — Get The OMNI System. See your Ten-Tec dealer or write for full details.



TEN-TEC, HF equipment supplier to
Winter Olympics Radio Amateur Network (WORAN)

THE OPERATING EDGE





LM-358

COM SPEC
IC-107

LM-324

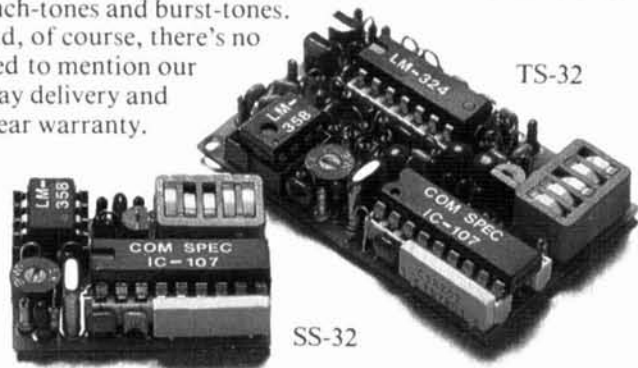
LM-358

COM SPEC
IC-107

A fresh idea!

Our new crop of tone equipment is the freshest thing growing in the encoder/decoder field today. All tones are instantly programmable by setting a dip switch; no counter is required. Frequency accuracy is an astonishing $\pm .1$ Hz over all temperature extremes. Multiple tone frequency operation is a snap since the dip switch may be removed. Our SS-32 encode only model is programmed for all 32 CTCSS tones or all test tones, touch-tones and burst-tones.

And, of course, there's no need to mention our 1 day delivery and 1 year warranty.



TS-32 Encoder-Decoder

- Size: 1.25" x 2.0" x .40"
- High-pass tone filter included that may be muted
- Meets all new RS-220-A specifications
- Available in all 32 EIA standard CTCSS tones

SS-32 Encoder

- Size: .9" x 1.3" x .40"
- Available with either Group A or Group B tones

Frequencies Available:

Group A			
67.0 XZ	91.5 ZZ	118.8 2B	156.7 5A
71.9 XA	94.8 ZA	123.0 3Z	162.2 5B
74.4 WA	97.4 ZB	127.3 3A	167.9 6Z
77.0 XB	100.0 1Z	131.8 3B	173.8 6A
79.7 SP	103.5 1A	136.5 4Z	179.9 6B
82.5 YZ	107.2 1B	141.3 4A	186.2 7Z
85.4 YA	110.9 2Z	146.2 4B	192.8 7A
88.5 YB	114.8 2A	151.4 5Z	203.5 M1

- Frequency accuracy, $\pm .1$ Hz maximum - 40°C to + 85°C
- Frequencies to 250Hz available on special order
- Continuous tone

Group B		
TEST-TONES:	TOUCH-TONES:	BURST-TONES:
600	697 1209	1600 1850 2150 2400
1000	770 1336	1650 1900 2200 2450
1500	852 1477	1700 1950 2250 2500
2175	941 1633	1750 2000 2300 2550
2805		1800 2100 2350

- Frequency accuracy, ± 1 Hz maximum - 40°C to + 85°C
- Tone length approximately 300ms. May be lengthened, shortened or eliminated by changing value of resistor

Wired and tested: TS-32 \$59.95, SS-32 \$29.95

 **COMMUNICATIONS SPECIALISTS**

426 West Taft Avenue, Orange, California 92667
(800) 854-0547 / California: (714) 998-3021



video console for ATV

A project for
Amateurs interested
in improving
their fast-scan
television stations —
three video generators,
a special-effects generator,
and a simplified form of
Gen-Lock are described

The video console project began after I'd completed a solid-state ATV transmitter. I had no way of knowing how it was performing except by having other ATVers try to "talk me in" on alignment. I soon learned this was almost impossible.

I discussed my problem with Bill Parker, W8DMR, another ATV ham, and he suggested that I needed a few test generators. So I consulted *A5* magazine and found articles on two generators.^{1,2} After running some tests and reading a book by Tektronix,³ I found a need for one more generator so that I could check 99 per cent of my new transmitter. I then designed a pulse and bar generator. After this I thought, "Boy, wouldn't it be nice to have some special effects, such as a video switcher." After a short time I had it operational.

the video console

The video console consists of three function generators, a video switcher, and a Glen-Lock circuit. All can be locked to either external or internal sync or to a composite video signal. Everything is contained on five PC boards and powered by a single 12-volt supply.

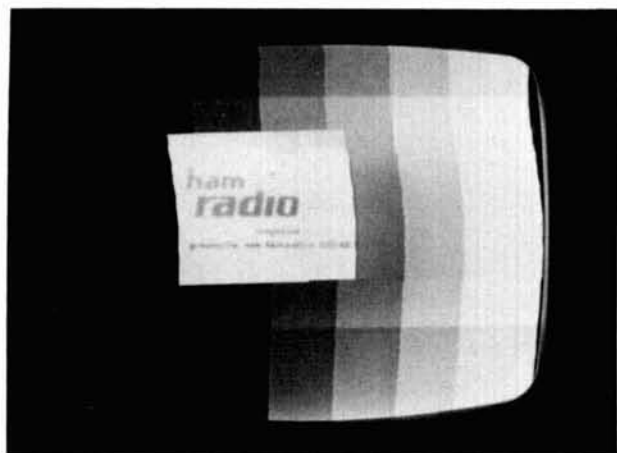
The function generators are multiburst, gray scale, and pulse and bar. The multiburst generator creates a frequency-burst pattern on the TV screen of white to the extreme left followed by a low-frequency signal of 0.5 MHz, then 1.7 MHz and 3.4 MHz signal. The extreme right of the TV screen shows a 4.5-MHz burst frequency (see **photo D**).

The multiburst generator can be used to check bandwidth of video equipment such as amplifiers, TV transmitters and tape recorders. It can also be used with oscilloscopes. Just insert the multiburst generator output into the input of the equipment under test and look at the results on the TV screen or on an oscilloscope (see **photo E**). **Photo F** shows high-frequency rolloff, and **photo G** shows the middle frequencies with too much gain. These test patterns depict only a few of the results, but **photo E** is the best example.

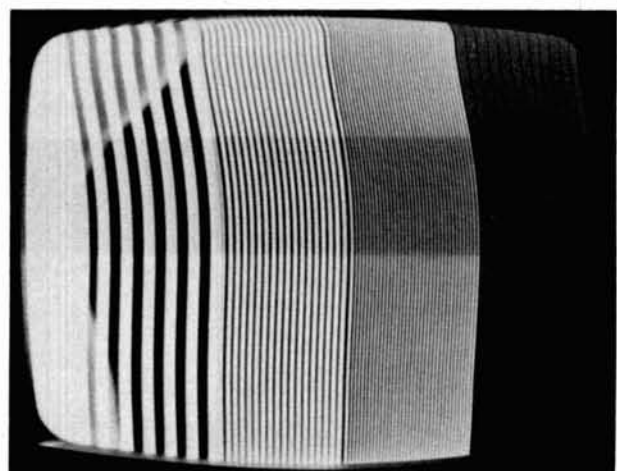
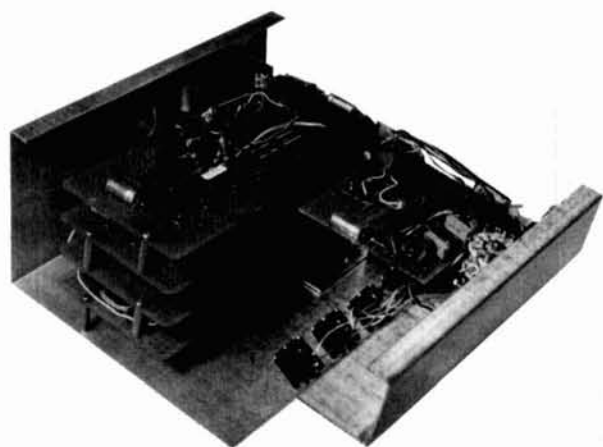
The second generator is a gray-scale (staircase) generator. It produces a pattern on the TV screen, as seen in **photo H** from left to right, in seven shades of gray. The staircase generator is used to check your video-system linearity. It shows if the white or black video is being compressed (see examples in **photos I** and **J**). If you insert the gray-scale generator into a video modulator or other video input, you should see a gray scale as in **photo H**. If you look at the gray-scale generator output on the oscilloscope, you'll see a staircase pattern as in **photo K**.

The third generator is called a "pulse and bar." It produces a white pulse on the left-half, and a white box in the right-half, of the TV screen. Its function is to check for high- and low-frequency bandpass characteristics. The pulse and bar generator output as seen on the TV screen is shown in **photo L**. On an

By Charles A. Beener, WB8LGA, 2548 SR 61,
Marengo, Ohio 43334



Photos A and B: Special effects that can be generated by the video console. Photos by WB8HXR.



Photos C and D: Inside view of the video console, left. At right, multiburst generator output as seen on TV screen.

oscilloscope, you see a wave form as shown in photos M and N.

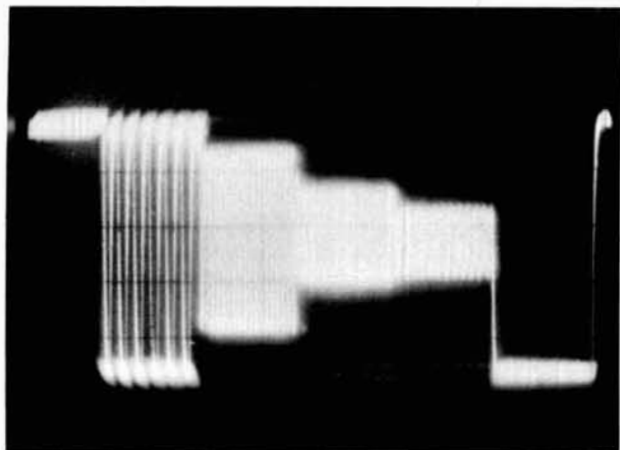
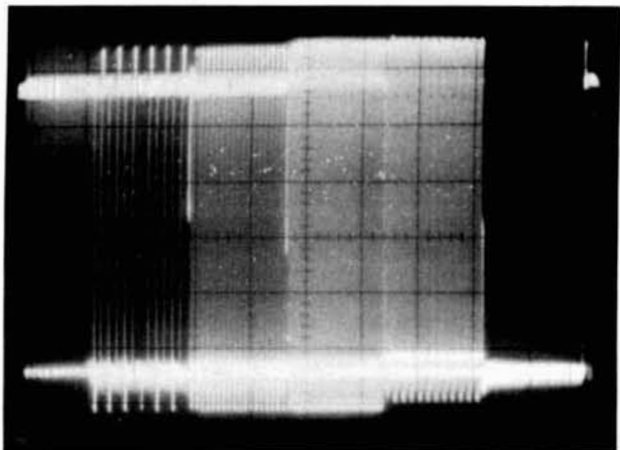
circuit description

The following is a description of the five circuits that compose the video console. They consist of the multiburst generator (A1 board), gray-scale generator (A2 board), pulse and bar generator (A3 board), video switcher (A4 board), and Gen-Lock (A5 board).

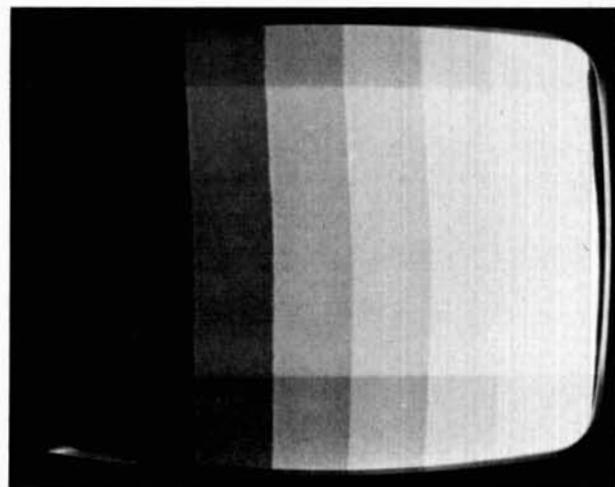
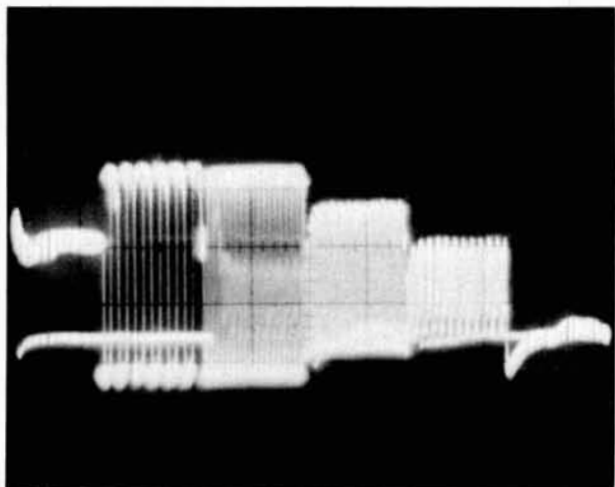
Multiburst generator (A1 board). This circuit is shown in fig. 1. Referring to fig. 1, U9 is a free-running oscillator whose frequency is 3.402 MHz. U9 drives U1 and U2, a divide-by-three counter with an output frequency of 1.134 MHz. U2A drives U2B, a divide-by-two counter whose output is 0.567 MHz. U2B output drives a divide-by-six counter, U3A, U3B, and U4, whose output frequency is 94.5 kHz. This signal drives a six-stage shift register that shifts the gating from left to right on the screen. The five *H*

signals (fig. 1) drive the five NAND gates, U8A, B, C, D, and U9C. One section of U1A is fed to U1B, a divide-by-two counter with an output of 1.7 MHz. The same signal is fed to U8D. The output of U2A, 1.134 MHz, feeds U9A, which drives U9C. All U8 and U9C outputs are NANDed into U12. They are controlled by H1, H2, H3, H4 and H5, and are turned on, one at a time, by the 6-stage shift register. The sum results in an output from U12 of the first high signal followed by a 0.567-MHz signal, 1.7 MHz-signal, 3.4-MHz signal, then a 4.5-MHz signal. This occurs in 54 μ s. This time, plus that of the horizontal sync pulse, is equal to 63.5 μ s, which is the time required for one horizontal sync line on the TV screen.

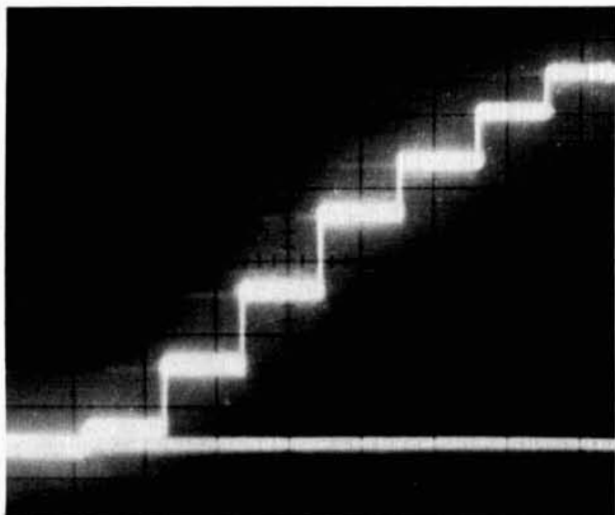
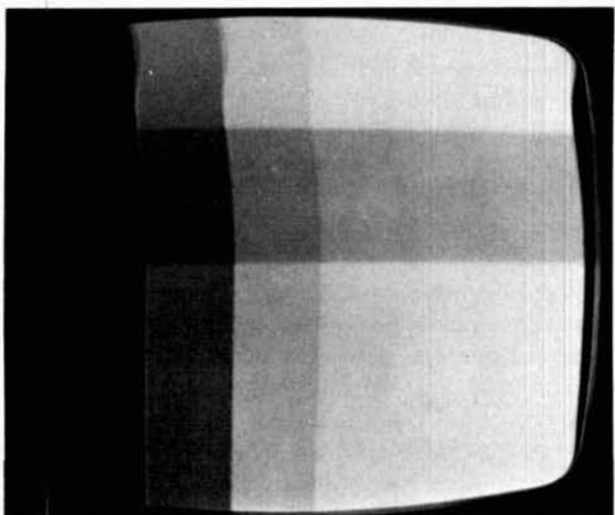
The sequence repeats until a vertical sync pulse appears on U10, pin 1. U10 is a one-shot. U10 provides a 1-ms pulse, which resets the 6-stage shift register at U5A, pin 4. U10 Q output (pin 1) is used for vertical blanking. The output of U7B, pin 6, is a horizontal timing pulse. It is NANDed at U10 pin 1 and is the vertical timing pulse for the composite sync. The



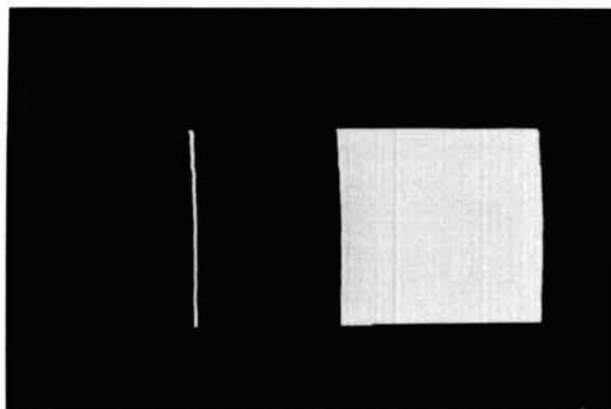
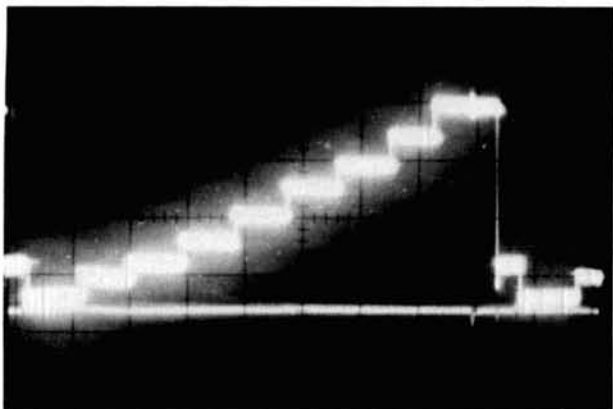
Photos E and F: Oscilloscope test pattern showing output of the multiburst generator, left. At right, multiburst generator test pattern showing high-frequency rolloff.



Photos G and H: Another test pattern of the multiburst generator showing excessive gain at the middle frequencies, left. At right, output of the gray-scale (staircase) generator as seen on the TV screen.



Photos I and J: Gray-scale generator output showing white video being compressed on TV screen, left. At right, oscilloscope test pattern showing gray-scale generator output. White video compressed.



Photos K and L: Gray-scale generator output shown on oscilloscope, left. At right, pulse and bar generator output as seen on the TV screen.

composite video outputs appear at R15.

Gray-scale generator (A2 board). The main oscillator is U1 (fig. 2). Its frequency, 126 kHz, is determined by C1, R1. U1 output is fed to U2, a divide-by-eight counter. Counter output is NANDed at U1A, which drives U1B. This stabilizes the oscillator by the horizontal sync pulses on U2 pins 2 and 3. (U2 is a decade counter.) Each time the horizontal sync appears on U2 pins 2 and 3, the counter is reset to all zeroes. The three outputs from U2 also drive two hex inverters, whose output provides a staircase at the output. (See photo K.)

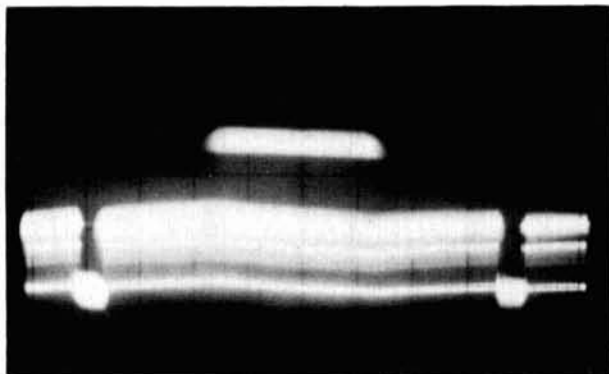
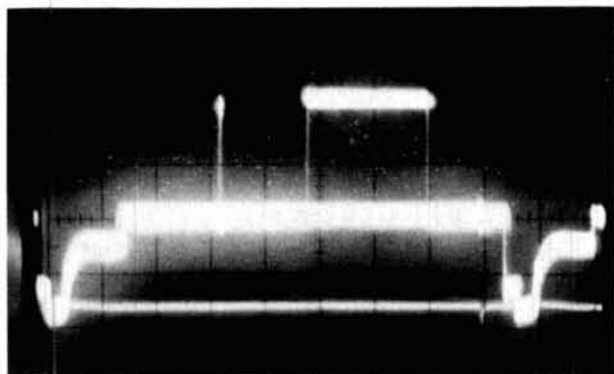
From pin 8 U2 drives U4, pins 3 and 4. U4 is a delay trigger, which drives U5. U5 provides an output 11- μ s wide of horizontal sync. The sync and video are mixed by R9 and by R10, which is the video-output pot. The A2 board also contains the oscillators for the horizontal and vertical sync. These are common NE-555 timers, U6, and U7.

Pulse and bar generator (A3 board). The generator works on the principle of the one-shot delay, using 74121s. The horizontal sync feeds U3, U4, U5 (fig. 2). The time delay is from the horizontal sync

pulse. The amount of delay is determined by the one-shot RC time constant. U3 provides the start of the bar; U4 provides the stop of the bar. U5 positions the pulse on the screen. U3 and U4 outputs drive U1A and U1B, a set and reset latch. This latch output is equal to the bar width.

The vertical sync triggers U6 and U7. U6 and U7 drive a set and reset latch U1C and U1D. U6 delay determines where the top of the pulse and bar signals start. The bottom of the pulse and bar signal is determined by U7. The output of U1D, pin 11, are NANDed together through U2A and U2C. The pulse and bar signals are mixed in R17. Output is obtained through R19. The horizontal sync signal is 4 μ s wide and is resistor mixed to make the horizontal sync tips. The same input drives U8, a 11- μ s-wide pulse for the horizontal sync front and back porch. It is also resistor mixed through R20.

Video switcher (A4 board). The switcher (fig. 3) works almost on the same principle as the pulse and bar generator. U1, U2, U3, and U4 perform the same job as U3, U4, U1, U6, and U7 in the pulse and bar generator. The outputs of U5, pins 6 and 11, are NANDed in U6A. U6A output drives U7B and U6B. U6B is an inverter that drives U7A. In other words,



Photos M and N: Pulse and bar generator output shown in one horizontal time period, left. At right, pulse and bar generator output shown in one vertical time period.

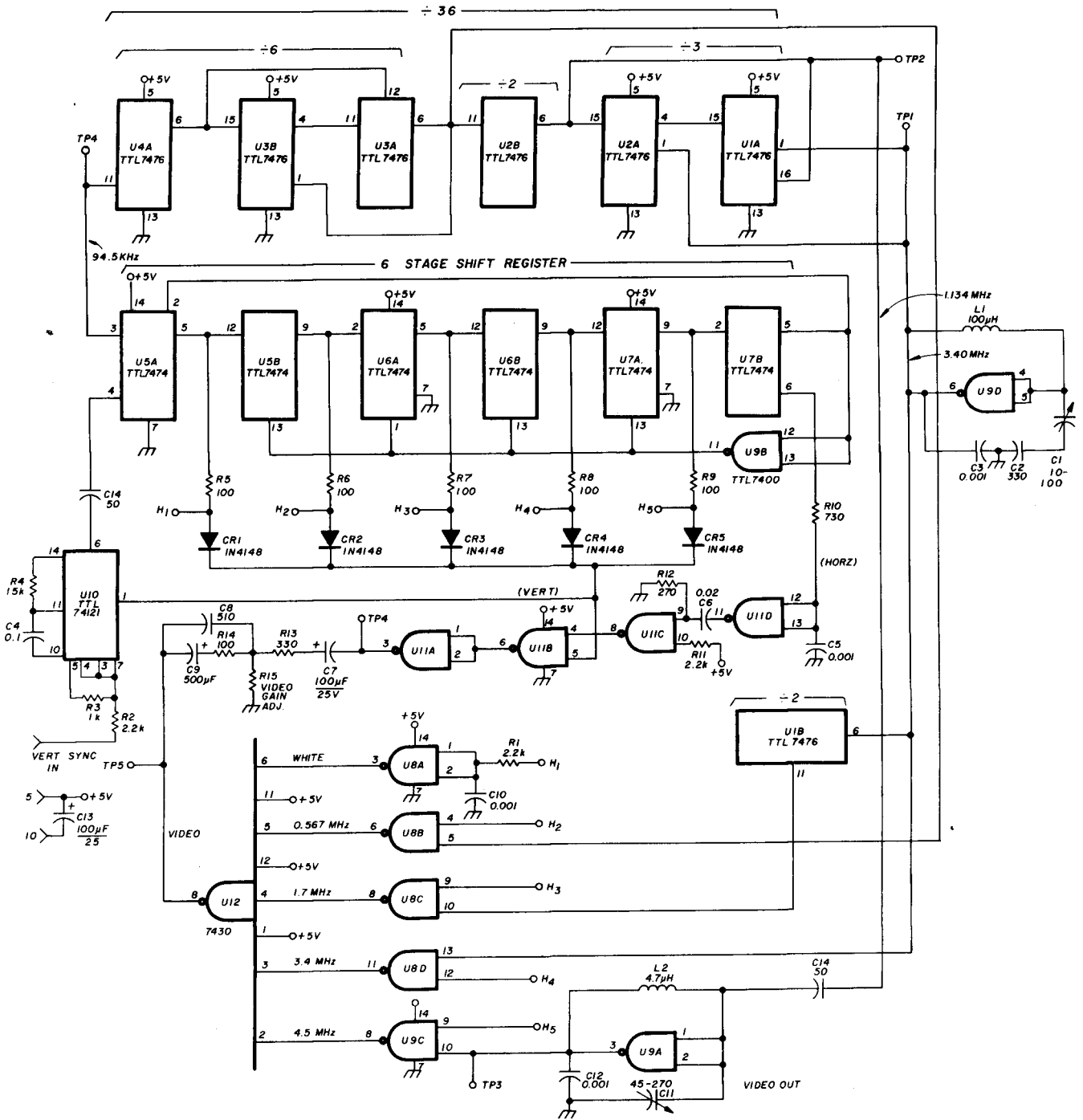


fig. 1. Multiburst generator schematic (A1 board).

only one section of U7 is on at any one time. Window-positioning pots R1-R4 control the vertical and horizontal start and stopping position of the switched video.

The video switcher, U7, is a CMOS IC. A low on pin 5 turns off the switcher between pins 3 and 4. If you put a high signal on pin 5 the switch turns on. Now it acts as if a 300-ohm resistor were placed be-

tween pins 3 and 4. (This CMOS IC is a CD 4016, but a CD 4066 can be used.) Switcher U7 outputs are tied together and run into a 74C04 inverter used in linear mode. The output of U7 is positive video to be amplified, so it was necessary to run it through two inverters. The output of a CMOS IC doesn't like a 100-ohm load, so it's buffered with an emitter follower, Q1.

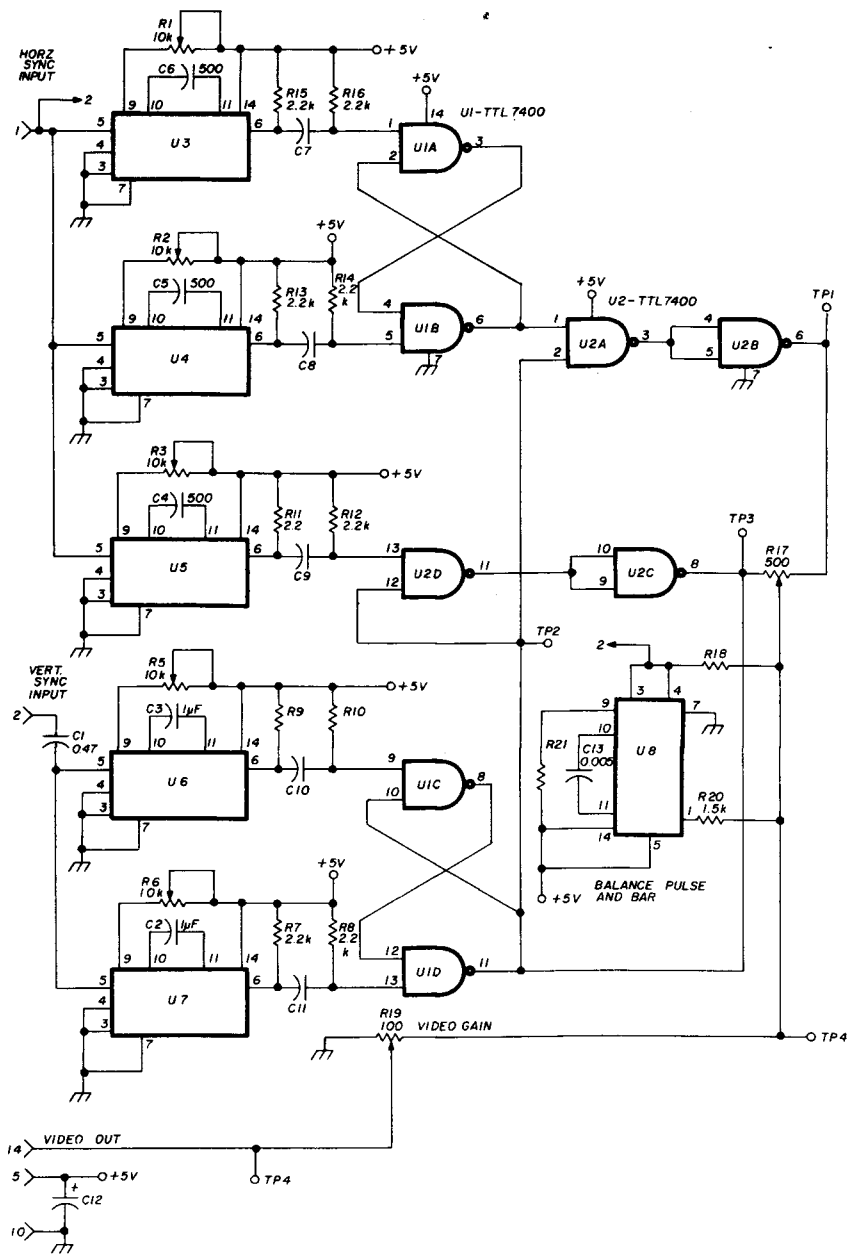
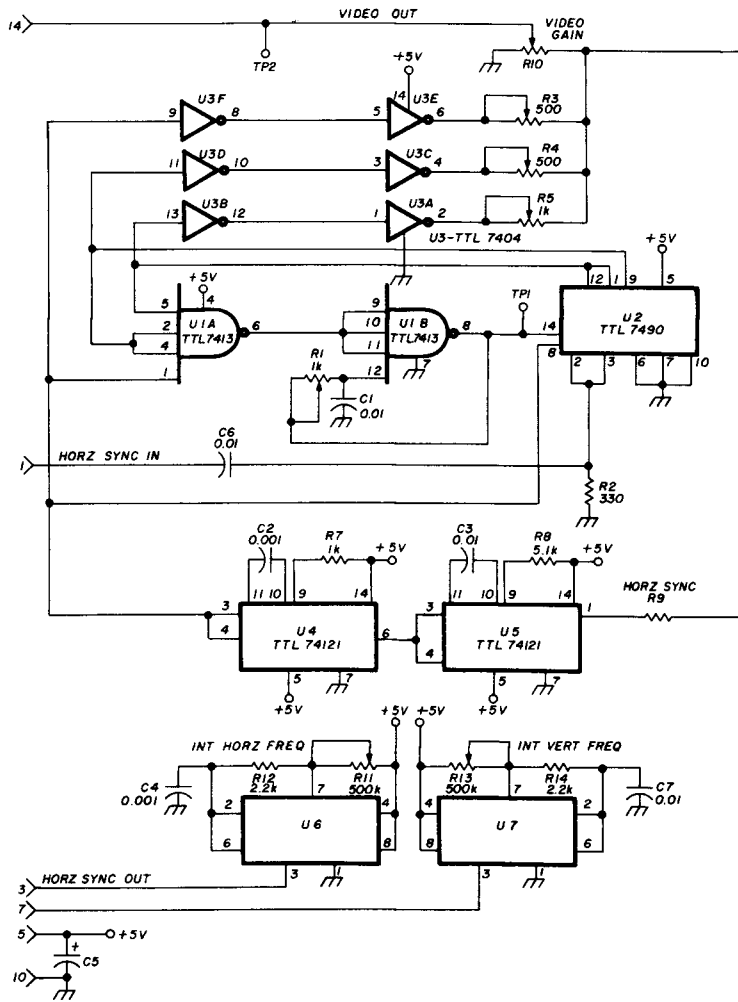


fig. 2. Above: Gray-scale generator schematic (A2 board).
 At right: Pulse and bar generator schematic (A3 board).

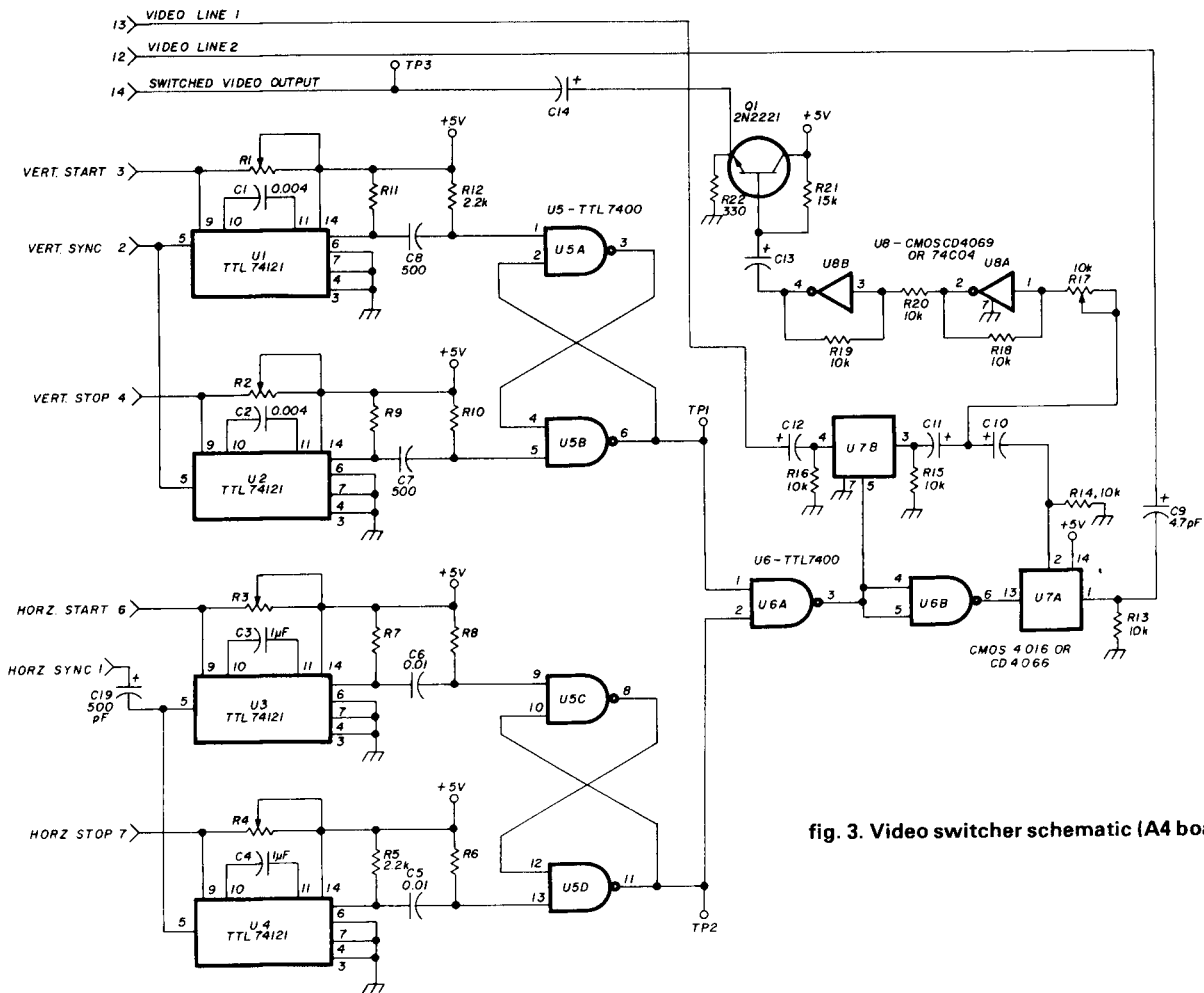
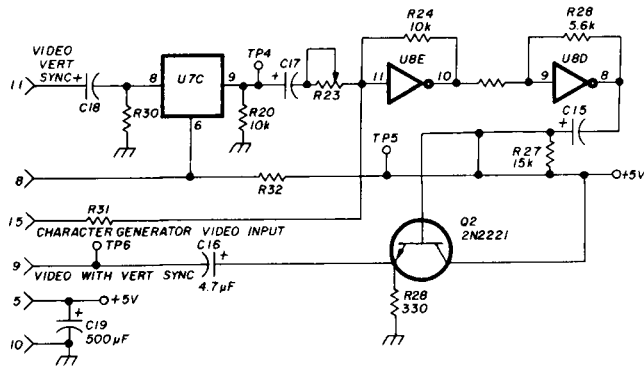


fig. 3. Video switcher schematic (A4 board).

The vertical sync blanker and dc restorer circuit are on the video switcher board. U7C is a switch controlled by the vertical sync pulse. Any video coming in at A4 pin 11 will be blanked during the vertical sync interval. After this, the video is reamplified through U8 and is applied to emitter follower Q2. At the base of Q2, the vertical sync pulse is reinserted to take the

vertical base line down to the correct reference. The character generator video input is inserted at U8 pin 11, through R31.

Gen-Lock (A5 board). The video input enters on A5 pin 1 (see fig. 4). It drives Q1, a sync stripper. Q1 removes all the video, and only composite horizontal and vertical sync signals remain at the Q1 collector.

The sync signals are run through RC filter R4, C3, C4, R5. The vertical sync drives Q2, an amplifier, whose output is applied to the sync selector on the front panel.

The horizontal sync is applied to U1, a phase-locked loop. The IC is a PLL567, which is tuned for 15,750 kHz. This IC is a tone decoder. When it's locked onto an incoming signal, it has a dc output at pin 8. There's also a signal at U1 pin 5. This signal has the same frequency as the incoming signal during lock. U1 pin 5 output is then used as the horizontal sync in the generator and goes to the sync selector switch.

The sync-selector switch output is fed to amplifier Q3 for vertical; Q5 for horizontal. U2 is a Schmitt trigger for fast trigger timing. Q4 is a buffer for the vertical sync. Q4 output drives all the vertical and/or horizontal inputs of boards A1-A5.

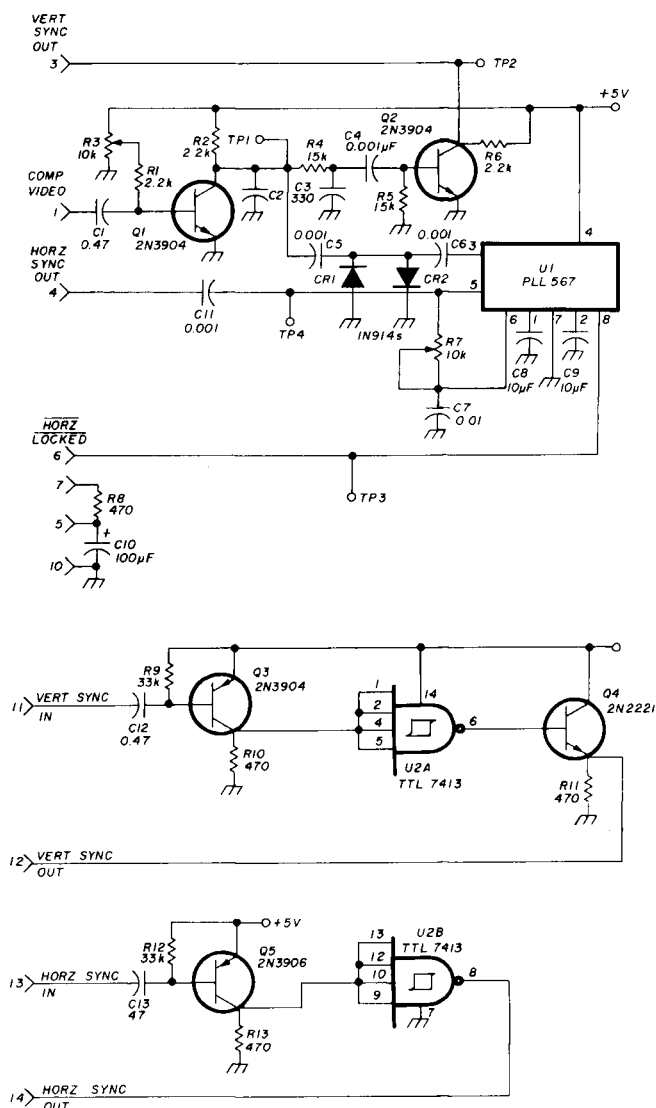


fig. 4. Gen-Lock schematic (A5 board).

interconnections

Fig. 5, the main board, shows how to tie it all together. A shows sync-selector switch connections. B shows how to interconnect the rotary function-generator switches to the five PC boards. C shows the interface between the window-position controls and video switcher/Gen-Lock boards.

adjustments

Multiburst generator (A1 board).

1. Adjust C1 for an output frequency of 3.402 MHz at U9 pin 6 or for horizontal locked sync on TV when video is fed into the TV.
2. Adjust C11 for an output of 4.5 MHz on U9 pin 3.
3. Adjust R15 for video gain. It should be 1-volt p-p at A1, pin 14.

Gray-scale generator (A2 board).

1. Adjust R1 for 126 kHz at test point 1, or for seven shades of gray on the TV screen.
2. Adjust R10 video gain for 1 volt p-p video at test point 2.
3. Adjust R11 for 15,750 kHz at U6 pin 3.
4. Adjust R13 for 60 Hz at U7 pin 3.
5. Adjust R3 for approximately 75 ohms.
6. Adjust R4 for approximately 250 ohms.
7. Adjust R5 for approximately 600 ohms.
8. Adjust R3 = R5 for the best linearity of output video.

Pulse and bar generator (A3 board).

1. Adjust R1 for vertical position of left side of bar on TV screen.
2. Adjust R2 for vertical position of right side of bar on TV screen.
3. Adjust R3 for vertical position of pulse (see photo L).
4. Adjust R5 for horizontal position of top part of pulse and bar.
5. Adjust R6 for horizontal position of top part of pulse and bar.

Video switcher (A4 board).

1. Adjust R23 for 1.5 volts p-p video at output of test point 6 when you have 1 volt at input.
2. Adjust R17 for 1 volt at test point 3. R1-R4 are front-panel controls but could be preset pots on board.

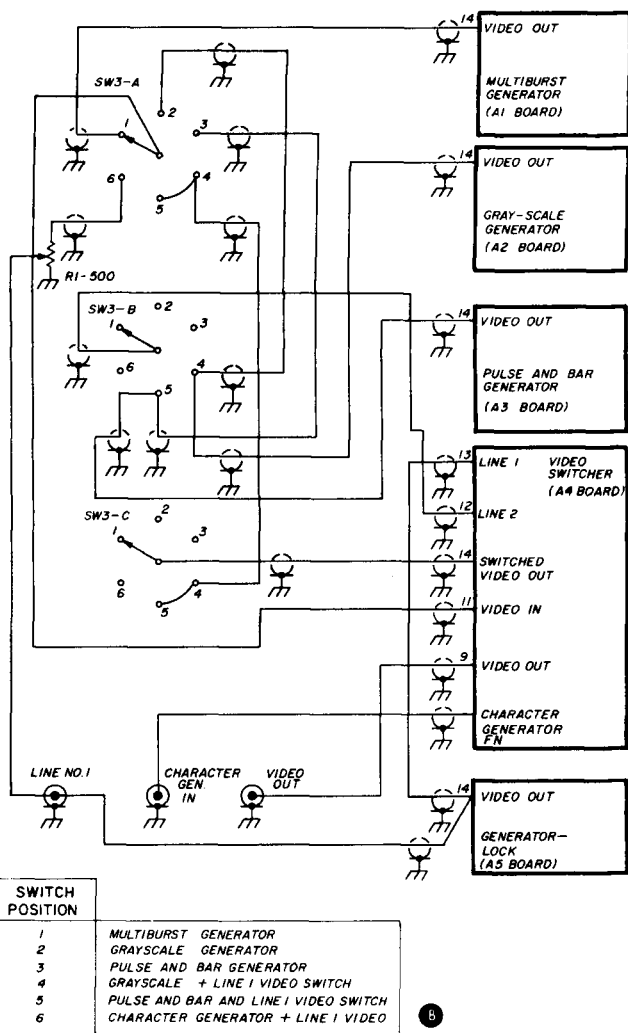
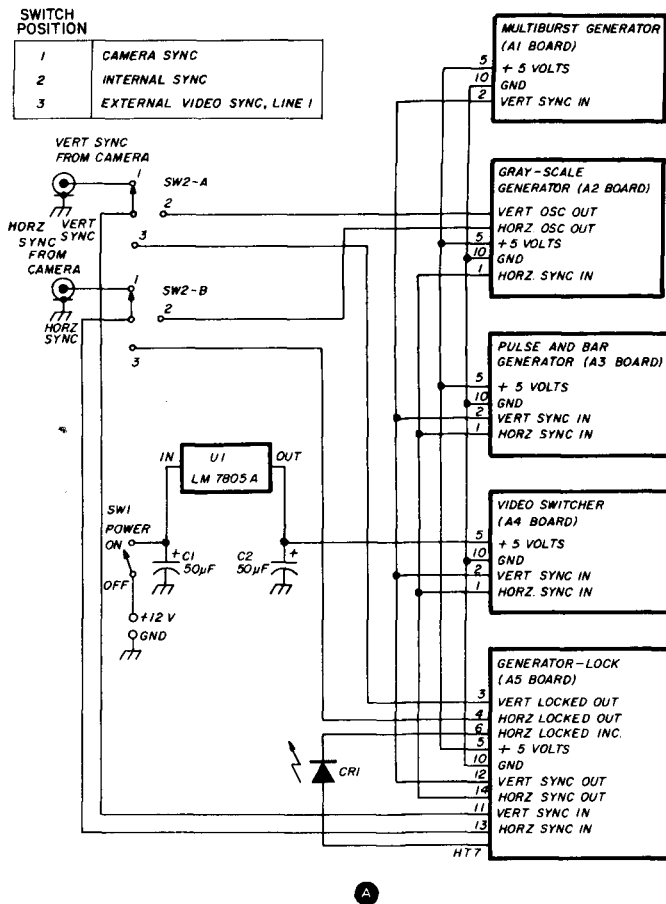


fig. 5. Circuit-board interconnections. (A) shows switching between horizontal and vertical sync signals from camera and the five PC boards. Function-generator switch logic is shown in (B). Interface between window-position controls and video switcher-Gen-Lock inputs is shown in (C).

Gen-Lock (A5 board).

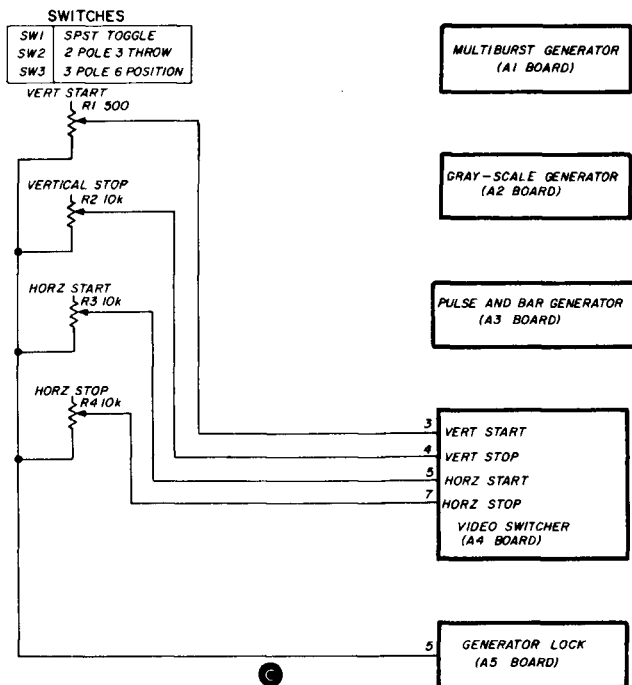
1. Adjust R3 for clipping of video at test point 1.
2. Adjust R7 for 15,750 kHz at test point 4 with no video input at A5 pin 1.

This video console was constructed on five PC boards, one for each generator. It was done this way for ease of construction and system checkout. You can use any one of the generators or switches by itself. Just insert the vertical and horizontal sync signals and the +5 volts to the board you want to use. I've had very good results with this console and a lot of fun in its construction and use.

references

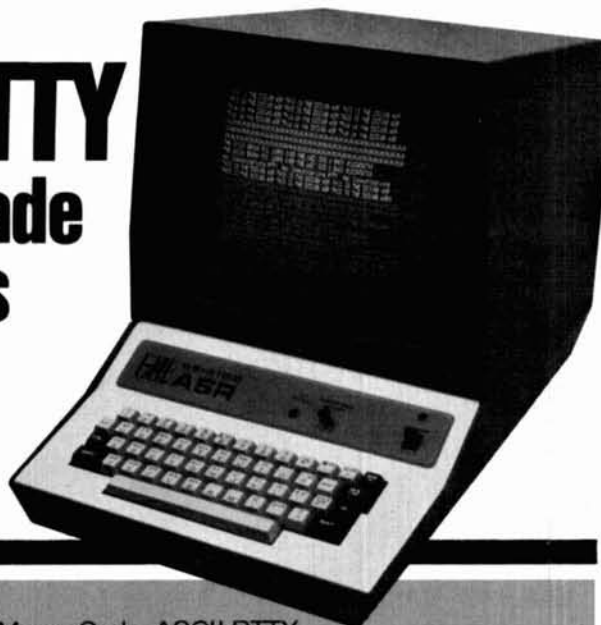
1. W. E. Parker, WBDNR, "A Multiburst Generator," *A5* magazine, September-October, 1973.
2. Al Lipkin, K3AEH, "Let's Build A Staircase To The Bars," *A5* magazine, May-June, 1977.
3. Gerald A. Eastman, *Television Systems Measurements*, Tektronix, Inc., September, 1969.

ham radio



UNSURPASSED RTTY

No other RTTY terminal made gives you ALL the features of our new DS3100 ASR:



- TX/RX operation with 3 codes: Baudot RTTY, Morse Code, ASCII RTTY
- Storage buffers for 150 lines of RX storage and 50 lines of TX storage
- The HAL "original" split screen shows both RX and TX buffers or whole screen for RX
- Ten programmable "Here Is" messages can be chained from one to next
- The EAROM allows power-off storage of 2 "Here Is" messages and terminal operating conditions
- Programmable WRU answer-back and selective-call features
- Separate CW identification key for RTTY operations
- Automatic TX/RX control with KOS plus 4 keyboard controlled accessory switches
- Internal real time clock keeps 24 hour time plus date
- Newly developed CW receive circuitry and programs give superior CW reception
- New green, P31 phosphor display screen gives clear, eye-easing viewing
- On-screen status indicators give continuous display of terminal operating conditions
- Word-Wrap-Around prevents splitting of words at end of display line
- Continuous, line, and word modes offer flexibility in editing transmit text
- Attractive streamlined metal cabinet gives effective RFI shielding from transmitters

Here Are More DS3100 ASR Specifications that Give You State-of-the-Art RTTY Operation:

QBF and RY test messages ■ Loop and RS 232 RTTY I/O ■ Plus or minus CW key output ■ 25 pin EIA modem connector ■ Half or full duplex ■ Upper-lower case ASCII ■ All ASCII control codes ■ Optional line printer for all codes ■ Selectable ASCII parity ■ 110 to 9600 baud ASCII ■ 45 to 100 baud Baudot ■ 1 to 175 WPM Morse receive and transmit ■ UnShift on space for Baudot ■ SYNC idle for RTTY and Morse ■ Break key for RTTY ■ Tune key for Morse ■ Automatic CR-LF ■ 120/240 v, 50/60 Hz power ■ Custom labeled key tops show control operation ■ Copy receive text into transmit buffer ■ TX flags allow segmenting of TX buffer ■ One year warranty

PRICE: \$1995.00



HAL COMMUNICATIONS CORP.
Box 365
Urbana, Illinois 61801
217-367-7373

For our European Customers Contact:
Richter & Co., D3000 Hannover 1
I.E.C. Interelco, 6816 Bissone/Lugano

*Write or give us a call.
We'll be glad to send you our
new RTTY catalog.*

Yagi antenna design: performance calculations

Development of a
mathematical model
of the Yagi antenna
for computing antenna gain,
front-to-back ratio,
and operational bandwidth

Since its invention by H. Yagi and S. Uda of Tohoku University in 1926,¹ the Yagi-Uda antenna — commonly referred to as the *Yagi* — has received a great deal of theoretical and experimental attention. The Yagi has also become the most widely used Amateur Radio communications antenna, not only because of its excellent performance characteristics over the rather narrow frequency bands occupied by Amateurs, but also because of its remarkable tolerance to construction variations and even construction faults; it is an antenna that “wants to work.”

Those readers who are interested in the theoretical basis of Yagi linear array antennas should take a look at the excellent book published in 1954 by S. Uda and Y. Mushiake;² this book is highly recommended and contains sixty-six relevant references. There are several other excellent reference works on the Yagi including those by Kraus,³ King,⁴ and Walkinshaw;⁵ for those interested in the experimental side of Yagi arrays, attention is drawn to Ehrenspeck and Poehler,⁶ Lindsay,⁷ Greenblum,⁸ and Viezbicke.⁹ Reference 9, National Bureau of Standards *Technical Note 688*, describes the results of a decade-long NBS experimental investigation of Yagi antennas. Although this study represents one of the most complete and relevant sources of information on the Yagi, the report is flawed by inconsistencies, incom-

plete experimental information, and above all, measurement techniques which are sensitive to the effective height of ground midway between the transmitter and receiver. Nevertheless, the rich range of experimental results in NBS *Technical Note 688* provide an excellent area to test the validity of theoretical ideas.

It appears to me that designers of a high-performance Yagi array are faced with four facts:

1. Accurate antenna experiments are very difficult to make, especially if the antennas are designed to be used over earth. There are many variables, and it is difficult (if not impossible) to avoid unwanted reflections. Also, accurate instrumentation is simply not available for many of the quantities to be measured (current distribution in the parasitic elements, for example).

2. Conceptual design ideas are often misleading: e.g., the concept of “optimum element spacing.” Optimum, indeed, but with respect to what?

3. Practical design of real antenna components in some cases does not exist; a physically “tapered” element, for example, must be significantly longer than an equivalent cylindrical element, but by how much?

4. A good theoretical basis for design is uncertain. First of all, a real antenna must be simulated by a simplified physical model; the accuracy of the final result depends crucially on the excellence of this physical simulation or model. Secondly, the physical model, in conjunction with accepted physical laws and a modern computer, is used to compute the electrical performance of the Yagi model, i.e., the parasitic element (parasite) currents first, and the spatial radiation pattern second. Since both computations involve simplifying approximations, overall accuracy depends directly on the excellence of physical modeling and the accuracy of the necessary mathematical approximations which are made.

I shall attempt to address each of these four items over the next several months. I have broken the subject down into six major categories, listed below, which will be covered in separate articles.

By James L. Lawson, W2PV, 2532 Troy Road,
Schenectady, New York 12309

1. Modeling and computational methodology
2. Simple Yagis; free-space performance
3. Earth (ground) effects
4. Preferred designs
5. Scaling and construction corrections; specific designs
6. Stacking, screening, and scattering

I shall address the subject primarily in terms of antenna arrays which are most useful in the frequency range from 5 to 30 MHz, including designs ranging in size up to the largest practical levels. "Conventional" Yagi components will generally be used, but there will be some discussion of quads and of the quad-Yagi hybrid known as the *quagi*. For convenience, I will use horizontal polarization unless otherwise stated.

antenna properties

Before beginning an investigation of antenna characteristics it is necessary to define design criteria; what antenna properties are important and how can those properties be defined in quantitative terms? The antenna *user* is concerned with several properties:

1. Antenna gain G or directivity
2. Pattern (including front-to-back ratio, F/B)
3. Bandwidth
4. Feedline matching or standing-wave ratio
5. Cost
6. Longevity (wind survival, corrosion resistance, etc.)

Of these, the first four are *electrical* properties; the last two depend basically on construction engineering and will not be discussed further. Feed-line match (item 4) is controlled, at one frequency at least, by the matching system which transforms the antenna driving-point impedance to the transmission line's characteristic impedance. We are interested in the *inherent* driving point bandwidth of the antenna, specifically the actual driving-point impedance and its behavior with frequency.

Antenna gain, pattern, and bandwidth (items 1, 2, and 3) must be defined rather carefully. The gain (and directivity) is clearly of paramount importance; I shall use the definition of isotropic gain for all situations, *i.e.*, the ratio of *maximum* radiated energy flux density (at the "best" elevation angle) to the average radiated energy flux density (averaged over the 4π solid angle). This is equivalent to using an isotropic reference antenna in free space.

While the antenna's complete spatial pattern is of concern to the user, it is basically not practical to measure it or to specify it. The pattern characteristics of primary interest are the angular widths (horizontal and vertical) of the main beam and the amount of back radiation. The beam widths are rather accurately and simply determined by the antenna gain or directivity (see Kraus, page 253).

Radiation in the rear hemisphere is usually variable and consists of one or more lobes. Perhaps the single most meaningful measure of rear radiation is the front-to-back ratio, or F/B , but we must define where the front wave is to be measured (elevation angle), where the back wave is measured, and what property of the waves is used to obtain the ratio. One popular concept is to plot the field strength, E , pattern of the antenna in free space and compute the ratio of front (maximum) field strength, E_F , to that found in the reverse (back) direction, E_R . The ratio can be also expressed in decibels as $(20 \log_{10} E_F/E_R)$.

What is the front-to-back ratio of a *real* antenna over earth or ground? I define this quantity as the ratio of maximum front power or energy flux density, W_F , (at an elevation angle where this maximum occurs) to the rear power or energy flux density, W_R , at the *same* rear elevation angle. This can also be expressed in decibels as $10 \log_{10} W_F/W_R$.

Note that this F/B ratio is only one parameter of the complete antenna pattern. It is perfectly possible, in principle, to have an antenna with a large F/B ratio defined in this way, but which has serious backward (but not directly back) lobes. Nevertheless, in the interest of simplicity I shall retain this simple notion of F/B ratio; it is perhaps the most important single index of pattern behavior.

The last parameter is the frequency bandwidth, but there are at least three important bandwidths: 1) the bandwidth of the driving-point impedance (electrical input), for example; 2) the bandwidth over which the gain remains high; and 3) the bandwidth over which the F/B ratio remains high. All three are important, so it's necessary to measure or calculate all three. This is best done by observing a quantitative frequency-swept plot of them all.

computation vs experiment

Antenna characteristics can be determined either by experimental measurements on a physical model or by calculations from a mathematical representation of the physical model. Which should be used? Experimental measurements are laborious and it is difficult to ensure accuracy. By contrast, computer calculations are fast and, in principle, can be made with great accuracy. Using a modern computer, a large number of antenna configurations can be investigated in a few days; a number it would take a life-

time to explore experimentally! Moreover, because of the inherent accuracy of calculations, subtle changes and radiative coupling effects can be explored. Therefore, it appears that if a computational procedure is believable, it can be used *very* effectively. Careful experimental tests *are* needed, however, to validate the computation methods.

modeling

A real Yagi antenna can be represented physically by a set of parallel cylindrical conducting elements, each of which has space coordinates at its center of X , Y , and Z . As shown in **fig. 1**, the Yagi will be oriented so that the elements lie parallel to the Z axis and the boom is parallel to the X axis. In free space, the origin of this coordinate system can be placed anywhere, but when modeling a Yagi over the earth it will be advantageous to locate the origin on the conducting earth plane.

The elements themselves approximate a half-wave in length; the reflector, R , is usually somewhat longer than a half-wavelength, the drive element, DR , is normally about a half-wavelength, and the directors, $D1$ and $D2$ (or more), are somewhat shorter than a half-wavelength. For convenience, and to make the representation independent of wavelength, all coordinates, lengths, and dimensions will be expressed in wavelengths at some chosen design center frequency, f_0 .

This model is clearly a simplification of a real Yagi. A real Yagi, for example, does not ordinarily have strictly cylindrical elements; real elements usually have telescoping diameters with connecting hardware clamps; moreover, the elements are mounted at their centers with plates or brackets to the boom, which is usually a conductor.

In this mathematical model I have totally neglected

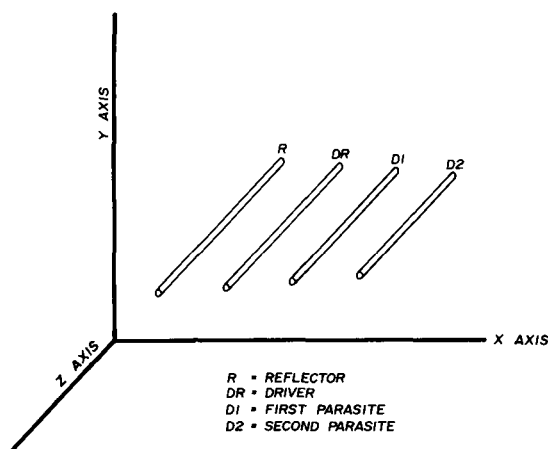


fig. 1. Basic model of the Yagi antenna showing the relationship of the elements, which are parallel with the Z axis; the boom is parallel to the X axis.

the conducting boom; this is justified only if the real Yagi is completely symmetric around the boom. Symmetry guarantees the electrical potential of each parasitic element at its center to be zero and guarantees no mutual coupling to the boom — hence no current will flow along the boom, and the boom can be neglected.

We also assume the driven element to be open at its center and driven from a balanced source; this eliminates current along the boom. The real Yagi driven element, if fed from a balanced source, will also induce no boom current. However, unbalanced feed systems can, in principle, produce currents along the boom which are not considered in the model. Unbalanced feed systems such as the gamma match are usually not especially troublesome in this respect, because if the driving point impedance of the element is relatively low, as it usually is, the voltage impressed on the boom is also low and boom current will be correspondingly low. Moreover, the loaded Q of the driven element is usually high enough to insure reasonable symmetry of element currents; this also makes for low induced boom currents. Incidentally, it is possible to construct the real Yagi with insulating element-to-boom supports; this helps to ensure negligible boom currents.

The clamping and mounting hardware used in a practical Yagi all amount to corrections in the *actual length* of the element to an *equivalent length*. Similarly, the *telescoping (radius tapering) element* will act like a cylindrical element of the same *average* radius, but with a different *equivalent length*! The way in which the actual element dimensions can be converted to a cylindrical element of the same average radius and equivalent length will be discussed later, as will corrections to length caused by mounting hardware. For the moment, note that the real Yagi element dimensions can be converted to equivalent cylinder dimensions for use in the model. As a side note, the element radius taper corrections to convert actual lengths to equivalent cylinder lengths are substantial; this is often overlooked by builders who try to use someone else's element lengths with different element diameters on tapering.

In the mathematical model you can arrange any number of parasitic elements and any number of drivers. It will be shown later how to use the model to approximate a quad or a quagi, or even a "broadband" drive (as in the KLM antennas) where there is a main driver but one or more dependent drivers which are connected through a transmission line to the main driver.

computational methodology

With this mathematical model we are in a position to compute the performance of the Yagi array — to

table 1. Element reactance for different length-to-diameter ratios, K . $X_{0.50}$ is the reactance of an element 0.5λ long; $X_{0.45}$ denotes the reactance of an element 0.45λ long; ΔX is the reactance change when shortening the element from 0.5 to 0.45 wavelength. As shown in fig. 2, a plot of ΔX vs K falls on a straight line defined closely by eq. 1.

K	$X_{0.50}$	$X_{0.45}$	ΔX	eq. 1
10	34.1799	21.6094	-12.5705	-11.030
30	36.7352	4.6906	-31.0446	-31.561
50	37.4666	-3.8791	-41.3457	-41.107
100	38.2110	-15.8869	-54.0979	-54.060
200	38.7673	-28.1857	-66.9530	-67.013
10^3	39.6375	-57.3954	-97.0329	-97.090
10^4	40.3603	-99.9997	-140.3600	-140.120
10^5	40.7961	-143.0558	-183.8519	-183.150
10^6	41.0873	-186.3402	-227.4275	-226.180

find out how the performance of the array varies with frequency f around the design f_0 . The first task is to compute the complex currents (or current magnitudes and phases) which flow in all elements as a result of driver excitation; to do this, it is necessary to determine both the self and mutual impedances of all elements.

I shall start with the behavior of a single nearly half-wavelength element in free space. The self impedance of such an element has been calculated by many authors; an excellent comparison of the various methods is given by Kraus³ (pages 272-276). Uda and Mushiake have used the method originated by Hallen (boundary-value problem) and presented an approximate equation and a table (pages 23-24) which show the self impedance of a cylindrical nearly half-wavelength doublet as functions of radius and length. It is apparent from this table that a half-wavelength doublet has an impedance of about $73 + j40$ ohms, so a somewhat shortened antenna is needed to resonate (to show zero reactance). The required

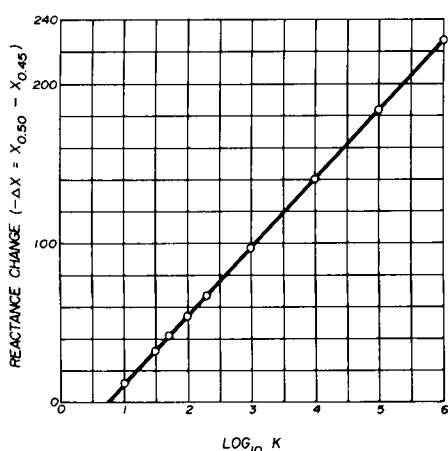


fig. 2. Graph showing the relationship between the length-to-diameter ratio, K , of a half-wavelength element and the reactance change, ΔX , as element length is reduced to 0.45λ .

shortening is basically only a function of K , which is defined as the ratio of (central) wavelength to element radius. In table 1, I have extended Uda and Mushiake's data to a wider range of K values and have calculated the reactance $X_{0.50}$ (in ohms) of the full half-wave dipole and $X_{0.45}$ of an element 0.45 wavelength long; ΔX is the reactance change in ohms when shortening the element from 0.5 to 0.45 wavelength.

If you plot ΔX against $\log_{10} K$, you will find, remarkably, that the points fall in a straight line (fig. 2). This suggests that the reactance change ΔX can be expressed with rather good accuracy as:

$$\Delta X = -43.03 \log_{10} K + 32 \quad (1)$$

The accuracy of this empirical relationship is remarkable over the range of K of real interest ($100 < K < 10,000$).

Note that a simple series-resonant circuit displays an input reactance of:

$$X = 2RQ(F/FR - 1) \quad (2)$$

where Q is the electrical Q factor ($Q = 2\pi f_0 L/R$)

F is the frequency relative to f_0

FR is the resonant frequency of the circuit relative to f_0

R is the series resistance

Equations 1 and 2 can be used to derive:

$$RQ = (215.15 \log_{10} K - 160) \quad (3)$$

In other words, the dipole element behaves electrically like a series-resonant circuit of resistance R and Q given by the empirical relationship of eq. 3.

You may also use eq. 1 to derive the resonant length (zero reactance), LER , of the dipole element in units of wavelength:

$$LER = [1 - (10.7575 \log_{10} K - 8.00)^{-1}] \quad (4)$$

It is interesting to note that the ratio of the resonant length to a true half-wavelength depends only on K ! Some representative values computed from eq. 4 are shown in table 2 and graphically illustrated in fig. 3.

table 2. Element resonant length $2 \cdot LER$ (in units of $\lambda/2$) for different length-to-diameter ratios K . These data are plotted in fig. 3.

K	$2 \cdot LER$	K	$2 \cdot LER$
30	0.8733	10^3	0.9588
50	0.9027	10^4	0.9715
100	0.9260	10^5	0.9782
200	0.9403	10^6	0.9823

Note that greater shortening is needed for thick cylinders than for thin wires, but even for very thin wires appreciable shortening is required to achieve resonance. Thus, if the actual length of an element is LE in terms of wavelengths at central design frequency f_0 , and its resonant length is LER , its resonant frequency, FR (in terms of f_0), may be written as:

$$FR = LER/LE \quad (5)$$

The self impedance of such an element is then:

$$R + jX = 73 + j(430.30 \log_{10} K - 320)(F/FR - 1) \text{ ohms} \quad (6)$$

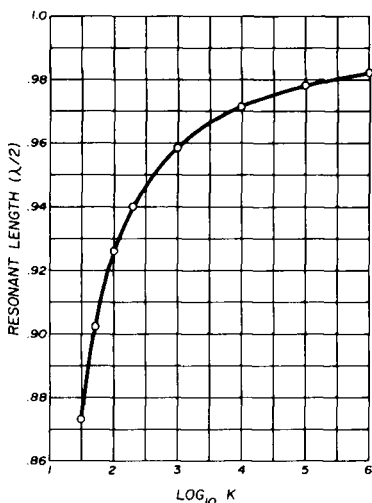


fig. 3. Resonant length of a half-wavelength element as a function of length-to-diameter ratio, K . Note that greater shortening is needed for thick elements (low K) but even very thin wires require appreciable shortening to achieve resonance.

The accuracy of this expression should be good to a very few per cent for elements within a few per cent of a half-wavelength long.

mutual impedance

Now must be considered the mutual impedance between two nearly half-wavelength elements separated by a distance s measured in wavelength λ . Good calculations have been made by several authors of both the real and imaginary components of this complex quantity, but only for the limiting case of infinitely thin, half-wavelength elements; equations, plots, and tables are shown in Kraus³ (pages 265-268) and Uda-Mushiake² (pages 69-70). Kraus (page 266) also shows calculations by Tai for two cases of thicker, half-wavelength dipole elements. Tai's calculations suggest that inaccuracies caused by using the limiting thin case will not be

large; therefore, for convenience, I use it for all calculations. I have extended the table of Uda-Mushiake, and in table 3 show values in ohms for the real part of the mutual impedance ($RMUT$) and for the imaginary part ($XMUT$), as a function of element separation, s , in wavelength. For separations greater than $s = 1.5$, a reasonable approximation can be derived from:

$$RMUT = \frac{19.06}{s} \sin(2\pi s) \text{ for } s > 1.5 \quad (7)$$

$$XMUT = \frac{19.06}{s} \cos(2\pi s) \text{ for } s > 1.5 \quad (8)$$

Although some caveats are necessary, you now have the necessary tools to calculate the parasitic element currents. Recall that the physical model of the Yagi is a good representation only to the extent that proper corrections can be made for element hardware variances (clamping and mounting hardware and element radius taper). These corrections will be detailed later. Also recall that the computation of self and mutual impedances (eqs. 4, 5, 6, 7, 8, and table 3) are approximations! Though they are probably good approximations, and should give reasonably accurate results, you should not rely on them for accuracy better than a few per cent.*

computations

The first step is to calculate the complex currents (or magnitudes and phases) of all parasitic elements given the currents or voltages applied to all drivers. The method is uncomplicated, following the technique of P.S. Carter shown in Kraus,³ (page 302). For simplicity, I will illustrate how this is done using one driver and three parasitic elements; extension to any number of elements will be obvious. For each element add all voltages and equate to the terminal voltage V_n :

$$\begin{aligned} I_1 Z_{11} + I_2 Z_{12} + I_3 Z_{13} + I_4 Z_{14} &= V_1 \\ I_1 Z_{21} + I_2 Z_{22} + I_3 Z_{23} + I_4 Z_{24} &= V_2 \\ I_1 Z_{31} + I_2 Z_{32} + I_3 Z_{33} + I_4 Z_{34} &= V_3 \\ I_1 Z_{41} + I_2 Z_{42} + I_3 Z_{43} + I_4 Z_{44} &= V_4 \end{aligned} \quad (9A)$$

*Any improvement in these approximations will require a great amount of theoretical work through a rigorous examination of the boundary value problem with attention to:

1. Current distributions along driven and parasitic elements (they are somewhat different in principle).
2. Complete numerical solutions to both real and imaginary components of element self and mutual impedance; it will be necessary to distinguish mutual coupling coefficients between elements of different function, i.e., driven to driven, driven to parasite, and parasite to parasite. In principle, all coefficients will depend on each affected element length and radius.

Assume in this example that the first three elements are parasites, *i.e.*, $V_1 = V_2 = V_3 = 0$ and that the fourth element is driven with the complex voltage V_4 ; Z_{nn} is recognized as the complex self impedance of the n th element, and Z_{jk} (which is the same as Z_{kj}) is the mutual impedance between the j th and k th element. Thus, all of these impedances can be calculated once the positions (and hence separations) of the elements are specified. Since there are four linear equations with four unknowns, $I_1, I_2, I_3,$

I_4 , instead of voltage, V_4 , rewrite the first three parasitic equations (eq. 9) as:

$$\begin{aligned} I_1 Z_{11} + I_2 Z_{12} + I_3 Z_{13} &= -I_4 Z_{14} \\ I_1 Z_{21} + I_2 Z_{22} + I_3 Z_{23} &= -I_4 Z_{24} \\ I_1 Z_{31} + I_2 Z_{32} + I_3 Z_{33} &= -I_4 Z_{34} \end{aligned} \quad (10)$$

This (smaller) array can be solved in the same way for $I_1, I_2,$ and I_3 and the results used in the fourth equation:

$$I_1 Z_{41} + I_2 Z_{42} + I_3 Z_{43} + I_4 Z_{44} = V_4 \quad (11)$$

to solve for V_4 . The driving point impedance for either calculation is simply:

$$Z_4 = V_4 / I_4 \quad (12)$$

This procedure is best done on a computer, and it is not difficult to write a suitable program. Although I have written a number of such programs in FORTRAN IV, I would prefer not to supply them. It has been my experience that those who understand programming can easily write their own; those who are not capable of programming invariably need substantial assistance, which I am unwilling to supply.

summary

In this article I have discussed the basic properties of the Yagi antenna, and the construction of a mathematical model which can be used for computer analysis. In the next article of this series I will outline the computer programs which accomplish this analysis, and will confirm, using published experimental information, that calculated Yagi performance is in close agreement with that realized in practice.

references

1. H. Yagi and S. Uda, *Proceedings of the Imperial Academy*, February, 1926 (also S. Uda, *Journal of the Institute of Electrical Engineers of Japan*, volume 47-48, 1927-1928).
2. S. Uda and Y. Mushiaki, *Yagi-Uda Antenna*, Research Institute of Electrical Communication, Tohoku University, Sendai, Japan, 1954 (printed by Sasaki, Ltd., Sendai, Japan).
3. John D. Kraus, *Antennas*, McGraw-Hill, New York, 1950.
4. Ronald W.P. King, *The Theory of Linear Antennas*, Harvard University Press, Cambridge, Massachusetts, 1956.
5. W. Walkinshaw, "Treatment of Short Yagi Aerials," *Journal of the IEE* (London), volume 93, part 3A, number 3, 1946, page 564.
6. H. Ehrensbeck and H. Poehler, "A New Method of Obtaining Maximum Gain from Yagi Antennas," *IRE Transactions on Antennas and Propagation*, October, 1959, page 379.
7. J. Lindsay, "Quads and Yagis," *QST*, May, 1968, page 11.
8. C. Greenblum, "Notes on the Development of Yagi Antennas," *QST*, August, 1956, page 11; September, 1956, page 23.
9. P. Viezbicke, "Yagi Antenna Design," *NBS Technical Note 698*, U.S. Department of Commerce, Washington, DC, December, 1976.
10. J. Lawson, "Antenna Gain and Directivity Over Ground," *ham radio*, August, 1979, page 12.
11. E. Hallen, "Theoretical Investigations into the Transmitting and Receiving Qualities of Antennae," *Nova Acta Uppsala* (Sweden), series IV, volume 11, number 4, 1938, page 3.
12. P. Carter, "Circuit Relations in Radiating Systems and Application to Antenna Problems," *Proceedings of the IRE*, June, 1932, page 1007.

ham radio

table 3. Complex mutual impedance as a function of element spacing, s (wavelength). The real part is designated R_{MUT} and the imaginary part as X_{MUT} (both in ohms).

$s(\lambda)$	R_{MUT}	X_{MUT}	$s(\lambda)$	R_{MUT}	X_{MUT}
0.	73.13	42.54	0.80	-18.49	12.26
0.05	71.66	24.27	0.85	-13.32	16.29
0.10	67.33	7.54	0.90	-7.49	18.55
0.15	60.43	-7.10	0.95	-1.55	18.99
0.20	51.40	-19.17	1.00	4.01	17.74
0.25	40.79	-28.35	1.05	8.75	15.04
0.30	29.26	-34.44	1.10	12.32	11.22
0.35	17.50	-37.42	1.15	14.52	6.71
0.40	6.22	-37.43	1.20	15.25	1.94
0.45	-3.97	-34.78	1.25	14.56	-2.66
0.50	-12.53	-29.93	1.30	12.59	-6.70
0.55	-19.06	-23.42	1.35	9.62	-9.84
0.60	-23.31	-15.87	1.40	5.97	-11.88
0.65	-25.21	-7.94	1.45	2.01	-12.70
0.70	-24.86	-0.25	1.50	-1.89	-12.30
0.75	-22.50	6.63			

and I_4 , the easiest way to solve this array is by a matrix inversion. In matrix notation eq. 9A is represented by:

$$\begin{bmatrix} Z_{11} & Z_{12} & Z_{13} & Z_{14} \\ Z_{21} & Z_{22} & Z_{23} & Z_{24} \\ Z_{31} & Z_{32} & Z_{33} & Z_{34} \\ Z_{41} & Z_{42} & Z_{43} & Z_{44} \end{bmatrix} \times \begin{bmatrix} I_1 \\ I_2 \\ I_3 \\ I_4 \end{bmatrix} = \begin{bmatrix} V_1 \\ V_2 \\ V_3 \\ V_4 \end{bmatrix} \quad (9B)$$

or: Z (matrix) $\times I$ (vector) = V (vector) where all terms are complex.

The solution is I (vector) = Z^{-1} (inverted matrix) $\times V$ (vector) where $Z \times Z^{-1} = I$.

The process of matrix inversion is readily accomplished with a computer using matrices having complex terms, *e.g.*, with a program usually called CLINEQ under FORTRAN IV. Although the actual solution is usually done through a mathematical process known as Gaussian elimination, the result is equivalent to matrix inversion. With this technique, a computer will provide solutions quickly for very large arrays of fifty elements or more.

If you wish to specify the driven element *current*,

remote synthesized fm transceiver for 2 meters

Construction details for a remote synthesized 2-meter transceiver with 220-MHz control

Activity on the Amateur 220-MHz band has always been on the sparse side, although in recent years more and more fm operators in the urban areas have been moving up to 220 to avoid the congestion of 2 meters. For a number of years we were seriously threatened with the loss of 220-MHz to the CB interests, but that threat seems to have passed for the moment; other services still covet the 220-MHz allocation, however, and one of the best ways to protect the band is to increase the activity level.

With a band as good as 220 MHz, I used to wonder why it was not being used to its fullest; I concluded that few Amateurs really "know" about 220, so there is little demand for good equipment, and, consequently, there is a limited selection. Just by way of introduction, the 220-MHz band has a number of characteristics to recommend it: it provides propagation similar to that of 144 MHz, but the noise levels are considerably lower; 220 is wider than 2 meters by 1 MHz, and 220-MHz antennas require less space for the same amount of gain.

After I had sold myself on the advantages of 220-MHz, I decided to see what I could do to generate more interest in the Atlanta area. I first put up a 220-MHz repeater; no one, however, seemed very interested. I had considered adding an autopatch when I got an idea for a remote base. Not just a fixed or few selectable channel remote base, but one which was fully synthesized and could be user programmed to any frequency in the 2-meter band.

features and limitations

I decided to make use of the excellent transmitter, receiver, and synthesizer kits manufactured by VHF Engineering and to develop only the necessary control circuits to operate the synthesizer and associated circuits. I felt it should be possible to operate any frequency combination between 144.105 and 147.995 MHz; it would be necessary to dial up the receive frequency prior to the transmit frequency so a listening watch could be made prior to transmitting (later it would be possible to dial up receive frequencies without transmit frequencies so the band can be scanned manually if desired).

theory of operation

Fig. 1 is a functional diagram of the overall system starting with a basic 220-MHz repeater. The audio from the repeater receiver is connected to a tone-pad decoder which feeds a BCD data bus; this bus carries data from the operator to three circuit boards.

The first, the access and control board senses the

**By Neil Stone, WB4UPC, Postbox 7054,
Marietta, Georgia 30065**

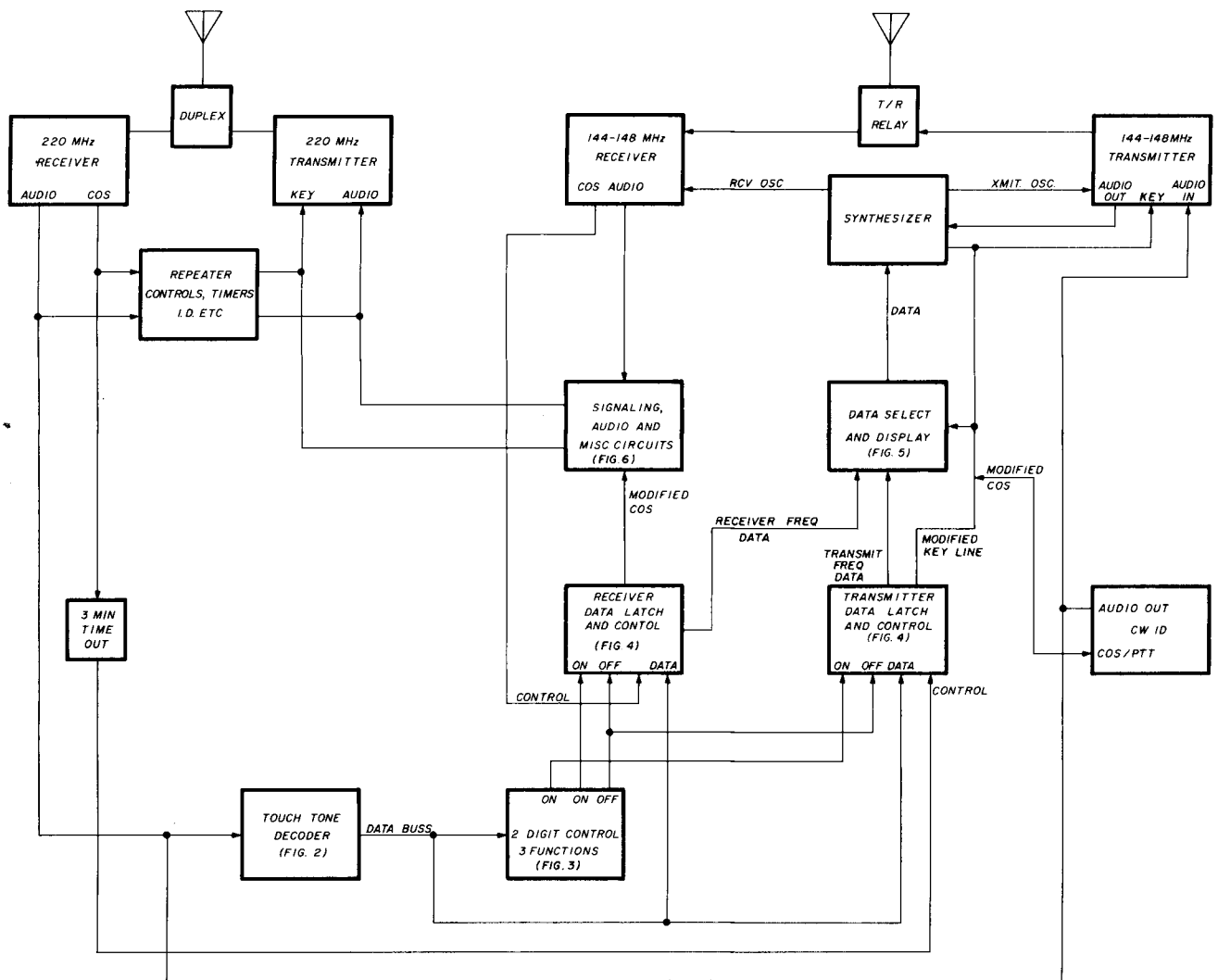


fig. 1. Block diagram of the basic remote system. A 220-MHz transceiver provides the control for the synthesized 2-meter transceiver. Circuit boards and parts kits are available from Creative Electronics, Box 7054, Marietta, Georgia 30605.

first two digits, which alert either of the other two boards (both identical) to accept the information following on the data bus. The access and control board will also sense two digits which signal the remote base to shut down. The two data latch boards, when enabled by the access and control board, store the subsequent four digits as frequency information. This board also senses whether or not a valid (in band) frequency has been received.

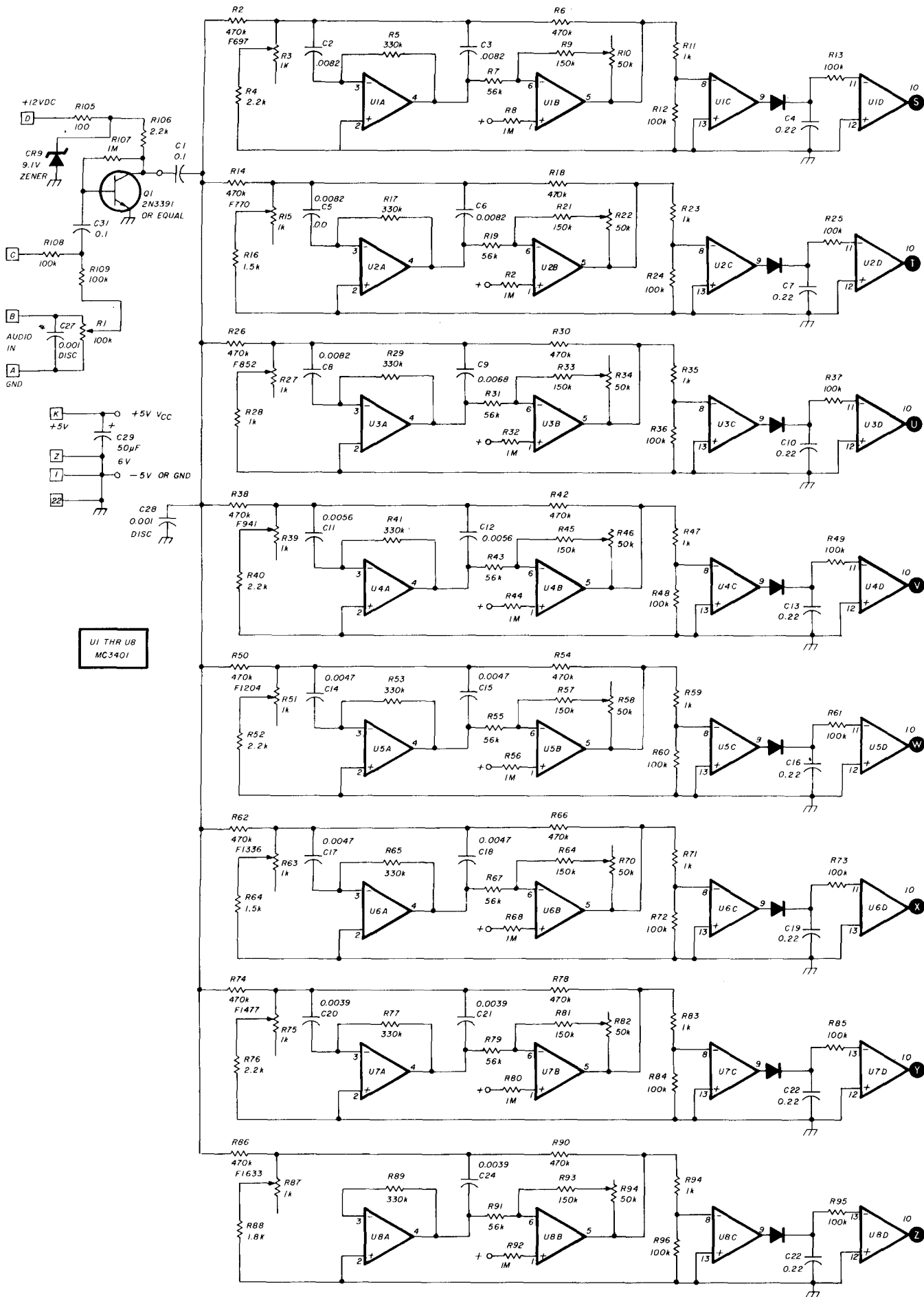
The data outputs from these two boards are connected to the data select and display board. This board contains the necessary circuitry to select whether the receiver or transmit data latch board will control the synthesizer frequency; it also displays the desired frequency and retains the last transmit frequency for the final identification. The data output from this board is connected to the synthesizer, which controls the receiver and transmitter. The audio and COS lines from both the repeater and

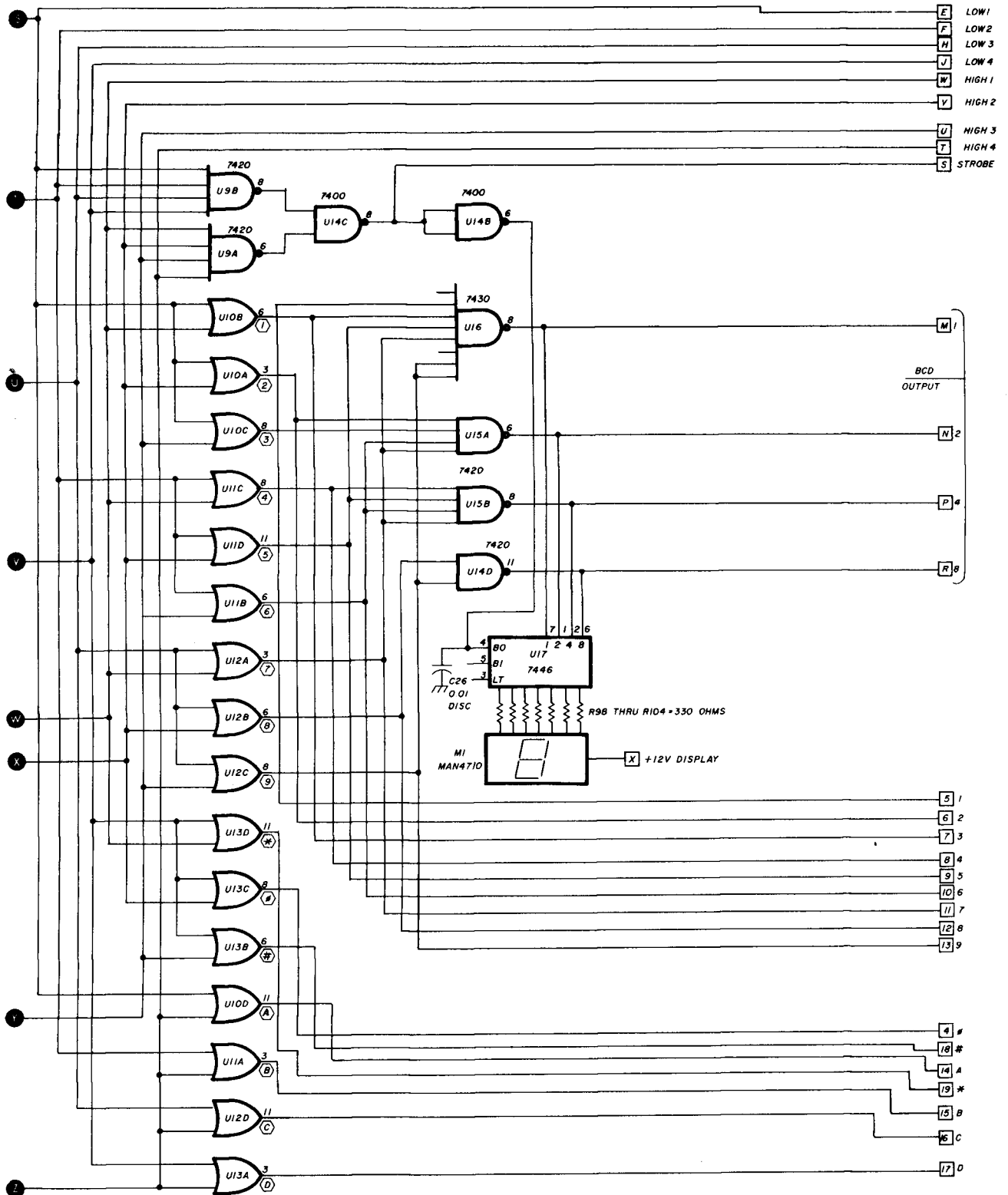
remote base are processed on the miscellaneous circuits board.

tone-pad decoder

The tone-pad decoder (fig. 2) consists of eight active filters, U1 through U8, each of which is tuned to a standard *Touch-Tone** frequency. Except for the frequency-determining components, the following description of the 697-Hz filter is applicable to all others: Audio from the repeater receiver is coupled into the detector through a level adjust control, R1. The input on pin C allows the tones from a local pad to be applied to the decoder. The output from the active filter, U1A and U1B, is coupled through R11 to reduce the loading effects of U1C on the active filter. U1C normally is in a conducting state (output near

**Touch-Tone* is a registered trademark of the American Telephone and Telegraph Company.





tone pad frequency table				tone pad frequency table			
groups	desired frequency	frequency adjustment	Q adjust	groups	desired frequency	frequency adjustment	Q adjust
Low 1	697 Hz	R3	R10	High 1	1209 Hz	R51	R58
Low 2	770 Hz	R15	R22	High 2	1336 Hz	R63	R70
Low 3	852 Hz	R27	R34	High 3	1477 Hz	R75	R82
Low 4	941 Hz	R39	R46	High 4	1633 Hz	R87	R94

fig. 2. Schematic of the tone decoders. All resistors are 1/4 watt, 5 per cent; all capacitors are Mylar unless otherwise specified.

zero volt). When a signal appears on its input; however, the negative-going peaks cause the output to go positive. This positive voltage is coupled through CR1 across C4, resulting in a fast attack. U1D operates as an open gain amplifier; the output is zero for a valid tone group.

The outputs from the four low-group tones are each connected to OR gates U10 through U13. The other gate input is connected to the appropriate output of the high-group filter detector. The outputs of each OR gate provide a zero logic state for the digit being received. These outputs are then connected to a series of logic gates, U14D, U15D, and U16D, which convert them to a BCD format. Included in this output format is a negative-going strobe, generated by U9 and U14C, which signals the other circuits that the data is valid.

In addition to the BCD data and strobe, other outputs are provided for each individual tone group, digits including # and *, and the extra right hand column, A, B, C, and D. These outputs all go to a low state when valid and may be used, if desired, for control functions.

access and control board

The access and control board, **fig. 3**, accepts the information from the data bus or from the extra outputs of the tone-pad decoder and converts this data to the necessary system control signals. When the strobe goes low, it starts a timer, U7, which is connected to the other input of U9D. When the timer's output returns to a low state, and if a valid digit is still present, the output of U9D will go to high. This reduces the effects of voicing.

When U5 goes to zero, it triggers timers U8A and U8B. If a valid digit is recognized, as represented by zero output at U5, timing capacitor C20 discharges. When the strobe returns high, the capacitor starts to recharge. If another digit is received, the strobe again discharges C20. So long as a steady stream of digits is received by the tone pad decoder, the timer will not reset, allowing U10 to count the U8B output. When the digit stream ceases, U10 is reset to zero.

U8B act as a one shot, providing a pulse for each digit received from the tone-pad decoder. The single-shot pulse is coupled through gate U6D, divided by 10 through U10, and then applied to decimal decoder U11. The decoded BCD digit information, plus the U11 output form a programming matrix. When more than nine digits are received, an output from U11 stops the counter by inhibiting gate U6D; this prevents the counter from recycling.

On the other side of the matrix are three sets of circuits, all the same, each used for one of the control functions. Following is a description of the receiver access portion; the transmitter access portion and

the disable portion are identical except that only the first and second digits can be used on the disable circuit. One U1B input, for the first digit to be recognized, is connected to the U11 matrix outputs. The other input is connected through the matrix to the desired, preset digit. Therefore, when a received digit corresponds to the desired sequence, U1B output goes low and is inverted by U5C. When the digit is released, the negative-going transition starts timer U3B, providing a window through NAND gate U6B when the second control digit must be received and recognized. If this occurs, the U6B output goes to a zero, sending a control signal to enable the receive mode data latch and control board. The other control functions enable the transmitter data latch and control board or can disable both boards.

data latch and control boards

Two data latch and control boards, **fig. 4**, are required: one for the receive frequency and one for transmit. When the access and control board signals receipt of the proper access code, it provides a zero-going pulse to the alert line (pin C) on the data latch board. This zero-going pulse performs several functions: It toggles U3A (which enables the counter U4, OR gate U12D, and NAND gate U13C), and U3B (which disables either the transmitter or receiver through OR gates U12B and U12C); it also provides a start pulse to U2B through U13D and U13C. When enabled, U4 counts the number of zero-going pulses on the strobe line.

The strobe pulses are conditioned by U2A to provide a single, short positive pulse regardless of how long the digit is held. These output pulses are also used to enable data latch chips before advancing the counter; this protects the currently stored digit and prepares for the next. The pulses from U2A are inverted by U16F and applied to one input of NOR gates U6A, U6B, U6C, and U6D.

The other gate input comes from BCD-to-decimal decoder U5. When more than five pulses have been counted by U4 and U5, a signal from U5 inhibits U1B, preventing the data latches from accidentally being recycled. As the counter advances from the starting point through three, each of the U6 NOR gates is allowed to pass the pulse generated by U2A; the following latches are sequenced to sample and store the information from the data bus.

In addition to decoding the data bus, the latch outputs are connected to a series of BCD-to-decimal decoders for sensing dialing errors, and/or the selection of out-of-band frequencies. The outputs of U17, U18, U19, and U20 are connected to a series of gates that check for specific frequencies. The U22C output goes low when out-of-band operation is sensed, sending a pulse through U15A, U15B, and U15C to

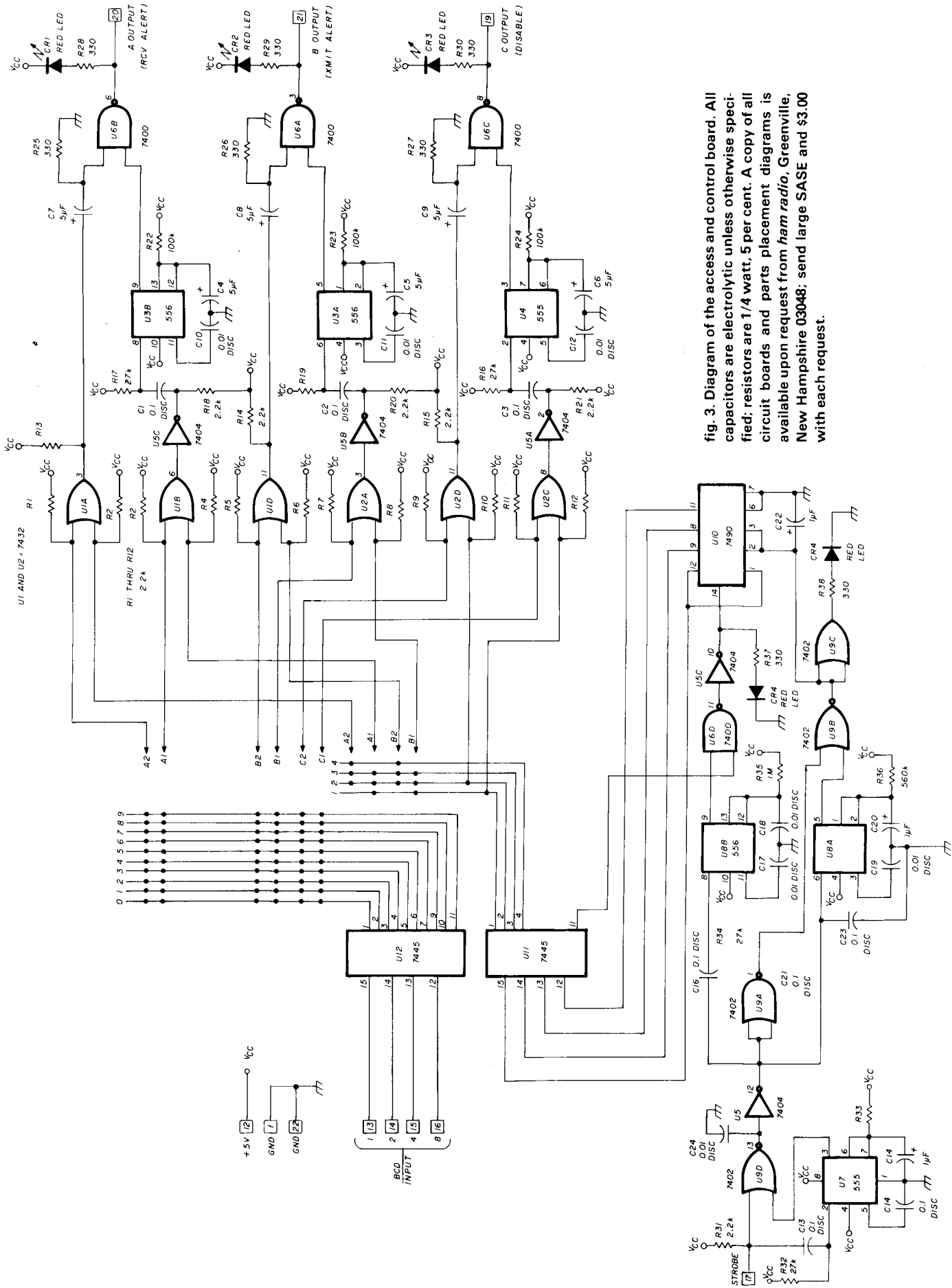


fig. 3. Diagram of the access and control board. All capacitors are electrolytic unless otherwise specified; resistors are 1/4 watt, 5 per cent. A copy of all circuit boards and parts placement diagrams is available upon request from *ham radio*, Greenville, New Hampshire 03048; send large SASE and \$3.00 with each request.

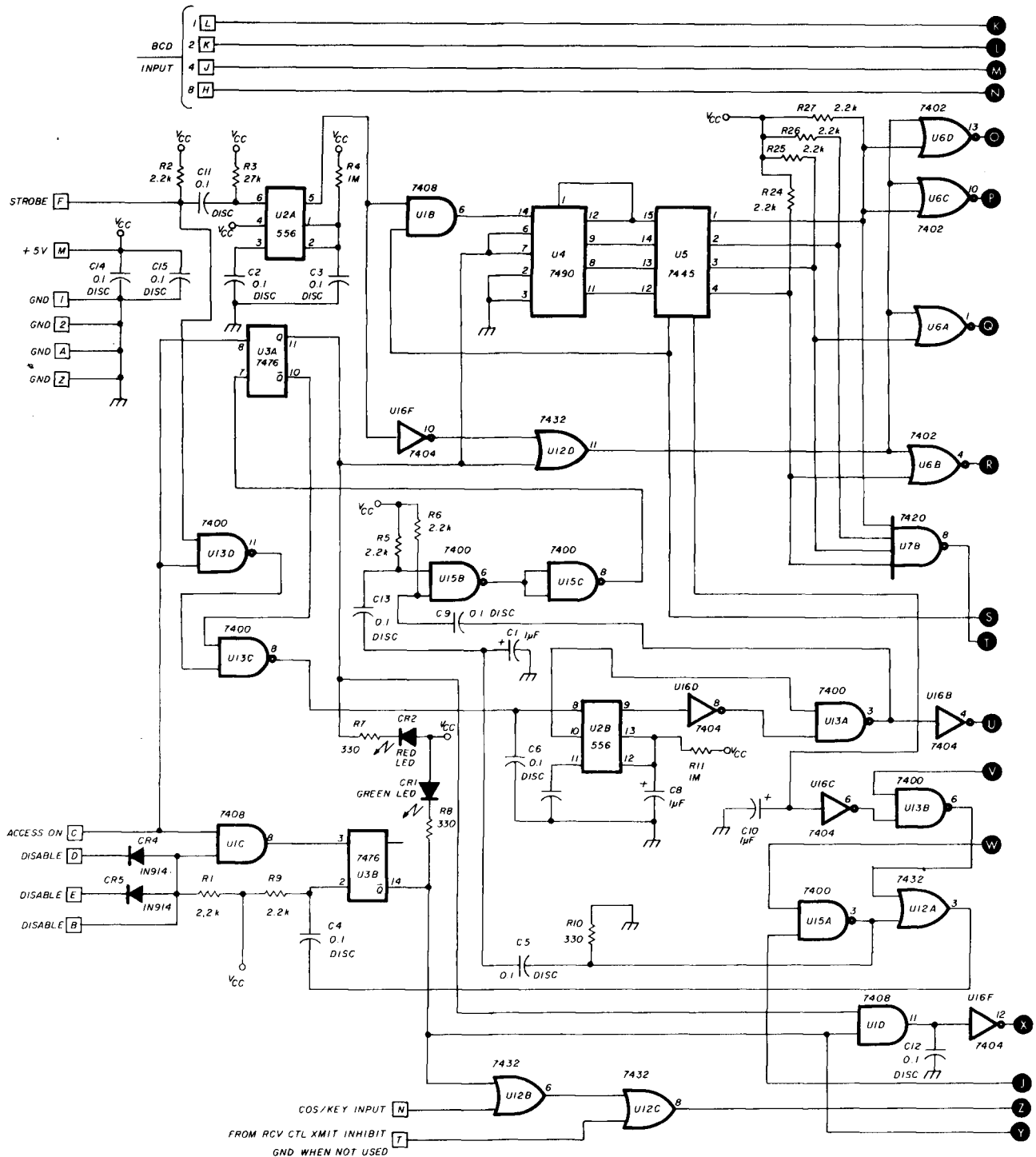


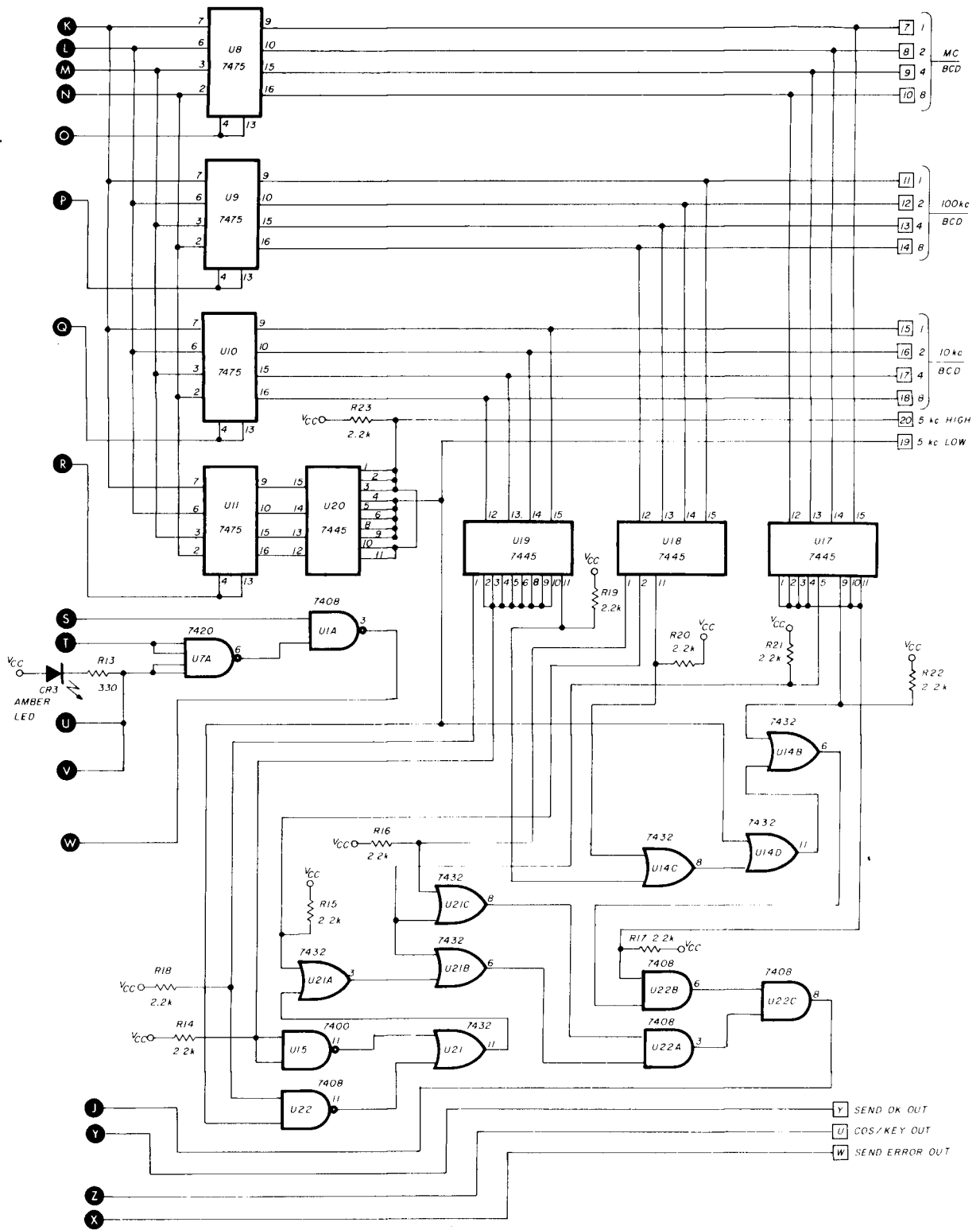
fig. 4. Circuit for the data latch and control board. All resistors and capacitors are as specified in fig. 3.

reset U3A. U12A blocks the reset pulse during the dialing time.

When the user has finished dialing, U2B is allowed to reset; both U13A inputs go high, passing a pulse through C9. This pulse is subsequently inverted by U15C and used to reset U3A and counter U4. U13A output is also connected to inverter U16B, which enables the circuits for testing number of digits

dialled. If the tests are passed, U12A resets U3B, enabling U12B to pass the COR/COS input on pin N of the card edge connector.

If the wrong number of digits is received or an out-of-band signal is sensed, the reset signal is blocked by U12A, and U3A is reset by the output from U15A; U3B is not reset, leaving either the transmitter and/or the receiver disabled.



The main function of the data select and display board, **fig. 5**, is to determine whether the receiver or transmitter data latch and control board controls the synthesizer frequency. It also displays the operating frequency and the mode (receive or transmit). This board also senses when the transmitter is moved to a

new frequency and instructs the identifier to send an ID; the old frequency is stored until the ID has been sent and then released.

The data select function is performed by U14, U15, and U16. The outputs are connected to three data latches (U11, U12, and U13) which normally have

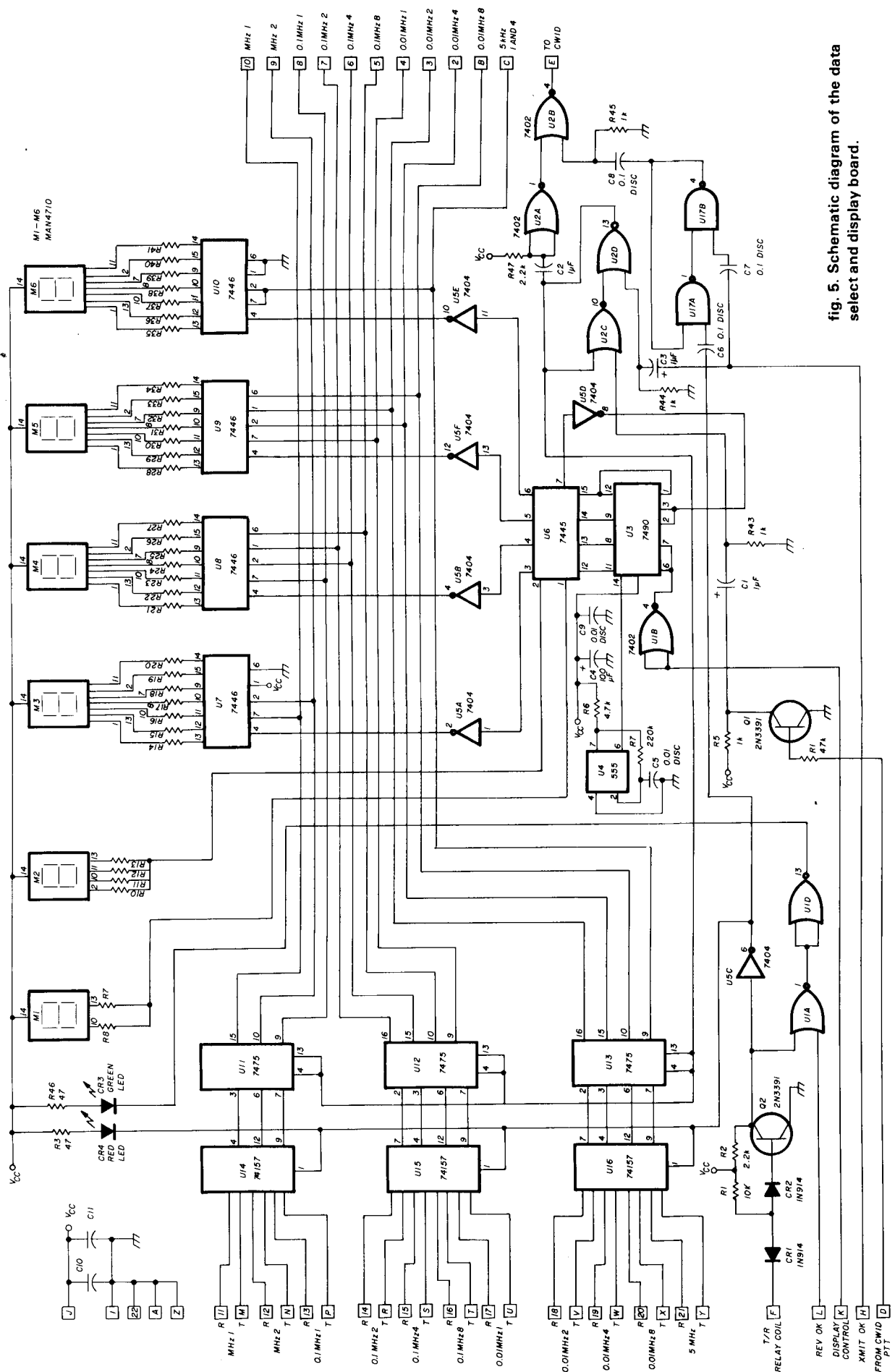


fig. 5. Schematic diagram of the data select and display board.

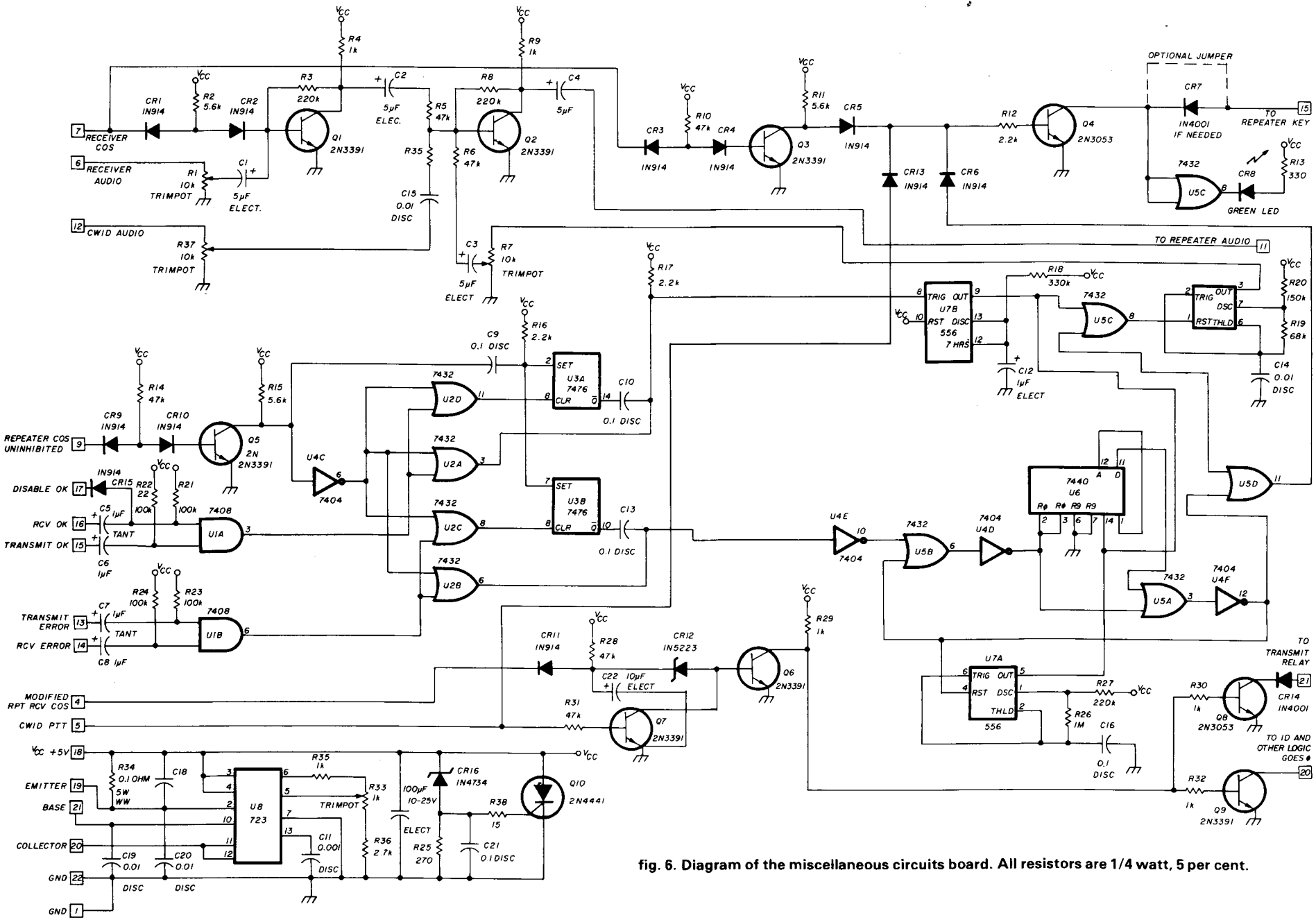
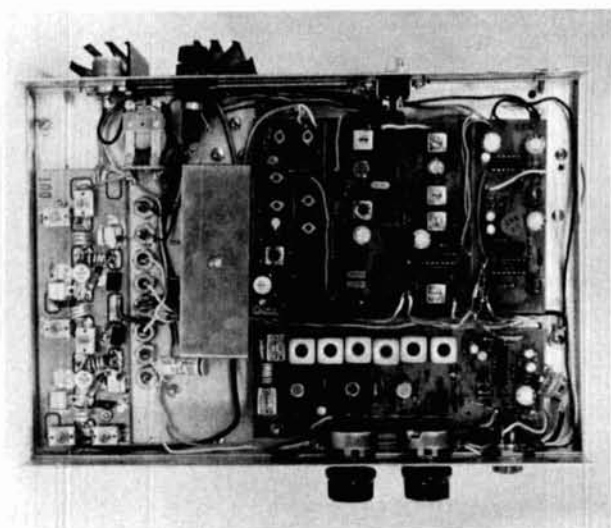


fig. 6. Diagram of the miscellaneous circuits board. All resistors are 1/4 watt, 5 per cent.



Layout of the bottom of the remote synthesized base. At the far left is the 15-watt 144-MHz rf power amplifier; the heatsink is on top of the chassis; enclosure at left center contains the 144-MHz filter. The four circuit boards at top right are, beginning at the left: 144-MHz receiver, 10.7-MHz i-f, 455-kHz i-f, and audio; lower right is the VHF Engineering 144-MHz transmitter strip.

their enable inputs held high by U2C and U2D so the outputs follow the input. Whenever the transmitter is disabled, the okay to transmit (XMT OK) signal from the transmit board goes high, setting U2C and U2D, which causes the data latch enable line to go zero, holding the data at that time. The frequency will be displayed and held and used by the synthesizer as the transmit frequency. The setting of U2C and U2D provides a pulse through U2A and U2B which then triggers the CW ID.

When the ID finishes, it causes a reset pulse to be generated from Q1 through C1 to reset U2C. On an initial transmission, the CW identifier is triggered by a positive pulse generated when U17 toggles. It is set by a pulse generated through C7 when the XMT OK line goes to zero, then resets through C6 the next time the remote base key line is engaged.

The display portion of the board consists of six, 7-segment LED displays. Digits M1 and M2 are hard-wired so they always display one and four; the remaining displays are driven through current-limiting resistors and decoder drivers connected directly to the same data bus as the synthesizer. To reduce power consumption, the display is strobed.

To control the data select ICs, the key line to the transmitter is also connected to the input of Q2. When the transmitter is keyed, the input to inverter Q2 goes low; the output is inverted by U5C, which controls the data select chips U14, 15, and 16. When the key is released, Q2 conducts, the green LED (receive) is illuminated, the red LED goes out, and the data select outputs return to the selected receive fre-

quency. The green receive LED is inhibited whenever a valid frequency has not been accessed.

The RCV OK signal is connected to one input of U1A while the other input of U1A is connected to the collector of Q2. The output of U1A, therefore, is held low whenever the RCV OK signal is high (disabled), regardless of the Q2 output.

miscellaneous circuits board

This board, **fig. 6**, contains the regulator chip and the associated components to control the 5-volt pass transistor. Also on this board is the keying control for the remote transceiver, repeater keying control, repeater audio inputs, and signaling generating circuits.

The remote base is keyed by the repeater receiver COS signal after it has passed through the transmitter data latch and control board. The other keying input is the CWID PTT output. The CWID gets its COR input from the output of Q9, which allows it to ID during a series of transmissions. A slight delay in dropping of the remote transmitter is provided by C22 and CR12 to prevent the transmitter from dropping out because of flutter on the 220-MHz input.

Repeater keying is provided from three sources: the remote receiver (COS after it has passed through the receiver data latch and control board), the signaling circuits, and CWID. The remote receiver COS is connected to the inputs of Q1 and Q3 after it has gone through the receiver data latch and control board. When a signal is being received by the remote base receiver, this COS input goes low, Q3 is cut off, and Q4 is driven into saturation.

The CWID PTT is coupled through CR13 and R12 to Q4. When the ID is running, a positive voltage keeps the repeater on the air and allows the ID audio to be heard over the repeater.

The other input to Q4 is from the signaling circuitry through CR6. Whenever one of the control functions has been activated, a signal is returned to the operator through the repeater to let him know the status of his controlling commands. These outputs are connected to U1A for the OK signal, and U1B for the ERROR signal.

When an OK signal is sensed, a short pulse is developed across either C5 or C6 which results in a short zero-going pulse at U1A output. The pulse is connected to gates U2A and U2D. If there is an input on the repeater receiver, it is assumed that the operator is still transmitting, causing the output of Q5 to be high, blocking the pulse output of U2A. Since the output of Q5 is inverted by U4C, the other input to U2D will be low, so when the signaling pulse arrives, it is allowed to pass through U2D and set U3A. When the receiver COS is released, the Q5 output returns low, sending a short pulse through C9 to reset U3A.

When U3A resets it sends a pulse through C10 to trigger U7B.

If there was no input to the repeater receiver when the signaling pulse appears on the output of U1A, the Q5 output would be low, allowing this pulse to pass through U2A and not through U2D, triggering U7B. U7B is a one-shot timer which provides a pulse to operate the tone generator U9, and key the repeater transmitter through U5D and CR6. This results in a short continuous tone to signal that either the receiver or transmitter had been properly accessed.

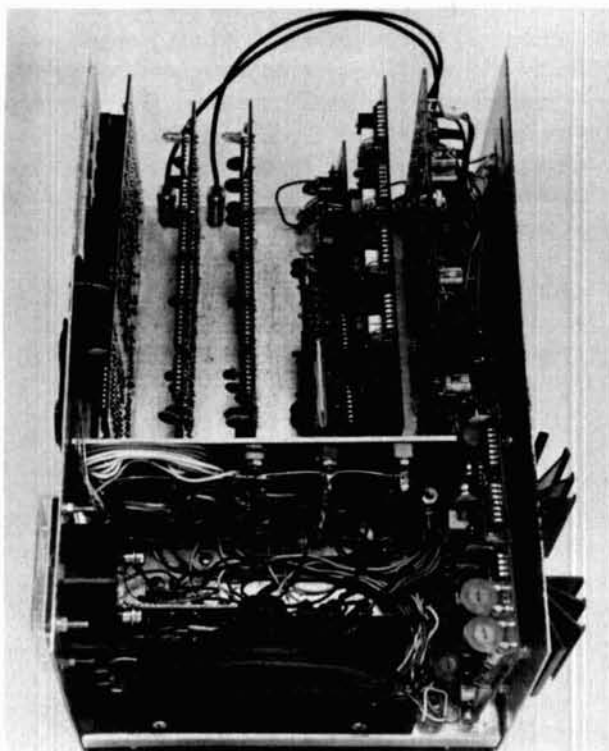
If a valid frequency had not been accessed, however, an ERROR signal would be received on one of the inputs. If there is no input to the repeater, U2B is allowed to pass this pulse to U4E, while U2C will pass the pulse to U3B. U3B will then reset when the repeater is no longer receiving a signal, sending a pulse through C13 to U4E, U5B, and U4D.

When U4D output goes low, U6 counts the pulses from U7A; this output is also coupled through U5C to the tone generator U9 to provide a series of dits. Once started, the BCD 8 output on the counter will go to zero. This level is connected to one of the inputs of U5A; the other U5A input is from U4D which went zero with the signal-starting pulse. With both inputs at zero, the U5A output is zero. This is inverted in U4F and connected to the other U5B input. This allows the counter to cycle through to the eighth count where the output again goes high, causing U5A output to go high, eventually stopping counter U6. The U4F output is also used to stop the pulse generator U7A and key the repeater transmitter through U5D, CR6, and Q4.

Audio from the remote receiver is connected through R1 to Q1, which is controlled by the receiver COS. This blocks the receiver audio when an invalid frequency has been selected or the receiver has been disabled. The Q1 output is coupled through C2 and R5 into Q2. The output of the signalling generator U9 is also connected through R7, C3, R6 to Q2, while the CWID is coupled through C15 and R35 and R36 to Q2. This allows independent adjustment of the receiver, ID, and signalling audio levels.

construction

The remote base was built into an LMB cabinet (W-2J). The receiver, a VHF Engineering RX144B, was assembled according to the manufacturer's instructions, with the exception of a modification to make the COS output go low upon the receipt of a signal. This strip is mounted on the underside of the chassis as shown in **fig. 7**. Two small potentiometers were added to the VHF Engineering TX144B transmitter for the line and mike inputs so that both the levels and the deviation limit could be set. A VHF Engineering PA144-15 power amplifier was used,



Top of the synthesized base showing circuit board placement; boards, left to right, are data select and display, transmit data latch, receive data latch, two-digit access, CW ID, touch pad decoder, and VHF Engineering synthesizer. Miscellaneous circuits board (fig. 6) is at lower right next to the heatsink (on rear panel) for the 5-volt regulator. Heatsink for the power amplifier stage is hidden by the speaker in foreground.

although the PA144-25 will also work. The amplifier was mounted with its heatsink on top of the chassis and the printed-circuit board with the components below the chassis (see **fig. 7**). The double-pole, double-throw relay (Magnetcraft W88X-7) mounted next to the antenna connector is used to switch the antenna and the 12-volt supply between the receiver and transmitter.

The receive and transmit oscillator signals are fed through phono connectors located on the opposite side of the receiver. The volume and receiver squelch controls are mounted between the exciter and front panel.

The tone-pad decoder board, two-digit access and control board, data latch boards, data select and display board, miscellaneous circuit board, and the CWID and synthesizer are all mounted on the top side of the chassis. A heatsink (Wakefield 641-Z) with the 2N3055 5-volt regulator transistor is mounted on the rear panel behind the miscellaneous circuit board; the 9-volt and 5-volt regulators for the synthesizer are mounted without heatsinks on the other side of the rear panel.

The VHF Engineering SYN II synthesizer board

was assembled according to the manufacturer's instructions with the exception that resistors R1 through R12 and R14 were not installed. The offset-programming diodes, CR3 through CR8 are not needed.

The eight feedthrough capacitors are used for the following items (listed in order from the front to the rear):

1. Local mike PTT
2. Transmit/receive relay
3. Transmit audio
4. 13.6-Vdc supply
5. Receiver audio
6. Receiver COS
7. Receiver speaker
8. Optional S-meter

When stuffing the two-digit control board (TDC 203), the control codes should be chosen and programmed; I used 71 (R1) for receive, 81 (T1) for transmit, and 73 for disabling.

installation and interfacing

The 2-meter base was connected to a VHF Engineering 220-MHz repeater. The repeater COS (low state on) from the COR-2 board (PTT), along with the audio from the repeater speaker line, are connected to the audio and COS input lines of the remote base. Initially the installation was made at a site which contained one 2-meter repeater and another 220-MHz repeater. In addition, there is a 2-meter repeater located approximately 0.4 km (1/4 mile) from the remote base. The major problem is with the 2-meter repeater located at the same site as the remote base, although some interaction (desense) also occurs when the other 2-meter repeater is in use. Based on these experiences, I recommend that the remote base not be co-located with a 2-meter repeater. I also recommend that the 220-MHz and 2-meter antennas be located one above the other on the tower.

operation

For maximum versatility the system was set up to allow separate dialing of the receive and transmit frequencies. To dial the receive frequency, dial R (7 on the tone pad) and the frequency desired, R147.340 for example. After the mike PTT has been released, a short continuous tone will be heard, indicating that the frequency has been successfully accessed (a short burst of dots indicates the operator was unsuccessful). When a valid receive frequency had been accessed, any signals appearing on the remote receiver input will be heard on the 220-repeater output.

Once a frequency has been selected, then the appropriate transmit frequency, simplex or repeater

input, can be dialed starting with T (digit 8) and the frequency, T147.940 for example. Again, shortly after the mike key has been released, a signalling tone should be heard which indicates either success or failure. If it's success, any signals appearing on the input to the 220-MHz repeater will be retransmitted on the selected 2-meter transmitter frequency.

When the transmitter is used on a new frequency, it will transmit its ID on both the 2-meter remote base as well as the 220-MHz repeater. The ID will reoccur periodically during a series of transmissions at a rate set by the control operator.

After a QSO is complete, only the transmitter can be dropped, allowing the operator to monitor any last comments from others by dialing the transmit access code T1 (81), but no additional digits. When this is done, the transmitter starts to reprogram, but since a valid complete frequency is not received, a misdial (error) is sensed and an ERROR signal is returned; the transmitter identifies on the last frequency it used and is then disabled, leaving the receiver on. The receiver can be dropped by dialing the access code R1 (71) and no further digits. The code 73 will drop both the receiver and transmitter and return an OK signal indicating successful receipt of that command; this causes the remote transmitter to identify a final time on the last frequency it used.

current result and the future

The prime purpose of this project was to encourage the use of 220 MHz by Amateurs in the Atlanta area. Though the selection of 220-MHz rigs available is currently limited, I hope the demand for equipment will stimulate an abundance of gear with the many bells and whistles that are now available on 2-meter rigs.

Over a year ago there were two 220-MHz repeaters on the air in the Atlanta area and only four people using them; six months ago two more operators became regular users but I was unable to convince others to invest in 220-MHz equipment. Since the remote base has been on the air, about fifteen new operators have been added to the list, and this was before demonstrations were given to the Kennebec Radio Club and the Atlanta Radio Club.

acknowledgments

I would like to thank the following Radio Amateurs who helped assemble the prototype remote base, and who provided valuable suggestions and help in preparing this article: W. C. Cloninger, W4NX; Dave Rogers, AA4DR; Boyd Cone, AG4X; and Jack Sanders, WB4CDP. Also to Judi, my very best friend, who not only assembled most of the remote base but also typed the manuscript for this article.

ham radio

HAVE TOWER - - -

WILL TRAVEL!

NOW YOU CAN HAVE A FULLY
SYNTHESIZED BASE STATION IN
YOUR CAR OR HANDI-TALKIE!
NOW AVAILABLE FROM:

"REPEATERS UNLIMITED"

A DIVISION OF

creative electronics

A FULLY SYNTHESIZED REMOTE
CONTROLLED TRANSCEIVER FOR
2 METERS.

dealers & distributors for:

- * VHF ENGINEERING
- * HUSTLER
- * PHELPS DODGE
- * HAMTRONICS
- * WACOM

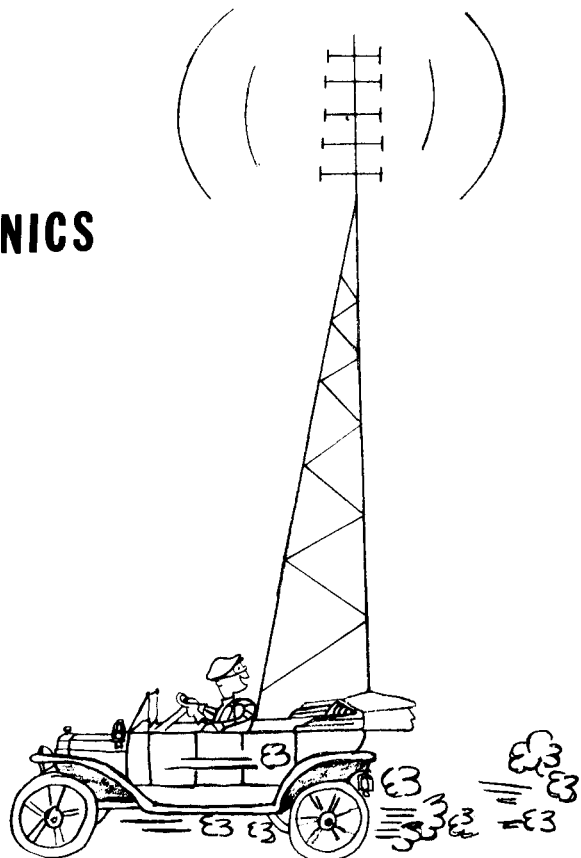
-your one-stop repeater shop-
-stock available for immediate
shipment-

PO BOX 7054

MARIETTA, GEORGIA 30065

PHONE (404) 971-2122 or outside ga.

800 241-4547





portable monoband shortwave receiver with electronic digital frequency readout

I have previously expressed my views on the advantages of monoband receivers.^{1,2} This article describes my latest effort in this regard. A portable receiver design is shown with digital frequency readout. The front end covers 2.3-6.5 MHz without band-switching. Frequency coverage can be extended by changing the rf and mixer coils. Two frequency-display options are offered depending on the i-f chosen; these are dubbed GP-58 and GP-59. The receiver weighs about 3.4 kg (8 lbs.), uses about \$250 worth of parts, and required about 450 hours to build.

general considerations

My sets are designed for portable operation, so size and power consumption are of prime importance. Although frequency readout with mechanical counters is attractive, much design and construction difficulty occurs. Judging from reader response to earlier designs,³ many prospective builders lacked facilities to homebrew a set with mechanical digital frequency readout within the standards set forth.

With the advent of electronic frequency counters designed around CMOS ICs,⁴ it's possible to read frequencies with an extremely low current drain, which makes this method of frequency measurement suitable for battery operation. The physical size of CMOS counters is also quite small, and they require fewer components than the older TTL devices.

designs

If you're interested in receiving signals below 10 MHz (as in my case), frequency readout is extremely

easy to implement by using a 9-MHz i-f. The MHz digit is read on the VFO bandswitch knob and the kHz numerals are read on the counter display (fig. 1). The VFO frequency (12.015 MHz) is set equal to the received frequency plus the i-f.

Note that, using this design option (the GP-58), the readout is entirely digital yet only three LED displays are used. Counter current drain is reduced to a bare minimum. The 9-MHz crystal filter is available for about \$50.00.

An alternative design (the GP-59) employs electronic digital frequency readout by using a 10-MHz i-f (fig. 2). This option offers more convenient frequency readout but at the price of more battery drain and a custom-made 10-MHz filter. The 10-MHz crystal filter is available in the U.S. on special order for about \$80.00. It can be home built.^{5,6} The filter in reference 6, which I've tried, is particularly attractive. It uses standard 10-MHz crystals.

A word of caution if you're planning to use the 10-MHz i-f: Some performance degradation may occur because of WWV signals feeding into the 10-MHz i-f strip. The receivers are well shielded and use a trap tuned to the i-f in the front end, but isolation may not be sufficient where the WWV 10-MHz signal is particularly strong. In this case more elaborate shielding may be required.

Despite the fact that the VFO operates in the 10-20-MHz region, extremely stable operation occurs. (Sta-

By Jack Perolo, PY2PE1C, P.O. Box 2390, São Paulo, Brasil

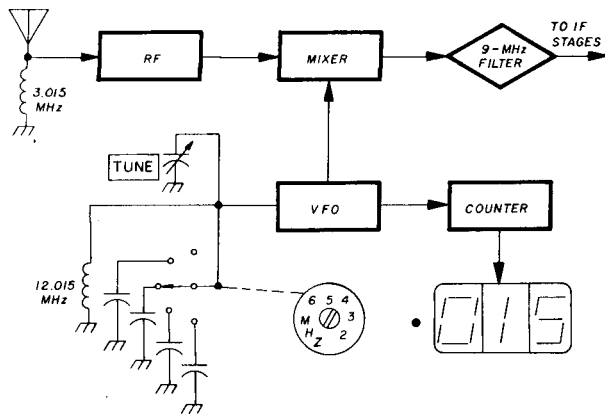


fig. 1. Electronic digital frequency readout using a 9-kHz i-f. Received signal is 3.015 kHz.

bility, sensitivity, and avc response are shown below.)

construction

The photos show the GP-58 receiver and give details for its duplication. A schematic is provided in fig. 3.

Cabinet dimensions are 140 x 65 x 160 mm (5.5 x 2.5 x 6.5 inches). Cabinet material is 16-gauge stainless steel. The cabinet was formed on a steel press. The main chassis and back panel are of 3.2-mm (1/8-inch) aluminum. All shields are of 0.8-mm (1/32-inch) thick aluminum. The PC boards are mounted on 6.4-mm diameter (1/4-inch) pillars fastened with M3 (4-40) allen screws.

coil*	description	frequency range (MHz)
L1	18t on 5-mm (3/16-in) slug-tuned ceramic form	9.0
L2, L3	6t and 55t respectively (Amidon T37-2 toroid)	2.3-6.5
L4	55t (Amidon T37-2 toroid)	2.3-6.5
L5	18t on 6.5 mm (1/4-in.) slug-tuned nylon coil form	9.0
L6	42t on 6.5-mm (1/4-in.) slug-tuned nylon coil form	9.0
L7	18t on 6.5-mm (1/4-in.) slug-tuned nylon coil form	9.0
L8	18t on 6.5-mm (1/4-in.) slug-tuned nylon coil form	9.0
L9	6t on 6.5-mm (1/4-in.) slug-tuned nylon coil form	9.0
L10	10t on 5.0-mm (3/16-in.) slug-tuned ceramic form	11.3-15.5

*all coils are wound with 0.3 mm (no. 28) enameled wire

Knobs are by National (Raytheon makes a similar design). The antbacklash gear reducer is a British import with a 1:100 ratio; the manufacturer is Muffett, Ltd. The VFO capacitor is also a British import (Windgrove and Rogers). The S-meter is a Japanese import with a 1-mA movement. (The original dial was replaced to show S-meter readings.)

The 9-MHz crystal filter is available from Yaesu dealers. Its bandwidth is 2.4 kHz at -6 dB. The i-f coils are made in Brasil and are about 15 x 15 mm (0.6 x 0.6 inch) with a 6.4-mm (1/4-inch) internal coil form.

power supply

The power supply accepts both ac and dc. It has been designed for portable operation, in which the display can be switched off to reduce battery drain. You can use a 12-volt ac supply or a 12-13 volt dc source rated at 100 mA. Current consumption at 12 volts dc is 85 mA with the counter on and about 45 mA with the counter off. For portable use I operate this set with a calculator power supply. The 13-volt zener is a surplus item and, being of nonstandard voltage, may be difficult to find. A 12-volt zener could be used.

devices

The digital displays are Fairchild FND-357. ICs 7207 and 7208 are by Intersil (described in reference 4). Note that the 7207A is *not* a replacement for the 7207. The 74LS90 is a standard low-power Schottky device available from many sources. Transistors BF-255, BD-135, and BD-136 are Siemens; BF-115 is Phillips. All other transistors are of U.S. manufacture.

performance

With the filter shown (bandwidth 2.4 kHz at 6 dB down), overall sensitivity was measured at slightly over 122 dB (while receiver tuned to 4.9 MHz):

front end and mixer	14 dB (including filter loss)
i-f strip	70 dB
audio section	38 dB

Operation is stable for the input-voltage range of 12-8

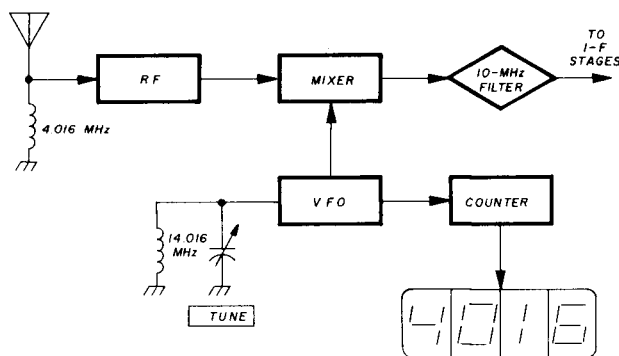


fig. 2. Electronic digital frequency readout using a 10-kHz i-f. Received signal is 4.016 kHz.

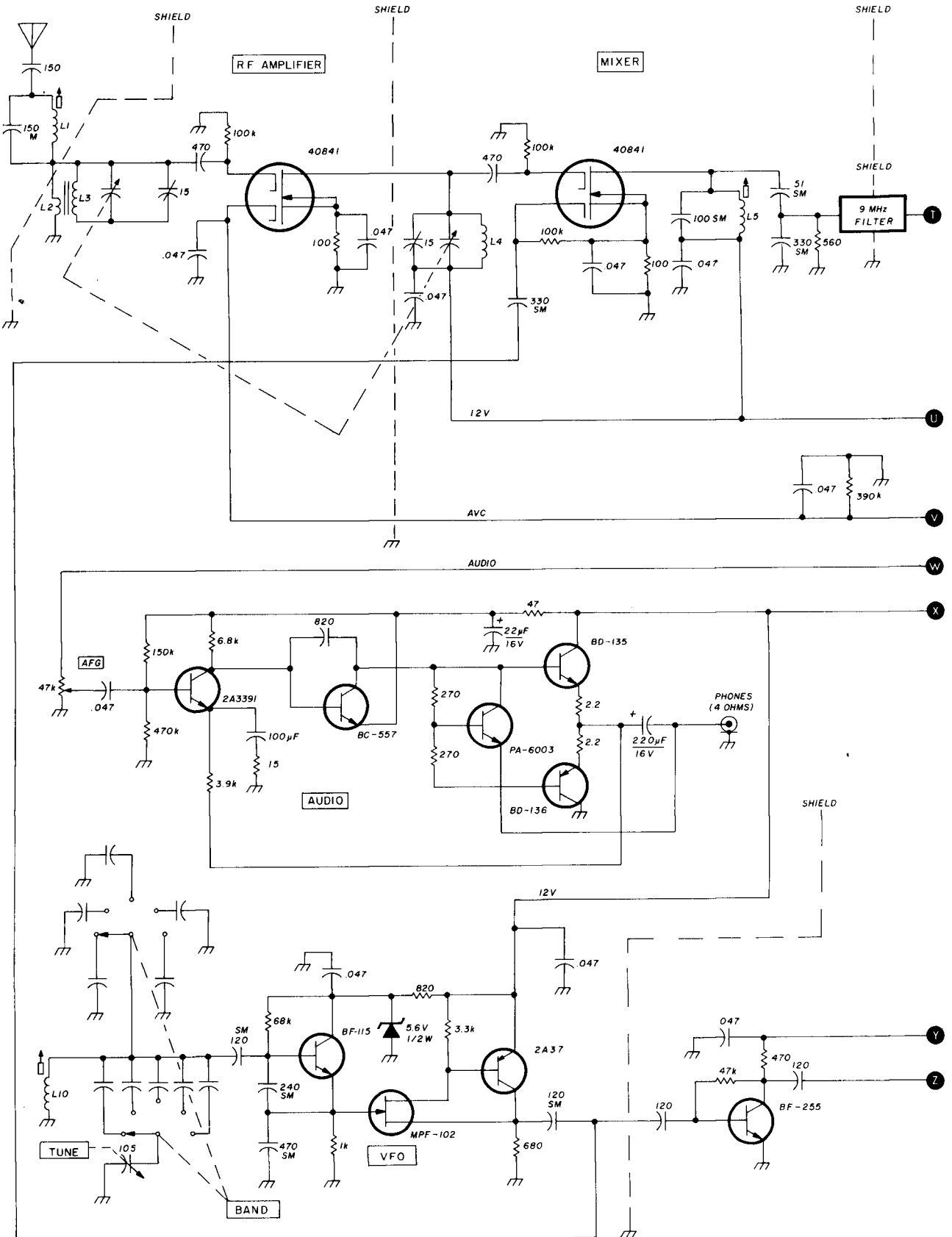
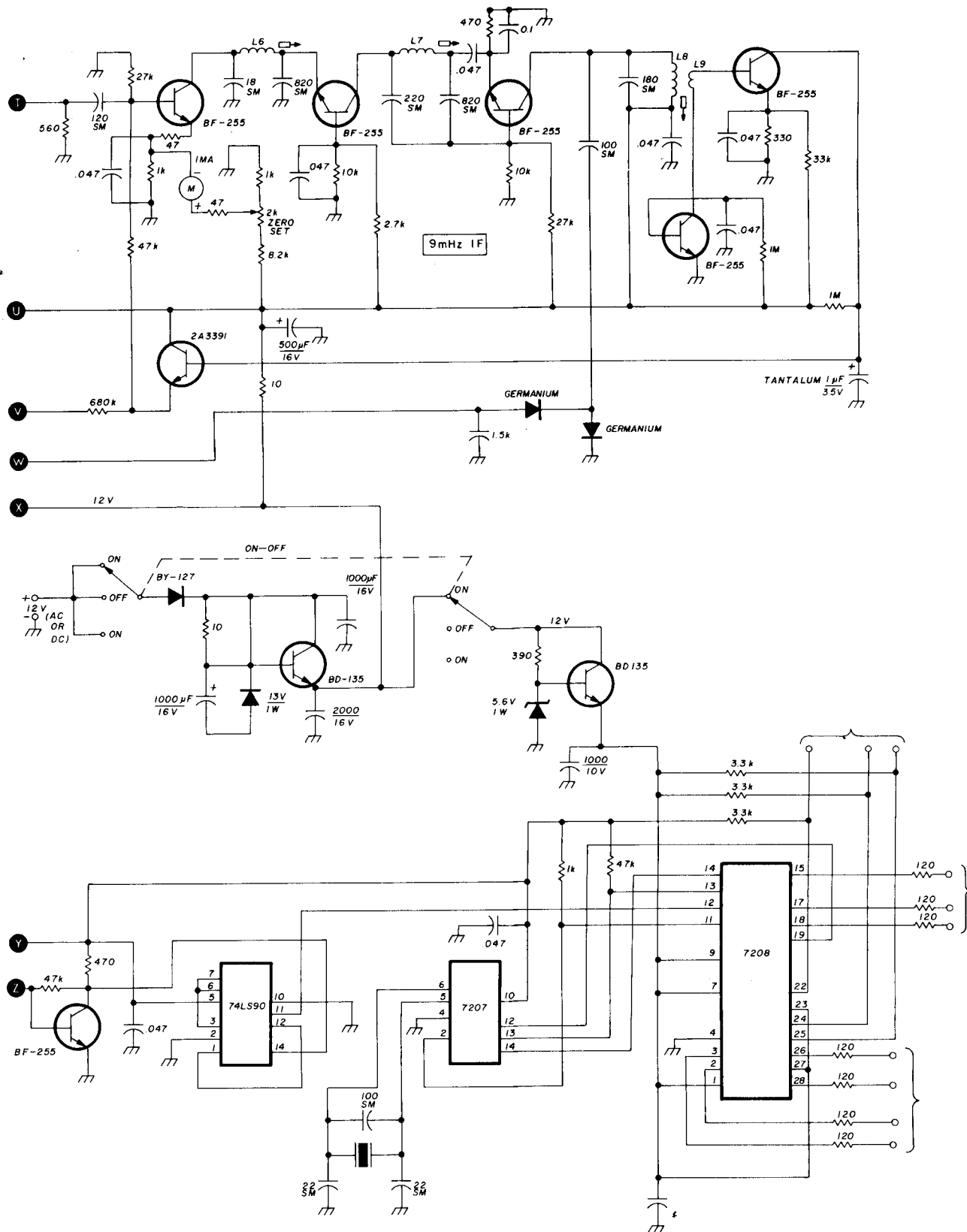


fig. 3. Schematic for the portable shortwave receiver covering 2.3-6.5 MHz. (See text for other frequency ranges.)



volts. At about 7.5 volts the counter becomes unstable. Desensitization becomes noticeable below 9 volts, with overall gain dropping to about 100 dB.

Worthy of mention is the fast-attack, slow-release avc response (also measured at 4.9 MHz):

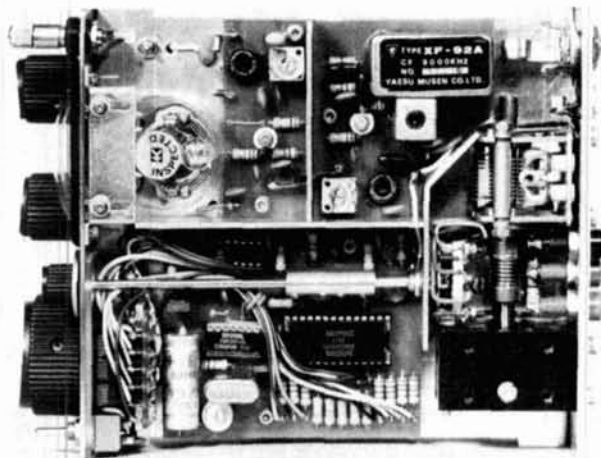
input signal (mV)	output (mV)
125	275
20	275
2	200

Counter frequency stability is excellent. Operation to 18-19 kHz was stable and reliable. (These are my qualitative observations; they were not checked specifically.)

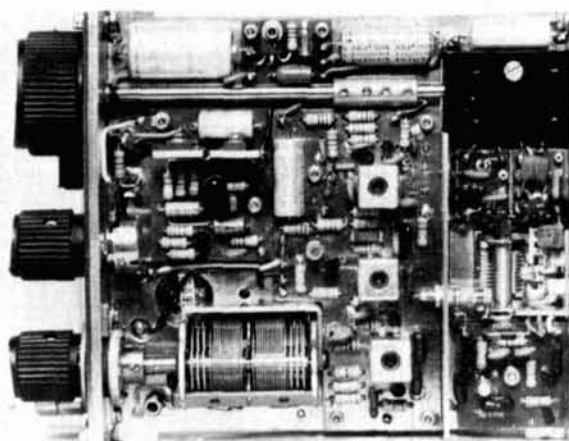
Overall stability was measured with a laboratory frequency meter. After a 5-minute warmup (radio tuned to 6.2 MHz), the frequency did not vary more than ± 25 Hz during a 15-minute period. The key to such performance is to operate the VFO transistor with V_{CC} at only 5.6 volts while selecting the best capacitive feedback ratio (see fig. 3).

conversion to other frequencies

This set was designed for shortwave broadcast listening between 2.3 and 6.5 MHz; the Amateur 80-meter band is therefore included. The Amateur 40-meter band could be covered by appropriate changes to the rf and mixer coils. For higher-frequency Amateur bands the VFO range will probably exceed the counter upper-frequency response. This problem



Top view. At top left, near the S-meter, is the rf amplifier board; at top right is the mixer board with the 9-MHz crystal filter and matching transformer. The VFO variable capacitor is at center right. Toroid coils are seen for the rf and mixer stages. Below the VFO capacitor is the VFO bandswitch and the tuning gear reducer. At bottom left is the CMOS frequency counter, which is completely shielded from all other stages. On the frequency-counter board above the bandswitch shaft are the 74LS90 IC preceded by the two amplifier stages (BF-255). The 5-volt regulated power supply is at top left near the 1000- μ F electrolytic capacitor, which is partially hidden by the cable harness.



Bottom view. The 12-volt regulated power supply is at top above the tuning shaft. The af amplifier is at center left. The rf 2-gang tuning capacitor is at bottom left. Below is the 9-kHz input trap coil. The i-f double-sided PC board is in the center. The tuning gear reducer is at top right; below it are the padder and trimmer fixed capacitors, the VFO variable capacitor and VFO coil, and the VFO board (bottom right). A shield separates the VFO from the i-f board.

could be cured either by adding a prescaler to the counter or by running the VFO below the input frequency. Note that VFO operation above 10 MHz requires the first two digits to be shown on the band-switch knob rather than only one digit as shown in fig. 1.

final remarks

I used particular care in this design to maintain low current drain without sacrificing performance. The LED displays are visible using a 120-ohm series resistor as shown in fig. 3. The af strip was adjusted for headphone operation with low quiescent current (about 12 mA), yet it can deliver peaks of over 2 watts into a 4-ohm load.

acknowledgement

I am deeply indebted to Maiso, PY2GP, for his support and to Fernando, PY2DQU, who helped with much design work and measurement equipment.

references

1. J. Perolo, PY2PE1C, "A Transistorized Communications Receiver with Digital Frequency Readout," *CQ*, July/August, 1970, page 14.
2. J. Perolo, PY2PE1C, "A General-Coverage Solid-State Communications Receiver with Direct Digital Frequency Readout," *CQ*, August, 1973, page 28.
3. J. Perolo, PY2PE1C, "Double Conversion HF Receiver with Mechanical Digital Frequency Readout," *ham radio*, October, 1976, page 26.
4. R.E. Harris, W1WP, "Simplifying the Digital Frequency Counter," *ham radio*, February, 1978, page 22.
5. J. Perolo, PY2PE1C, "Practical Considerations in Crystal Filter Design," *ham radio*, November, 1976, page 34.
6. Milton F. DeMaw, W1FB, "Simple Ladder I-f Filter," *QST*, August, 1978, page 18.

ham radio

Announcing a major breakthrough in \$250 frequency counters.



A \$149* price.



Keep the change! Our MAX-100 is remarkable, even compared to \$250 digital frequency counters. With its turn-on-and-read operating simplicity. Direct 8-digit readings. Big, bright, display. And under-20 Hz to over-100 MHz range (past 500 MHz with optional prescaler).

It has all the features you'd take for granted, even at \$250. Like high sensitivity, accuracy and stability. Lead-zero blanking. Plus visual indications of overflow and low battery. (The flashing low-voltage indication also prolongs the counter's

useful battery life!)

MAX-100 is comfortable anywhere, monitoring nearby RF transmitters with its built-in mini-whip antenna. Or any other CW, AM, or FM signal via clip-lead cable or accessory low-loss tap-off cable. Powered by your choice of alkaline cells or rechargeable nicads with battery eliminator/chargers that operate from car cigarette lighter, 110 or 220 VAC mains.

CSC's incredible MAX-100 solves all your problems but one: what to do with the \$101 change.

Smarter tools for testing and design.

CONTINENTAL SPECIALTIES CORPORATION



Call toll-free for details
1-800-243-6077
8:30AM-5:00PM Eastern Time

70 Fulton Terr., New Haven, CT 06509 (203) 624-3103, TWX 710-465-1227
OTHER OFFICES: San Francisco (415) 421-8872, TWX 910-372-7992
Europe: CSC UK LTD. Phone Saffron-Walden 0799-21682, TLX 817477
Canada: Len Finkler Ltd., Ontario

solid-state vhf linear amplifiers

With the increasing use of single sideband on 2 meters and above, more solid-state linear amplifiers are being built. The power range of these amplifiers has been extended into the 80 to 100 watt per transistor package class. However, a major difficulty occurs since the existing market is almost exclusively class C (land-mobile fm), with no linearity requirement; Amateurs want the ruggedness of the land-mobile components, with the additional features of linearity and 4-MHz bandwidth.

distortion products in linear amplifiers

Amplifiers have been in use since the inception of Amateur Radio. The term "linear" is a precise term describing the output waveform as being a constant multiplied by the input. Since only "approximately linear" amplifiers are available to us, we generally limit the term *linear* to amplifiers which have odd-order mixing (intermodulation) products 30 dB or more down from peak power. This figure was derived in the early sixties by power tube engineers at Eimac; they determined that with intermodulation products down 30 dB, an Amateur would cause minimal disturbance to an adjacent channel; the industry currently specifies most high-frequency equipment near this standard. However, in the vhf range, many solid-state amplifiers exhibit intermodulation distortion products similar to that of a class-C amplifier. In fact, one amplifier tested showed near identical intermodulation performance with or without forward bias.

causes of nonlinearity

The sources of nonlinearity can be related to three major areas in bipolar semiconductors: the input, the transfer function, and the output. The input characteristics are affected by two components: the base-emitter diode and the base resistance. The base-emitter diode will function as a detector or mixer. This nearly-ideal diode responds as predicted by the diode equation with a full set of harmonics and mixer products when driven by a sinusoidal input. The base

resistance also changes in a nonlinear fashion because of base-width modulation and resistivity changes by heavy injection of minority carriers. However, these changes are masked somewhat by the effects of the base-emitter diode.

The second problem area is the transfer function, the variation of h_{fe} with current. This variation is dependent upon the device-doping profiles which are fixed by the semiconductor manufacturer. High-frequency (2-30 MHz) linear components show less change in h_{fe} than do the class-C parts we must use on 2 meters.

The output characteristics of the transistor are a third source of intermodulation products. These relate to the junction capacitances and the voltage across the junctions. Fortunately, the output characteristic contributions are minor when compared with the total problem.

Fig. 1 shows a transistor model that I borrowed from Amprex which illustrates the effects and contributions of the various components. Note that I have added an input T network similar to the input of a J0 packaged rf power device.

optimization of linearity

The two predominant areas, within the design, that control linearity are choice of operating point and the matching networks. The base-emitter diode is not practical because of series impedances within the transistor package; high emitter currents reduce distortion by reducing the applied signal voltage across the diode. The emitter resistance, R_e , will contribute to this effect as does the package inductance. Increasing the collector current excessively will slide the operating area into the saturation region where the nonlinear transfer effects (h_{fe}) will predominate. I have found that close attention to this detail and presenting the proper load impedance to the transistor will provide acceptable IMD products.

By Charles F. Clark, AF8Z, 3720 Blue Mound,
N.E., Cedar Rapids, Iowa 52402

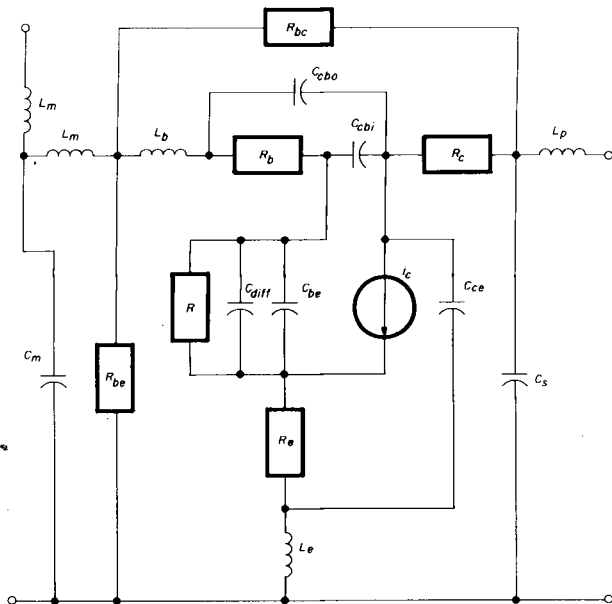


fig. 1. Equivalent circuit of a J0 packaged rf transistor in the common-emitter configuration. In addition to the basic model described by Amperex, the author has added a T network at the input to approximate the J0 package.

biasing

The biasing of vhf power devices should be the same as that of high-frequency devices. The characteristics of this bias source should include a thermal cutback, to prevent a shift of the operating point when the transistor die heats up, and a low-impedance, constant-voltage source. These seemingly contradictory requirements are created by the drop in base-emitter voltage with temperature and the rectification of drive in the base-emitter junction. A typical 80-watt high-frequency device might experience a 200-mA change in base-current drive requirements because of this effect. These changes make the paralleling of devices even more difficult than at high frequencies. If you must parallel devices, match V_{BE} (on) and h_{fe} .

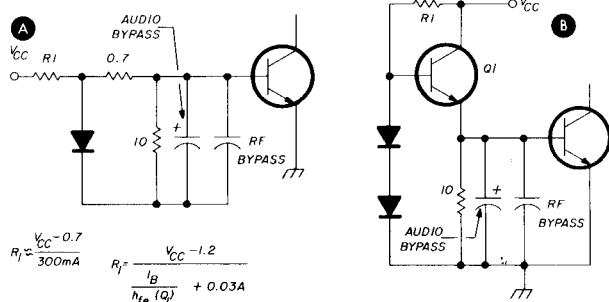


fig. 2. Four different methods for supplying base current. (A) illustrates a simple diode clamp/Byistor circuit. The Byistor provides superior thermal runaway performance. By changing to the series regulator (B) instead of shunt regulators, the current requirement is reduced by $1/h_{fe}$. (C) shows another version which incorporates a simple transistor amplifier. This circuit, along with (D), is an active bias supply which features high current capability and low output impedance.

practical bias circuits

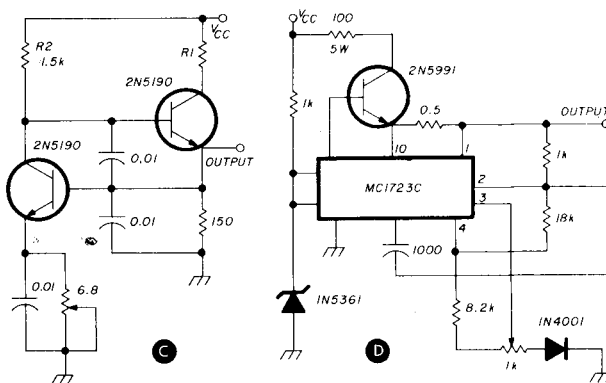
There are many bias circuits which meet the following two requirements: the dc base voltage is constant with rf drive level variations, and the dc base voltage decreases as die temperature rises within the package. The diode clamp and Byistor are two extremely similar circuits which meet these requirements. The Byistor offers superior protection from thermal runaway because the increase in voltage drop across the silicon resistor lowers the bias voltage. The diode clamp, without the series resistor, offers a lower source impedance. The Byistor has an output impedance of about one ohm. The current required for the diode clamp does not change appreciably over the operating cycle (see fig. 2A). The base current requirement can be in the 200 to 400 mA area.

A reduction in current requirements may be obtained by using a series, rather than a shunt, regulator. The simplest is a diode clamp circuit feeding the base of a pass transistor (see fig. 2B). A second series diode is added to compensate for the base emitter drop of the emitter follower. This reduces the current required from the diode source by $1/h_{fe}$. Single-transistor amplifiers work well, as demonstrated by the circuit from Amperex shown in fig. 2C. The variable resistor is used to set the output voltage. This circuit has an output impedance of approximately 0.1 ohm for a 360-mA current variation.

Operational amplifier circuits provide even lower output impedances and may feature current limiting and an even greater range of operating points (see fig. 2D). If you are interested in superior performance, this type of circuit is appropriate.

bias circuits precautions

Always begin experimentation with minimum bias voltage. The h_{fe} of rf devices designed for class-C



operation varies widely, unless specified at a certain value. The bias voltage may be set at a fixed value once the desired current is determined for a specific transistor.

Mount the temperature sensor to the rf transistor's package for maximum protection against thermal runaway. The second best is to mount the sensor on the heatsink near the rf transistor. *Never* expect protection against thermal runaway if the diode or transistor sensor is floating with its leads in the air.

L-network matching

Input and output impedance matching can be performed by using a series of L-matching sections. The L match (see fig. 3) is a minimum Q match and is

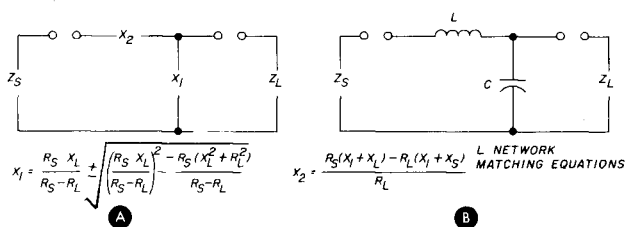
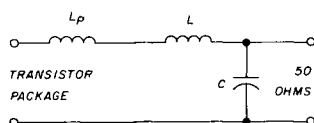


fig. 3. Schematic diagram of an L network and the necessary design equations. The lowpass prototype at the output of the transistor provides additional harmonic filtering which may make additional filters unnecessary.

ideal for matching across an entire Amateur vhf band. The maximum impedance transformation should be less than 5:1, if possible. A 10:1 transformation, however, may be possible with real world components, if care is used.

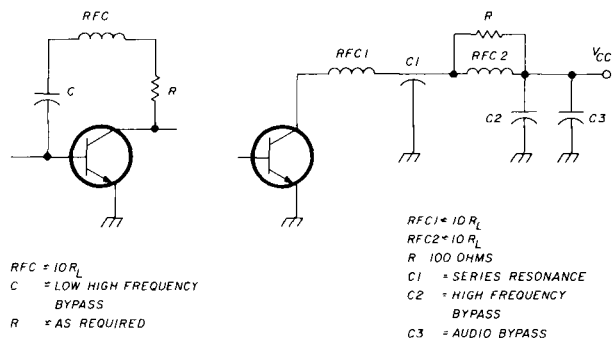
When matching the output of the transistor to 50 ohms, a lowpass matching section reduces the required filtering at the output of the unit. My experience has shown that harmonic levels will be approximately 40 dB down, without additional filtering. The design of the first L-matching section is performed with the package inductance in mind.



low-frequency stability

Low-frequency oscillations can occur between several hundred kHz and several MHz if suitable precautions are not taken. These oscillations are quite troublesome, and the high low-frequency gain of the device and the mismatch presented to the collector can cause thermal runaway and destruction of the transistor before the thermal foldback can prevent runaway. Therefore, design must guard against this

possibility by either bypassing the collector in a suitable fashion or using a feedback network that kills gain at the low frequencies.



The networks shown above will cure most problems caused by the classical modes of oscillation. As an aid, here are some basic rules of thumb that can be used to rate different rf transistors and the low-inherent frequency stability:

1. Low frequency gain should be as low as possible (low h_{fe}).
2. Emitter resistance or inductance decreases gain and therefore increases low-frequency stability.
3. High collector resistivity lowers gain.

This sums up the low-frequency stability problems; other new problems, however, crop up with the increase in gain to linear circuits — vhf parasitics. The parasitics are due to excessive emitter inductance and feedback from the collector forming a grounded-base oscillator. These oscillations may be killed by a further increase in emitter inductance, with the resulting loss of gain, or by a reduction in emitter inductance and a gain increase. It is wise to note that 3.2-mm (1/8-inch) increases on all four emitter leads of a J0 package will cause a 3-8 dB decrease in gain; it is possible to get only 8-10 dB at best. Obviously, decreasing the emitter inductance is a superior course of action. This can be done by

1. Using copperfoil to strap the grounds of the printed circuit board together, or using eyelets to do the same.
2. Mounting the base-to-emitter and emitter-to-collector capacitors on top of the transistor leads.

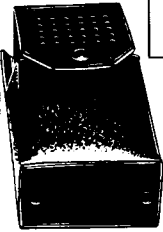
This mode of oscillation is supported by the output matching network and from computer aided analysis seems to be present in all the matching networks I've compared. One way to determine if this is the case in your amplifier is to add additional capacitors to the base circuit; if you still draw excessive collector current, the chances are you have a common-base oscillator.

ham radio

1-800-228-4097

CALL TOLL FREE

Hy-Gain 3806 2-Meter Hand-Held Amateur Transceiver



SPECIAL PRICE \$109.95

- Low cost, 6-channel hand-held provides superb voice transmission over short to medium distances
- Sharply tuned on-frequency selectivity in the RF amplifier stages plus FET's in the 1st and 2nd mixers for virtual immunity to out-of-band signals intermodulation distortion and cross-modulation
- Separate microphone and speaker elements for enhanced audio
- Internally adjustable mic preamp—a Hy-Gain exclusive
- Specially gasketed case seals out water, dirt and corrosive salt air
- Watertight, high-impact ABS plastic case—ribbed for non-slip grip
- Top-mounted controls for instant access

Model No.	Description	Price
800-1	Fixed Battery Pack	\$11.95
800-2	2-Meter Tune Part	\$24.95
100-1	Ant. Battery Charger	\$19.95
11-1	Separate Lighter Adap.	\$19.95
11-2	Antenna Adapter Cord	\$19.95
11-3	Carrying Case (Leather)	\$19.95
11-4	Carrying Case (Vinyl)	\$19.95
11-5	High-Dielectric Antenna	\$19.95
11-6	Crestal Certificates	\$19.95

PLEASE ENCLOSE \$2.50 FOR SHIPPING AND HANDLING PER UNIT

CALL TOLL FREE 1-800-228-4097

for Quality Ham Radio Products at Discount Prices

- | | | | |
|-----------|-----------|---------|-----------------|
| KENWOOD | DENTRON | MIRAGE | E.T.O. ALPHA |
| YAESU | HY-GAIN | SWAN | VHF ENGINEERING |
| DRAKE | MOSLEY | TEMPO | BERK-TEK CABLE |
| ICOM | CUSHCRAFT | TEN-TEC | ROBOT-SSTV |
| AEA | WILSON | MIDLAND | SAY |
| PANASONIC | HUSTLER | CDE | SHURE |
| BENCHER | LARSEN | AUTEK | TELEX |

Our Mail Order Hours (CST)

M-F 8 am to 10 pm
Saturday 8 am to 5 pm
Sunday Noon to 8 pm

Call and Talk to

Don WBØYEZ
Denny WØQR Blaine WBØQLH
Bill WBØYHJ Bob WBØRQZ
Joe WAØWRI Jim KAØCRK

Communications Center

443 N. 48th, Lincoln, Nebraska 68504

In Nebraska Call (402)466-8402

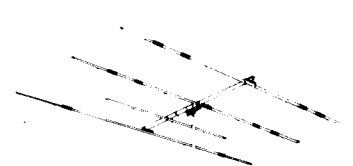


CALL TOLL FREE

1-800-228-4097

Communications Center

443 N 48th Street
Lincoln, Nebraska 68504
In Nebraska Call (402)466-8402



Antenna Sale!

		HY-GAIN					
		Regular	Special	Regular	Special		
TH6DXX	Super Thunderbird	\$329.95	\$259.95	18HT	Hy-Tower 80-10M vertical	\$359.95	\$289.95
TH3MK3	3 el. 10-15-20M beam	222.95	179.95	18AVT/WB	80-10M Trap vertical	105.95	84.95
TH3JR	3 el. 10-15-20M beam	169.95	139.95	14AVO/WB	40-10M Trap vertical	69.95	57.00
Hy-Quad	2 el. 10-15-20M Quad	274.95	219.95	12AVQ	20-10M Trap Vertical	42.95	34.95
205BA	5 el. "Long John" 20M beam	329.95	259.95	14RMQ	Roof Mounting kit (verticals)	33.95	29.95
155BA	5 el. "Long John" 15M beam	199.95	159.95	5BDQ	80-10M Trap doublet	109.95	89.95
105BA	5 el. "Long John" 10M beam	129.95	109.95	2BDQ	80-40M Trap doublet	59.95	49.95
204BA	4 el. 20M beam	249.95	199.95	66B	6 el. 6M beam	119.95	99.95
204MK5	5 el. conversion kit	99.95	79.95	203	3 el. 2M beam	15.95	14.95
153BA	3 el. 15M beam	89.95	79.95	205	5 el. 2M beam	21.95	19.95
103BA	3 el. 10M beam	74.95	59.95	208	8 el. 2M beam	29.95	26.95
402BA	2 el. 40M beam	239.95	189.95	214	14 el. 2M beam	34.95	29.95
BN-86	Balun for beam antennas	15.95	15.95	LA-1	Deluxe lightning arrester	59.95	49.95
TH2MK3	2 el. 10-15-20M beam	149.95	119.95	TH5DX	5 el. 10-15-20M beam	269.95	209.95

		MOSLEY			
		Regular	Special		
Classic 33	3 el. 10, 15, 20 Mtr. beam	304.75	209.95		
Classic 36	6 el. 10, 15, 20 Mtr. beam	392.75	249.95		
TA-33	3 el. 10, 15, 20 Mtr. beam	264.00	189.95		
TA-36	6 el. 10, 15, 20 Mtr. beam	392.75	249.95		
TA-33 Jr.	3 el. 10, 15, 20 Mtr. beam	197.00	149.95		
TA-40KR	40 Mtr. Add On	119.95	89.95		

		CUSHCRAFT					
ATB-34	4 ele. 10, 15, 20 Mtr. beam	289.95	229.95	A147-11	11 ele. 146-148 Mhz. beam	39.95	32.95
ATV-4	10, 15, 20, 40 Mtr. Vertical	99.95	84.95	A147-22	22 ele. Power Pack	119.95	95.95
ATV-5	10, 15, 20, 40, 80 Mtr. Vertical	109.95	89.95	A144-10T	2 Mtr. "Twist" 10 ele.	49.95	39.95
ARX-2	2 Mtr. Ringo Ranger	39.95	32.95	A144-20T	2 Mtr. "Twist" 20 ele.	69.95	56.95
AR-6	6 Mtr. Ringo	39.95	32.95	A147-20T	2 Mtr. beam	67.95	54.95
ARX-220	220 Mhz. Ringo Ranger	39.95	32.95	A430-11	432 Mhz. 11 ele. beam	37.95	31.95
ARX-450	435 Mhz. Ringo Ranger	39.95	32.95	A432-20T	430-436 Mhz. Beam	59.95	49.95
A144-11	11 ele. 144-146 Mhz. beam	39.95	32.95				

		HUSTLER			
3-TBA	3 ele. 10, 15, 20 Mtr. beam	259.95	189.95		
4-BTV	10-40 Mtr. Vertical	109.95	79.95		
5-BTV	10-80 Mtr. Vertical	139.95	99.95		
RM-75	75 Meter Resonator	18.95	15.95		
RM-75S	75 Meter Super Resonator	38.95	29.95		
G6-144B	2 Mtr. Base Colinear	89.95	69.95		
G7-144	2 Mtr. Base Colinear	139.95	99.95		
G7-220	220 MHz Base Colinear	129.95	89.95		

		ROTORS			
HAM 4	\$159.95	T2X Tailtwister	\$219.95	Alliance HD 73	\$109.95

Call for prices on rotor cable, Coax, Towers, and Accessories. All prices do not include shipping.

We carry all major brands of ham radios AT DISCOUNT PRICES

Kenwood — Yaesu — Drake — ICOM — Dentron —
Ten-Tec — Swan — Tempo — Midland — E.T.O. — Wilson



amateur radio equipment survey number two

If you have read the results of our User's Survey on the Drake Twins in the December, 1979, issue of *Ham Radio Horizons*, it's almost a sure bet that you are ready to give us your thoughts on some equipment that you own, or have used.

Well, here's your chance — if you own a Heath HW/SB-104, a Ten-Tec Triton IV, or a Yaesu FT-101B (or later).



I know, from looking at equipment advertisements in classified sections, from comments made on the air, and from correspondence, that there are sizeable numbers of each of these rigs in use in the Amateur world, so your response should be a pretty fair cross-section of opinion about these three rigs. Look carefully at the letter suffix on the FT-101, if that's your rig. I'm limiting the questions to those with a suffix of B, or later, because the first FT-101s on the market were not really the same as the later ones. The engineering changes in more recent 101s were sufficient that they're almost different rigs, at least as far as operating problems and servicing are concerned. Also, here's your chance to sound off about a rig you may have assembled — the HW-104 or SB-104.



There's a space for you to give the Instruction/Assembly manual a rating, which will prove useful to newcomers who want to build a rig, and to manufacturers who print manuals and instructions.

Now, about that rating system . . . It was very clear, as I tabulated the results of Survey Number 1, that it was too easy. People who "loved" their Drake

equipment just jotted down a 10, while those who had many problems of one sort or another gave it a rating of 1. The histograms with the report in this issue reflect this; the "weight" is all at the upper end of the scale. Accordingly, I've changed the rules just a bit, and you'll have to spend a few more seconds thinking about your rig before you give it a number. For instance, 10 now means the rig is perfect. (If an overwhelming majority of the answers indicate any one particular rig is *perfect*, I'm going to start wondering about some of the "good deals" I've been conned into!)

Other revisions on the form simply removed a somewhat redundant question, as in the case of "Best Feature," and "Why?" Most of the respondents named the best feature and told why in one long paragraph, or else they knew *what* the best feature was, but couldn't find the right words to explain *why*. The same goes for "Worst Feature."



These changes also leave a bit more room in the next question for an explanation of troubles.

Plans for future User's Surveys call for a trio of vhf rigs, and then some more high-frequency types. By that time, there should be a fair population of the newest crop of rigs in use, such as the TR-7s, the 901s, the Omni D, and many others that came on the market in late 1978 and 1979.

It's going to be an interesting winter — and I may have to learn to use a minicomputer in self-defense. Fill out the form, and drop it in the mail right away. Here's another change you'll notice — our address is given at the bottom of the second page, thanks to several of you who suggested that we print it on the form.

ham radio

By Thomas McMullen, W1SL, Managing Editor, *Ham Radio Horizons*

HAM RADIO HORIZONS

Owner Report on Amateur Radio Equipment

(Fill out this form in accordance with your experience. Please type or print clearly.)

1. Make and Model (circle *one* only) Heath HW/SB-104 or 104A Ten-Tec Triton Yaesu FT-101B (or later)
2. What year did you buy it? _____ New? _____ Used? _____
3. Where did you buy it? Dealer _____ Mail Order _____ Individual _____ Flea Market _____
800 Number _____ Other _____
4. Would you buy from the same source again? _____
5. Amount of use: Daily _____ Often _____ Occasional _____ Seldom _____
6. Is this your primary _____ or backup _____ rig?
7. What modes have you used? CW _____ SSB _____ RTTY _____ SSTV _____ AM _____ Other _____
8. Heath HW/SB-104: Did you assemble it? Yes _____ No _____
9. What is the rig's best feature? _____

10. Worst feature? _____

11. Have you had any problems? _____ Explain _____

12. Have you had the rig serviced? _____ Where? Manufacturer _____ Dealer _____ Other _____
13. Was the service satisfactory? Yes _____ No _____
14. What accessories have you purchased for this rig? _____
15. Have you been able to obtain all the accessories and parts you need? _____

16. Have you been satisfied with these accessories? Yes _____ No _____

17. If not, why? _____

18. Additional features you would like to see built into a rig of this type _____

19. Give the equipment a score from 1 to 10 (with 1 being poorest, 4 to 6 average, and 10 perfect).

Ease of operation _____

Performance _____

Reliability _____

Maintenance _____

Durability
(in continuous use) _____

Parts Availability _____

Instruction Book
(Assembly Manual) _____

Accessories
(ease of connection) _____

Factory/Dealer Service _____

Price _____

Quality of Workmanship _____

Flexibility _____

20. How long have you been licensed? _____ Your Age _____ License Class _____

Principal activities: Contest _____ DX _____ Rag Chewing _____

Traffic Handling _____ Experimenter _____

21. What antenna do you use most? Beam _____ Wire _____ Vertical _____ Other _____

22. What rig would you like to see reported on in the future? _____

23. Would you buy this same rig again? _____

24. (Optional: fill in the following only if you wish.)

Submitted by: Name _____ Call _____

Address _____

City _____ State _____ Zip _____

(Signature)

(Your signature authorizes *Ham Radio Horizons* to quote portions of your comments in our report.) May we use your name and/or call?

Yes _____ No _____

Note: If you own more than one of the rigs indicated, please write to us for additional copies of this form. Use a separate form for a report on each rig.

Completed survey forms must be returned no later than January 31, 1980, to be included in our report.

Mail To: Ham Radio Horizons, User's Report No. 2, Greenville, NH 03048

Low Cost...High Performance

DIGITAL MULTIMETER



\$99.⁹⁵ WIRED

Low cost, high performance, that's the DM-700. Unlike some of the hobby grade DMMs available, the DM-700 offers professional quality performance and appearance at a hobbyist price. It features 26 different ranges and 5 functions, all arranged in a convenient, easy to use format. Measurements are displayed on a large 3½ digit, ½ inch high LED display, with automatic decimal placement, automatic polarity, and overrange indication. You can depend upon the DM-700, state-of-the-art components such as a precision laser trimmed resistor array, semiconductor band gap reference, and reliable LSI circuitry insure lab quality performance for years to come. Basic DC volts and ohms accuracy is 0.1%, and you can measure voltage all the way from 100 μ V to 1000 volts, current from 0.1 μ A to 2.0 amps and resistance from 0.1 ohms to 20 megohms. Overload protection is inherent in the design of the DM-700, 1250 volts, AC or DC on all ranges, making it virtually goof proof. Power is supplied by four 'C' size cells, making the DM-700 portable, and, as options, a nicad battery pack and AC adapter are available. The DM-700 features a handsome, jet black, rugged ABS case with convenient retractable tilt bail. All factory wired units are covered by a one year limited warranty and kits have a 90 day parts warranty.

Order a DM-700, examine it for 10 days, and if you're not satisfied in every way, return it in original form for a prompt refund.

Specifications

DC and AC volts: 100 μ V to 1000 Volts, 5 ranges
 DC and AC current: 0.1 μ A to 2.0 Amps, 5 ranges
 Resistance: 0.1 Ω to 20 megohms, 6 ranges
 Input protection: 1250 volts AC/DC all ranges fuse protected for overcurrent
 Input impedance: 10 megohms, DC/AC volts
 Display: 3½ digits, 0.5 inch LED
 Accuracy: 0.1% basic DC volts
 Power: 4 'C' cells, optional nicad pack, or AC adapter
 Size: 6"W x 3"H x 6"D
 Weight: 2 lbs with batteries

Prices

DM-700 wired + tested	\$99.95
DM-700 kit form	79.95
AC adapter/charger	4.95
Nicad pack with AC adapter/charger	19.95
Probe kit	3.95

TERMS: Satisfaction guaranteed or money refunded, COD, add \$1.50. Minimum order \$6.00. Orders under \$10.00, add \$.75. Add 5% for postage, insurance, handling. Overseas, add 15%. NY residents, add 7% tax.



600 mHz COUNTER



\$99.⁹⁵ WIRED

The CT-70 breaks the price barrier on lab quality frequency counters. No longer do you have to settle for a kit, half-kit or poor performance, the CT-70 is completely wired and tested, features professional quality construction and specifications, plus is covered by a one year warranty. Power for the CT-70 is provided by four 'AA' size batteries or 12 volts, AC or DC, available as options are a nicad battery pack, and AC adapter. Three selectable frequency ranges, each with its own pre-amp, enable you to make accurate measurements from less than 10 Hz to greater than 600 mHz. All switches are conveniently located on the front panel for ease of operation, and a single input jack eliminates the need to change cables as different ranges are selected. Accurate readings are insured by the use of a large 0.4 inch seven digit LED display, a 1.0 ppm TCXO time base and a handy LED gate light indicator.

The CT-70 is the answer to all your measurement needs, in the field, in the lab, or in the ham shack. Order yours today, examine it for 10 days, if you're not completely satisfied, return the unit for a prompt and courteous refund.

Specifications

Frequency range: 10 Hz to over 600 mHz
 Sensitivity: less than 25 mv to 150 mHz
 less than 150 mv to 600 mHz
 Stability: 1.0 ppm, 20-40°C: 0.05 ppm/°C TCXO crystal time base
 Display: 7 digits, LED, 0.4 inch height
 Input protection: 50 VAC to 60 mHz, 10 VAC to 600 mHz
 Input impedance: 1 megohm, 6 and 60 mHz ranges 50 ohms, 600 mHz range
 Power: 4 'AA' cells, 12 V AC/DC
 Gate: 0.1 sec and 1.0 sec LED gate light
 Decimal point: Automatic, all ranges
 Size: 5"W x 1½"H x 5½"D
 Weight: 1 lb with batteries

Prices

CT-70 wired + tested	\$99.95
CT-70 kit form	75.95
AC adapter	4.95
Nicad pack with AC adapter/charger	14.95
Telescopic whip antenna, BNC plug	7.95
Tilt bail assembly	3.95

ramsay electronics

BOX 4072, ROCHESTER, N.Y. 14610
 PHONE ORDERS CALL
 (716) 271-6487

R-820/TS-820S



SP-820

R-820

TS-820S

TS-820S

The TS-820S is a very popular 160-10 meter SSB/CW/RTTY transceiver, preferred by DX operators and other particular Amateurs. It employs a single-conversion PLL circuit.

TS-820S FEATURES:

- 200 W PEP SSB/160 W DC CW/100 W DC FSK input on 160-10 meters.
- Digital frequency display, with backup monoscale analog dial.
- IF shift (receiver passband tuning) to eliminate interference.

- RF speech processor.
- Effective noise blanker.

OPTIONAL ACCESSORIES:

- CW-820 (YG-88C) 500-Hz CW filter.
- DS-1A DC-DC converter.
- AT-200 antenna tuner.



SP-820

TS-820S

VFO-820

R-820

The R-820 is a highly sophisticated HF receiver for the Amateur who wants the highest quality with the most operating features. A combination of the R-820 and TS-820S provides the ultimate HF operating system.

R-820 FEATURES:

- Full transceive operation with TS-820S, providing full frequency control with either unit.
- Covers 160-10 meters, as well as WWV (15.0-15.5 MHz), and four shortwave broadcast bands (49, 31, 25, and 16 meters).
- Receives SSB, CW, AM, and RTTY modes.
- Double-tuned RF stages and improved dynamic range.
- IF shift (passband tuning).
- Variable bandwidth tuning (VBT).
- Very sharp, deep notch circuit... in 50-kHz IF.
- Provisions for extra-sharp 455-kHz IF filters.
- Noise-blanker with variable threshold level.
- Digital frequency display, with backup analog dial.

OPTIONAL ACCESSORIES:

- YG-88C 500-Hz CW filter, for first IF.
- YG-88A 6-kHz AM filter, for first IF.
- YG-455C 500-Hz filter, for second IF.
- YG-455CN 250-Hz filter, for second IF.



TV-502S TV-506
(not for TS-520SE)

AT-200

ACCESSORIES FOR TS-820 AND TS-520 SERIES

AT-200 antenna tuner handles 200 W, 160-10 meters.
TV-502S 2-meter transverter covers 144-146 MHz. (Not intended for TS-520SE.)
TV-506 6-meter transverter covers 50-54 MHz. (Not intended for TS-520SE.)



TL-922A

The TL-922A linear amplifier for all Kenwood HF equipment provides maximum legal power on the 160-15 meter Amateur bands, employing a pair of EIMAC 3-500Z high-performance transmitting tubes.

TL-922A FEATURES:

- 2000 W PEP (SSB)/1000 W DC (CW, RTTY) input power on 160-15 meters, with 80 W drive.
- Excellent IMD characteristics.
- Safety protection.
- Blower with automatic delay circuit.
- Variable threshold level type ALC.



SM-220

The SM-220 Station Monitor is capable of various monitoring functions, and performs as a wideband oscilloscope, and is expandable for pan-display operation.

SM-220 FEATURES:

- Monitors transmitted SSB and CW waveforms from 1.8 to 150 MHz.
- High-sensitivity, wide-frequency-range (up to 10 MHz) oscilloscope.
- Monitors received signals in IF stage.
- Tests linearity of linear amplifiers (provides trapezoid pattern).
- Allows observation of RTTY tuning points (cross pattern).
- Built-in two-tone (1000-Hz and 1575-Hz) generator.
- Expandable to pan-display capability for observing the number and amplitude of stations within a switchable ± 20 kHz/ ± 100 kHz bandwidth.

OPTIONAL ACCESSORIES:

- BS-8 pan-display module for TS-180S and TS-820 series.
- BS-5 pan-display module for TS-520 series.

TS-120S

(MC-35S
MIKE
OPTIONAL)



Truly a "big little rig," the TS-120S has created a new excitement in HF communications for highly versatile Amateur operation. The compact, all solid-state 80-10 meter transceiver, with up to 200 watts PEP input, requires no tuning and includes a large digital readout, making it ideal for mobile operation. IF shift and other important features make it a high-quality rig for the ham shack as well.

TS-120S FEATURES:

- All solid-state with wideband amplifier stages. No final dipping or loading, no transmit drive peaking, and no receive preselector tuning.
- Transceives on 80 through all of 10 meters, and receives WWV on 15 MHz.
- 200 W PEP/160 W DC input on 160-15 meters, and 160 W PEP/140 W DC on 10 meters. LSB, USB, and CW
- Digital frequency display (standard) shows actual frequency. Backup analog subdial also included.
- IF shift (passband tuning) to eliminate QRM.
- Advanced PLL circuit, with improved stability and spurious characteristics on transmit and receive.
- Effective noise blanker.
- Built-in cooling fan, which activates automatically when final amplifier heatsink temperature rises to 90° C.
- Protection circuit for final transistors.
- VOX.

OPTIONAL ACCESSORIES:

- YK-88CW 500-Hz filter.
- MB-100 mobile mount.



AT-120

AT-120 antenna tuner with mobile mounting bracket included. Features SWR meter and matches 50-ohm input to 20-300 ohms unbalanced output. Handles 150 watts (120 watts on 80 meters).



SP-520

TS-520SE W/DG-5

VFO-520S

TS-520SE FEATURES:

- Covers 160-10 meters and receives WWV on 15 MHz.
- 200 W PEP input on SSB and 160 W DC on CW.
- CW WIDE/NARROW bandwidth switch, for use with the optional CW-520 500-Hz CW filter.
- Digital display with optional DG-5, showing actual frequency.
- Speech processor, effective in DX pileups.
- VOX and semi-break-in CW with sidetone.
- Built-in 25-kHz calibrator.

The TS-520S is still available, with DC (mobile) operating capability (with the optional DS-1A DC-DC converter) and transverter terminals, which were eliminated from the TS-520SE.

OPTIONAL ACCESSORIES:

- CW-520 500-Hz CW filter.
- AT-200 antenna tuner.

TS-520SE

The TS-520SE is an economical version of the TS-520S...the world's most popular 160-10 meter Amateur transceiver. Now, any Amateur can afford a high-quality HF transceiver for his ham shack.

expanded memory for the Autek MK-1 programmable keyer

Additional 2120AL RAM chips
and switching logic allow
memory capacity increase

Many on-the-air contacts confirm the popularity of the Autek Research MK-1 memory keyer. It's a superb performer and not too expensive. Recently a good friend, Mr. Meyer Minchen (AG5G), asked for my help in expanding the memory capability of his MK-1. What follows is a description of a simple and inexpensive addition to the keyer that can increase its memory capacity by as little or as much as desired.

The heart of the MK-1 memory is the versatile 2102 random-access memory (RAM) chip. It's capable of storing up to 1024 bits of data and comes in a 16-pin, dual-inline package. One very important feature of this chip is its TRI-STATE™ outputs, which allow any number of 2102s to be paralleled as long as only one memory is enabled at a time. The logic state of pin 13 determines whether the chip is active. By switch selecting one — and only one — chip at a

time, the total memory capacity can be increased to virtually any amount.

construction

Fig. 1 shows how simple this system actually is. In AG5G's case, five additional 2102s were added to the original memory for a total capacity of 6144 bits, a substantial increase.

AG5G's method of constructing the memory is unique and bears serious consideration by those interested in this modification. The original 2102 (Q12 on the Autek schematic) was removed and replaced with a 16-pin DIP header purchased from the local Radio Shack store (part 276-1980). A single 2102 was soldered to the exposed pins of the DIP header with the exception of pin 13 (the chip enable pin), which was bent out at a right angle. A second 2102 was then soldered directly to the first chip, piggyback style, again with the exception of pin 13. This process was continued until the last chip had been soldered to the stack.

Be very careful not to allow one or more of the chips to be turned around during this part of the

By William B. Jones, N9AKT, 7224 Lakeshore Drive, Racine, Wisconsin 53402

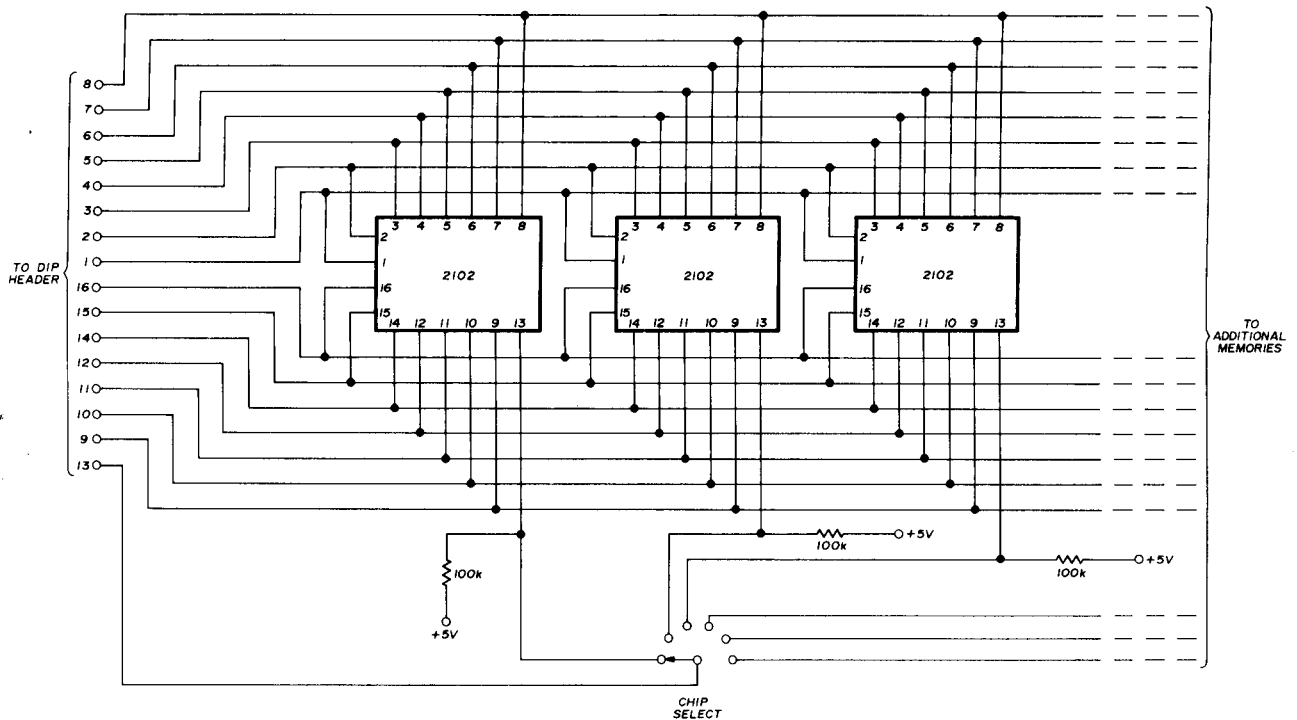


fig. 1. Expanded memory for the Auttek MK-1 programmable keyer.

assembly. Use a low-wattage soldering iron, and make every effort not to get the chips too hot. A piece of ribbon cable or individual wires are then soldered from pins 13 to the rotary switch (Radio Shack 275-1386) as shown in **fig. 1**. In addition, a 100k resistor is soldered from each pin 13 to +5 Vdc, which disables the chip when not being used. Finally, a single wire is soldered from the common terminal of the rotary switch to pin 13 of the DIP header. AG5G says that there's more than enough space on the keyer front panel to mount the rotary switch.

Although five of the six memory chips are always disabled, the information stored in them is not lost or altered in any way. Normal operation of the MK-1 is not changed by this modification. There are still four separate message areas per chip. Messages C and D may still be combined at will; it's just that now you can switch between any of the desired chips, each one operating independently of the others.

power considerations

Anyone contemplating this modification to the MK-1 keyer should be aware that the built-in power supply was designed to operate the keyer and *one* memory chip. The supply isn't capable of supplying the current that five more 2102s require. AG5G solved this problem by substituting a Radio Shack 2-amp transformer (part 273-1512) for the existing unit. He mounted the transformer on the inside of the cover

and used small in-line cable connectors as disconnects to facilitate separation of case and cover.

In addition, he replaced the 1N5231B 5.1-volt zener and its 100-ohm current-limiting resistor (D15 and R32 respectively) with a three-terminal, 5-volt regulator similar to the 7805 because he thought that the zener might not handle the additional current demands. The 7805 is also available at your local Radio Shack store and the cost is under two dollars. With minimal heat-sinking the regulator runs very cool, as it's required to supply less than 100 mA when using six low-power versions of the 2102 (2102-AL).

comments from AG5G

The cost of doubling the memory capacity of the unit by adding only one memory (2102-AL) chip and a mini SPDT toggle switch is less than \$4.00. My experiments indicate that the memory capacity can be doubled within the present transformer capability by adding only one 2102-AL piggyback, following the procedure covered in this article, and using a mini SPDT toggle switch in place of the 6-position rotary switch.

The cost of adding five 2102-AL chips, the 6-position switch, transformer, and voltage regulator (7805) with heatsink is less than \$15.00. I used six 2102-AL chips, replacing the higher-current 2102 chip that was in the unit.

ELECTRONIC ENGINEERS, AIDES and TECHNICIANS

COMMUNICATION ASSOCIATES, INC. (CAI) is a modest-sized, highly professional, soundly growing company on Long Island's North Shore, an easy 40 miles from New York. Expansion into new markets has meant increasing our development programs in:

**MICROPROCESSOR CONTROLLED SSB TRANSCEIVERS
SOLID STATE LINEAR POWER AMPLIFIERS
RADIO/TELETYPE SYSTEMS
HF SYNTHESIZERS**

We offer individuals with an interest and/or experience in design of RF radio equipment much visibility and exposure in a pleasant atmosphere, with ample room to contribute. Besides competitive salary and relocation expenses, enjoy liberal benefits. Please send resume, indicating salary progression, in confidence, or call for further information:

Virginia H. Rumpler, Personnel Administrator
(516) 271-0800

COMMUNICATION ASSOCIATES, INC.

200 McKay Road
Huntington Station, New York 11746

An Equal Opportunity Employer M/F/H/V



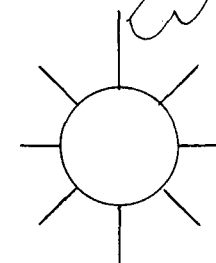
DADE RADIO CLUB presents

1980
Southeastern Division Convention
& 20th Annual
TROPICAL HAMBOREE



Flagler Dog Track
Miami, Florida

January 26-27, 1980



FREE PARKING
INCLUDING OVERNIGHT SPACE
FOR COMPLETELY SELF-CONTAINED RV'S
ADVANCE RV SPACE RESERVATION IS RECOMMENDED



REGISTRATION:
ADVANCE - \$3.00
DOOR - \$4.00

For Additional Information Write:
DADE RADIO CLUB, INC.
P.O. Box 350045 - Riverside Station
Miami, Florida 33135

The time required for doubling the memory is less than one hour. It takes less than three hours to install the transformer, voltage regulator (7805), six chips, and switch.

It's important to note, from my experiments and tests, that all memory functions and capabilities of the MK-1 are multiplied by the number of 2102-AL chips added without any impairment of the operations of the unit, provided *the voltage is regulated and current is amply supplied*.

In building my stack of six chips piggyback, I left about 1.5 mm (1/16 inch) between each chip as I added them vertically. (I don't think the space I left for cooling is necessary.) The transformer mounted easily, centered inside the top of the cabinet with ample space remaining to clear other parts when the top was replaced on the unit. With the unit's original transformer removed, there's some space available for mounting other items.

After installing the transformer to meet the increased requirements for current, to ensure better voltage regulation I removed the output of the two diodes (D12 and D13) from the board, joined their output together as input to a 7812 voltage regulator, and wired the output of the 7812 to where I had removed the output of D12 and D13. (The transformer that came in the unit could not handle the current requirements of the six 2102-AL chips but could meet the requirement for current for one additional 2102-AL.)

A 24-36 VCT transformer with 500-600 mA capacity will handle the requirements of the unit after adding six 2102-AL chips. The total (maximum) current requirements of the MK-1 as measured (after installing the transformer, 7812 and 7805 voltage regulators, and six 2102-AL chips) between the output of the 7812 and the load was 225 mA.

I believe that, thanks to N9AKT's creativity, this has been the easiest, lowest cost, most beneficial and rewarding project I've built in the past forty years. It substantially increases the capability and versatility of the MK-1 and makes this already excellent piece of Amateur Radio equipment even more useful.

closing notes

The simplicity of this project definitely puts it in the "weekend" category. Both the casual operator and the contester should benefit from the added memory capacity this modification affords. It's expandable one step at a time, as desired, and, best of all, it won't strain the family budget. Try it and see how much easier operating can be with an expanded memory for the Autek MK-1 programmable keyer.

ham radio

SELECTED SPECTRONICS VALUES!



SPECTRONICS, INC.

1009 Garfield St., Oak Park, Illinois • 60304

(312) 848-6777

OUR BEST-SELLING MULTI-BAND!



MDR GAIN

AS LOW AS

\$73⁷⁵

75/40 Meter

- One half the length of conventional half-wave dipoles
- Multi-band, Multi-frequency
- Maximum efficiency — no traps, loading coils, or stubs
- Fully assembled and pre-tuned — no measuring, no cutting
- All weather rated — 1 KW AM, 2.5 KW CW or PEP SSB
- Proven performance — more than 10,000 have been delivered
- Permit use of the full capabilities of today's 5-band xcvrs
- One feedline for operation on all bands

40-10HD/A 40/20/15/10 Mtrs (36)	\$73.75
80-40HD/A 80/40 Mtr bands (69)	77.25
75/40HD/A 75/40 Mtr bands (66)	73.75
75-10HD/A 75/40/20/15/10 Mtr (66)	89.95
80-10HD/A 80/40/20/15/10 Mtr (69)	94.95

2 METER ANTENNAS at BARGAIN PRICES!!

Magain

3 db GAIN
MAGNETIC MOUNT

NEW! ONLY

Model 287
Wt. 2.5 lbs.

\$19.⁹⁵



An economical alternative to drilling a hole. A magnetic antenna by a name you can trust at a low, low price.

Model 286 Same but trunk lid. \$15.95 b

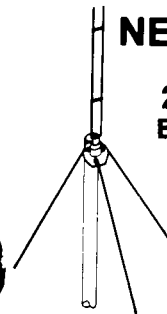
NEW from FINCO

2.8 dbd GAIN
BASE ANTENNA

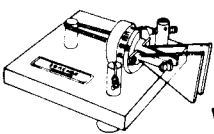
ONLY

\$9.⁹⁵

Model A2-GP
Wt. 2 lbs.



At last! An inexpensive, omni directional, 144-148 MHz, 1/2 wave antenna. Fits 1 1/4" mast, 50 ohm imp. A good antenna at a very affordable price.



BENCHER

If it's the ultimate in paddles your looking for may we recommend the Bencher. It's simply the nicest one we've seen yet.

BY1 paddle w/black base. \$39.95 c
BY1 Deluxe model w/chrome base. 49.95 c

PANASONIC "COMMAND" SERIES

RF-2200

RF-2200 8 BAND AM/FM SW freqs from 3.9 to 28 MHz Double super heterodyne Precise calibrated tuning to 10 kHz Double check xtal marker at 500 kHz and 125 kHz RF gain control for AM/SW BFO switch for SSB & SW Plus many more features such as ext jacks for AC ant. & spkr Big radio features at low price Plus \$2.50 Shipping



LIST ~~\$179⁰⁰~~ NOW ONLY **\$149⁹⁵**

RF 2900

RF 2900 DIGITAL AM/FM SW from 3.2 to 30 MHz 5 digit LED display reads all bands Double superheterodyne IFL circuitry FM AFC & wider narrow bandwidth control Fast/Slow tuning Built in AM ant Tele-scoping whip for AM/SW BFO pitch control for SSB/CW And much much more for the price Plus \$2.50 Shipping



LIST ~~\$279⁰⁰~~ NOW ONLY **\$249⁹⁵**

RF-4900

FULL SW COVERAGE FROM 1.6 to 31 MHz ALL DIGITAL Plus \$5.00 Shipping



LIST ~~\$489⁰⁰~~ NOW ONLY **\$439⁹⁵**

RF-4900 DIGITAL AM/FM SW coverage from 1.6 to 31 MHz • Full digital readout on all bands • 5 digit fluorescent readout • Premix double superheterodyne • Fast/slow tuning • AFC on FM Narrow wide selectivity switch for AM/SW • BFO Pitch control • Calibration control • ANL switch for AM • FET RF circuit • RF Gain control • Inc ants for FM & SW and more

IMPROVE YOUR RECEPTION WITH AN AMECO ALL BAND PREAMP!
• 6-160 Meters
• 20 + dB Gain
• Low Price



MODEL PLF-2 Improves weak signals as well as image and spurious rejection of most receivers Direct switching to rec or preamp Includes pwr supp 117 VAC wired & tested ppd \$49.95



FROM

avant! antennas

ON GLASS MOBILE ANTENNAS

Modern technology lets you mount a mobile antenna right on the window. Ideal for tough installations. 3 models available

AH151.3G 144-174 MHz, 3 db gn.	\$33.95 b
AH220.3G 220 MHz, 3 db gn.	33.95 b
AH450.5G 406-512 MHz, 5 db gn.	36.95 b



Write For
FREE
Equipment
Catalog

CRAMPED FOR SPACE?

MODEL HQ-1 \$139.50!

Mini-Products, Inc.

Then you want the antenna that's known around the world for its small size and superior performance. The Multi-band HYBRID QUAD for 6, 10, 15 & 20 meters

- WING SPAN: 11 FT
- HOOM: 54 INCHES LONG
- WIND AREA: 1.5 SQ. FT.
- 1200 WATTS PEP INPUT TO FINAL
- FEED LINE: 50 OHMS

Trade-ins are always welcome at Spectronics. You'll be surprised how easy it is to move up to that new rig.

Cash paid for clean used gear. That's right...if you no longer need it we can convert that extra rig into cash.

ESTIMATED WEIGHT CODING
After the price of each item you will find a letter, i.e., 19.95 a. To make it easier to figure shipping costs, these letters indicate the approximate weight of the item as follows:

a. Less than 1 lb.	f. 20-30 lbs
b. 1-3 lbs.	g. 30-40 lbs.
c. 4-6 lbs.	h. 40-50 lbs
d. 7-10 lbs.	
e. 10-20 lbs.	

★ will be sent truck collect.

observations on the speed of light through the metric system

A look at the phase velocity
of EM waves in
nonionized atmosphere
and space

Upsetting apple carts is not the way to treat the fruits of one's labor, and I'm becoming very disturbed with people who are trying to destroy my faith in the metric system of units. After all, why should I use an EM wave phase velocity of 186,363.6 miles per second when I can use a nice even 3.0×10^8 meters per second?

background

Some inconsiderate person came along and concluded that this phase velocity should be 186,300 miles per second, which is about 2.998766×10^8 meters per second. Upon further examination it was discovered that this wasn't right either. It was concluded that the phase velocity should be 186,287 miles per second, which is about 2.998756×10^8 meters per second.

In 1953, Kraus got us back into the right (?) units.¹ But he concluded that this phase velocity is 2.998×10^8 meters per second, which is about 186,239.39 miles per second. (Rounded off, it's 186,240 mps. Take your choice.)

Then in 1962 Corson and Lorraine concluded that this phase velocity should be 2.9979×10^8 meters per second,² which is about 186,233.18 miles per second. It appears that they were either lazy or sloppy in their work, or else they were victims of round-off errors.

In 1970, the ITT staff concluded that this phase velocity should be 2.99793×10^8 meters per second,³ which is about 186,235.05 miles per second, give or take a few mm. Then, less than a year ago, I saw somewhere that this phase velocity should be 2.997925×10^8 meters per second, which is about 186,234.73 miles per second.

Now, authorities agree that this velocity should be 2.99792456×10^8 meters per second,⁴ which is about 186,234.71 miles per second.

In analyzing these data, I could conclude that the last twenty years of observations have shown that the EM wave phase velocity decreases at rate of about

$$V_d \approx \frac{1}{3.0(1.284)^{\text{yr}}} \text{ miles/second/year}$$

On this basis we would eventually arrive at an EM wave phase velocity of about 186,234.40 miles per second, or about 2.99791961×10^8 meters per second. Since neither of these figures are neat round numbers, I now wonder if those in EM-wave work should develop a new set of units, which are not related to a British King or the size of the earth. Meanwhile, if I want to stay with the MKS system of units on a *current* basis, the above observations suggest that I should reconcile my wishes and reality and round off the EM wave phase velocity to 2.99792×10^8 meters per second.

At the same time, I question the phase velocity of 299,792,456 meters per second given by the "authorities" cited in reference 4. First, what decimal fractional part was rounded off to the whole number of 6? Second, is the EM wave velocity in space or is it near a mass — the same as that in an atmosphere? I doubt it, and we'll have to be patient until better answers are forthcoming.

Since these observations were noted, I've read somewhere that this phase velocity is now 186,000 miles per second, or about 2.99338×10^8 meters per second. This is very disturbing because it suggests that we'll not be able to propagate EM waves at all by the 21,000th century, and everything propagated beforehand will be returning to us thereafter.

references

1. J. Kraus, *Electromagnetics*, McGraw-Hill Book Co., Inc., 1953, page 353.
2. D. Corson and P. Lorrain, *Introduction to Electromagnetic Fields and Waves*, W.H. Freeman and Company, 1962, page 317.
3. ITT Staff, *Reference Data for Radio Engineers*, Howard W. Sams & Co., Inc., fifth edition, March, 1970, pages 3-11.
4. J. Reiser, "Matching Techniques for VHF/UHF Antennas" *ham radio*, July, 1976, page 55.

ham radio

By Harold F. Tolles, W7ITB, P.O. Box 232,
Sonoita, Arizona 85637

New, Improved Wilson Towers



Hinged Base Plate - Concrete Pad, Heavy Duty Winch



Mounting the House Bracket



The Hinged Base Plate allows tower to be tilted over for access to antenna and rotor from the ground.

FACTORY DIRECT
\$249⁹⁵

TT-45A

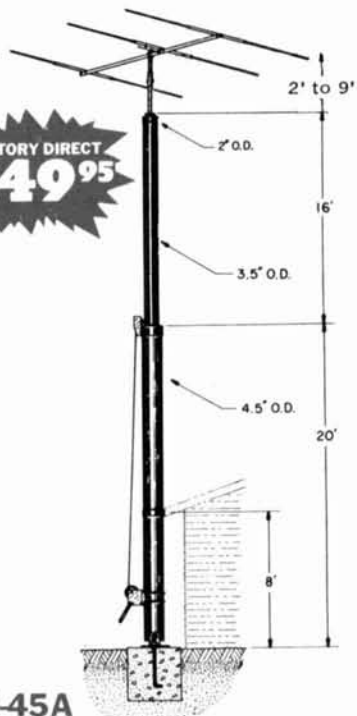
FEATURES:

- Maximum Height 45' (will handle 12 sq. ft. at 38') @ 50 mph
- 1200 lb. winch
- Totally freestanding with proper base
- Total Weight, 243 lbs.

The TT-45A is a freestanding tower, ideal for installations where guys cannot be used. If the tower is not being supported against the house, the proper base fixture accessory must be selected. (Requires 12"x12"x36" of concrete.)

GENERAL FEATURES

All towers use high strength heavy galvanized steel tubing that conforms to ASTM specifications for years of maintenance-free service. The large diameters provide unexcelled strength. All welding is performed with state-of-the-art equipment. Top sections are 2" O.D. for proper antenna/rotor mounting. A 10' push-up mast is included in the top section of each tower. Hinge-over base plates are standard with each tower. The high loads of today's antennas make Wilson crank-ups a logical choice. Prices and specifications subject to change without notice.



FACTORY DIRECT
\$449⁹⁵

NEW IMPROVED FEATURE

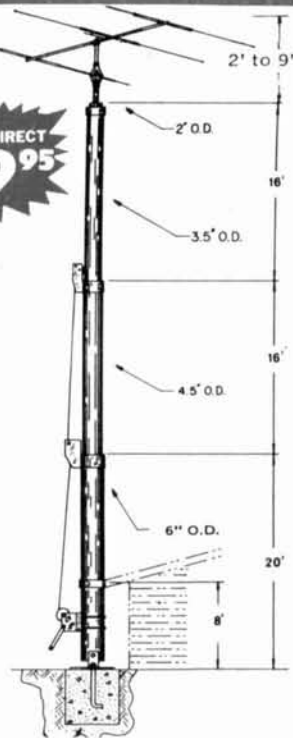
Heavier wall tubing greatly increases the stress capabilities over the older TT-45 and MT-61.

MT-61A

FEATURES:

- Is freestanding with use of proper base
 - Maximum Height is 61' (will handle 12 sq. ft. at 53') @ 50 mph
 - 1200 lb. brake winch
 - 4200 lb. raising cable
 - Total Weight, 400 lbs.
- Recommended base accessory: RB-61A, FB-61A.

The MT-61A is our largest and tallest freestanding tower. By using the RB-61A rotating base fixture the MT-61A is ideally suited for the SY33 or SY-36. If you plan to mount the tower to your house, caution should be taken to make certain the eave is properly reinforced to handle the tower. If not, one of the base accessory fixtures should be used. (Requires 18"x18"x48" concrete.)



TILT-OVER BASES FOR TOWERS

FIXED BASE

The FB Series was designed to provide an economical method of moving the tower away from the house. It will support the tower in a completely free-standing vertical position, while also having the capabilities of tilting the tower over to provide an easy access to the antenna. The rotor mounts at the top of the tower in the conventional manner, and will not rotate the complete tower. (Requires 3'x3'x5½" of concrete.)

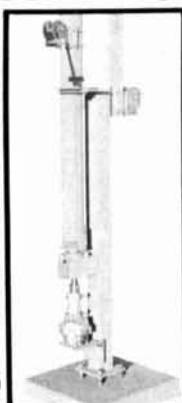
FB-45A ... \$109.95
FB-61A ... 149.95



ROTATING BASE

The RB Series was designed for the Amateur who wants the added convenience of being able to work on the rotor from the ground position. This series of bases will give that ease plus rotate the complete tower and antenna system by the use of a heavy duty thrust bearing at the base of the tower mounting position, while still being able to tilt the tower over when desiring to make changes on the antenna system. (Requires 3'x3'x6" of concrete.)

RB-45A ... \$159.95
RB-61A ... 219.95



Tilting the tower over is a one-man task with the Wilson bases. (Shown above is the RB-61A. Rotor is not included.)

ORDER
FACTORY DIRECT
1-800-634-6898

WSI WILSON
SYSTEMS, INC.

4286 S. Polarix Ave., Las Vegas, Nevada 89103

***** WILSON SPECIAL *****
TRISTAO TWS 771 TOWER
Sold in 1978 at \$7,500. Have one only.
All new cables.
only \$4,000.

Giving Ideas

FROM **h
r
b**

**SAVE TIME
ELIMINATE
HASSLE
SHOP BY
MAIL**

**ORDER TODAY
Ham Radio's
Bookstore**
Greenville, NH 03048

Please allow 2-3 weeks for delivery.

SIMPLE LOW-COST WIRE ANTENNAS

Learn how to build simple, economical wire antennas. Even if you don't know a feedline from a feed-through. W6SAI will get you on the air with an effective low-cost wire antenna. And, apartment dwellers take note! Fool your landlord and your neighbors with some of the "invisible" antennas found here. For the old-timer as well as the beginner, it's a clearly written, well diagrammed, and even humorous antenna book. 192 pages. ©1972.

RP-WA **Softbound \$5.95**

BEAM ANTENNA HANDBOOK

by William J. Orr, W6SAI

Here's recommended reading for anyone thinking about putting up a yagi beam this year. It answers a lot of commonly asked questions like: What is the best element spacing? Can different yagi antennas be stacked without losing performance? Do monoband beams outperform tri-banders? Lots of construction projects, diagrams, and photos make reading a pleasurable and informative experience. 198 pages. ©1977.

RP-BA **Softbound \$4.95**

THE RADIO AMATEUR ANTENNA HANDBOOK

by William J. Orr, W6SAI and Stuart Cowan, W2LX

If you're pondering what new antennas to put up, we recommend you read this very popular book. It contains lots of well illustrated construction projects for vertical, long wire, and HF/VHF beam antennas. But, you'll also get information not usually found in antenna books. There is an honest judgment of antenna gain figures, information on the best and worst antenna locations and heights, a long look at the quad vs. the yagi antenna, information on baluns and how to use them, and some new information on the increasingly popular Sloper and Delta Loop antennas. The text is based on proven data plus practical, on-the-air experience. We don't expect you'll agree with everything Orr and Cowan have to say, but we are convinced that **The Radio Amateur Antenna Handbook** will make a valuable and often consulted addition to any Ham's library. 190 pages. ©1978.

RP-AH **Softbound \$6.95**

LATEST RELEASES!

PLEASE INCLUDE \$1.75 for CALLBOOK SHIPPING

1980 RADIO AMATEUR CALLBOOK

Don't be one of those who waits until the year is half over to buy a new callbook. Invest in a callbook today and get a full year's use out of your purchase. Cramped full of the latest addresses and QSL information. You'll find • Bold-face calls, names and addresses for every licensed Amateur in the U.S. — It's a list that's more accurate than the FCC's • Slow Scan TV directory • The latest ARRL countries list • International Postal info • QSL Managers from around the world • Standard time charts • A complete census of international Amateur population • PLUS MUCH, MUCH MORE! A super value at an amazingly low price. The 1980 callbook is a perfect Christmas gift for friends or for yourself. Order today to make sure you have the new callbook before the holiday season.

CB-US **Softbound \$16.95**

1980 ARRL HANDBOOK

Full of exciting new features for the 80's, now is the time to order your copy of the **1980 ARRL "RADIO AMATEUR'S HANDBOOK."** Internationally recognized and universally consulted, every amateur should have the latest edition. The new HANDBOOK covers virtually all of the state-of-the-art developments in electronics theory and design. Novices will find it to be an indispensable study guide, while the more advanced Amateur will enjoy building the many new projects.

Order AR-H880 **Softbound \$10.00**
 Order AR-B880 **Hardbound \$15.75**

THE 1980 FOREIGN CALLBOOK

DXing is a real joy, but it's even better when you get back QSL cards from the countries you've worked. The most important tool in getting those cards is to have a copy of the 1980 Foreign Callbook on your operating table. Stations are listed by country, call, name and address in bold, easy-to-read type. You also get: Great Circle Beam headings from major U.S. cities, International Postal information, DXCC Countries List, Worldwide QSL Bureaus, Standard time charts and more. Get the DX information you want, when you want it. Order today so you have a copy on hand for the winter DX season.

CB-F **Softbound \$15.95**

SHORTWAVE PROPAGATION HANDBOOK

Edited by George Jacobs, W3ASK, and Theodore J. Cohen, N4XX

For many hams, both new and old, radio wave propagation is still a mystery. Realizing this, the authors went about the task of preparing a simplified text that could be understood by hams, swl's and engineers alike. Stress has been given to simplified explanations and charts. The authors also detail a simplified method of do-it-yourself propagation forecasting. To assist your forecasting efforts, the book contains a complete listing of the 12 month smoothed sunspot numbers since 1749. Join those who know how to predict when the bands will open to specific areas of the world. ©1979.

CQ-PH **\$7.50**

ANTENNA BOOKS

73 VERTICAL, BEAM, AND TRIANGLE ANTENNAS

A collection of 73 different vertical, beam, and triangle antenna designs. It contains construction details for single and multi-element verticals, multi-element horizontal arrays, yagis, quads, and triangles. Here's an antenna cookbook sure to spark your imagination. 160 pages. ©1977.

24021 **Softbound \$5.50**

BEVERAGE ANTENNA HANDBOOK

by Victor Misek, W1WCR

The Beverage or Travelling Wave antenna is becoming popular as a separate receiving antenna which greatly reduces interference from foreign broadcast and other stations on the lower Amateur bands. Because it consists of a single longwire and a terminating unit, the Beverage is easy and economical to construct. The author gives you theory and describes a number of different Travelling Wave and Steerable Wave antennas, all designed to greatly reduce QRM on the 40, 80, and 160 meter bands. 39 pages. ©1977.

VM-BAH **Softbound \$5.00**

THE ARRL ANTENNA BOOK

For years this has been the standard manual on Amateur antennas. The popular vertical, wire, beam, VHF/UHF, and Oscar antennas are given full theoretical and practical treatment as well as mobile and restricted space antennas. Wave propagation and antenna measurement are also discussed. Makes a great companion to the ARRL's new "Antenna Anthology." 336 pages. ©1974.

AR-AM **Softbound \$5.00**

THE ARRL ANTENNA ANTHOLOGY

by the ARRL staff

This brand new book pulls together a wide selection of antenna articles from QST. Written for Amateurs of all levels and interests. Included are phased arrays, verticals, Yagi's... even the VHF Quagi! Detailed instructions and full illustrations make this a really useful book for any Amateur. 152 pages. ©1979.

AR-AA **Softbound \$4.00**

PRACTICAL ANTENNAS

PRACTICAL ANTENNAS is not quite like any of the other ham antenna books. Written by a knowledgeable DX'er, this new book is chock-full of helpful hints and suggestions on the how-to's of putting up a super antenna system. Chapters include information on design and construction of practical Yagis, quads and wire type antennas. Inside you'll also find a complete bibliography of antenna articles from the popular amateur publications. Charts and tables are designed to eliminate all those tricky calculations. And, SCLEBI has included a list of computer generated beam headings from major population centers to all the countries of the world. A new format, large easy-to-read text and durable vinyl cover make **PRACTICAL ANTENNAS** a "must" for every amateur library. ©1979.

SC-PA **\$9.95**

ALL ABOUT CUBICAL QUAD ANTENNAS

The cubical quad antenna is considered by many to be the best DX antenna because of its simple, lightweight design and high performance. In Bill Orr's latest edition of this well known book, you'll find quad designs for everything from the single element to the multi-element monster quad, plus a new, higher gain expanded quad (X-Q) design. There's a wealth of supplementary data on construction, feeding, tuning, and mounting quad antennas. It's the most comprehensive single edition on the cubical quad available. 112 pages. ©1977.

RP-CQ **Softbound \$4.75**

Prices subject to change without notice.

Please add \$1 for shipping

**CAN'T WAIT?
CALL TOLL FREE**

1-800-258-5353



UNADILLA

(One River)

FULL-POWER QUALITY HAM ANTENNA ACCESSORIES AT YOUR DEALER

the BIG signal
BALUN
W2AU



For over 20 years, the preferred balun of Hams, Armed Forces and commercial communicators around the world.

HAMS-

See your local HAM dealer - Or write for Catalog PC-80 - Or call us TOLL-FREE:

US: 1-800-448-1666
NYS/Canada COLLECT:
1-315-437-3953



the OLD reliable
W2VS REYCO
ANTENNA TRAPS

Professionals demand REYCO

W2AU/W2VS
5-BAND
ANTENNA KIT



2000 WATT
LO-PASS FILTER



UNBREAKABLE
QUAD SPIDERS

CABLE
WIRE
CONNECTIONS
HARDWARE
INSULATORS

HAMFEST MANAGERS-

UNADILLA/REYCO Cooperates! Call or send HAMFEST Flyer

DEALERS-

Join our 400 dealers around the WORLD, selling the famous W2AU "BIG SIGNAL" Balun & other fine HAM products:

- TOLL-FREE ORDERING
- 48 HOUR SHIPPING
- INVENTORY SWAP POLICY
- SMALL DEALER PRICE BREAKS
- MIX-MATCH PRICING
- IMPORT DUTY ALLOWANCE
- NATIONAL ADVERTIZING
- CUSTOMIZING FOR YOUR HAMS
- QUALITY, WELL-KNOWN PRODUCTS

Increase sales NOW. Call us before you forget. What can you lose? Ask For:

Hugh GUNNISON, WA2ZOT
or Emily, or Bonnie

Unadilla / Reyco

a Division of Microwave Filter Company, Inc.
6743 Kinne Street / East Syracuse / New York 13057

log-periodic antennas for the high-frequency Amateur bands

Design data for
two LP wire beams:
one for 10, 15, and 20 meters,
and one for
future ham bands
in the 10-30 MHz region

In a recent article¹ W6PYK illustrated the design of a log periodic (LP) antenna covering the 10-, 15-, and 20-meter Amateur bands using a simplified approach. The antenna design parameters were $\tau = 0.875$ (the taper factor) and $\sigma = 0.13$ (the spacing factor). This design provides a ten-element LP with a boom length of 15.6 meters (51 feet) and a gain of 6.7 dB over a dipole. All element lengths and element spacing dimensions were provided for those wishing to build a good three-band fixed-wire beam with a fair amount of gain.

measurement accuracy

You'll note that W6PYK¹ rounds off the values for element lengths and spacing distances. Some authors describing LP-antenna designs for Amateurs often show these measurements with decimals to the fourth, fifth, or even sixth place! Probably many Amateurs have been discouraged after seeing this amount of measurement precision. No doubt some of this showmanship is to impress the reader that the author has access to a computer. But as Paul, W6PYK, says, "The LP is very forgiving of construction and design tolerances." I've found this to be true in my LP antenna designs.

Over the past eight years I've assembled and tested more than thirty high-frequency LP antennas for various frequency ranges and gains including mono-banders and two- and three-banders. Using a four-function calculator, lengths and spacings can be shown to four or five decimal places, but I always round off to no more than *two* places for ease in measuring, usually converting the measurements to feet and inches (meters and centimeters) for the lower-frequency bands and certainly no closer than 6 mm (0.25 inch) for the higher-frequency bands, which is plenty close.

By **George E. Smith, W4AEO**, in collaboration with **Paul A. Scholz, W6PYK**. Mr. Smith's address is 1816 Brevard Place, Camden, South Carolina 29020. Mr. Scholz's address is 12731 Jimeno Avenue, Granada Hills, California 91344

calculation example

Let's run through some LP design calculations using W6PYK's data (reference 1). We'll use his **table 1** and antenna 3 ($B = 2$), with fourteen elements and $\ell/\lambda = 1.37$.

table 1. 14-element LP designed to $\tau = 0.917$ and $\sigma = 0.17$. $\ell/\lambda = 1.37$; gain = 8 dBd.

element	length		spacing distance		
	meters	(feet)	meters	(feet)	(feet)
1	10.0	(33.4)	S1	3.7	(12.0)
2	9.4	(30.7)	S2	3.4	(11.0)
3	8.5	(28.0)	S3	3.0	(10.0)
4	7.9	(25.8)	S4	2.8	(9.2)
5	7.2	(23.6)	S5	2.6	(8.5)
6	6.6	(21.7)	S6	2.4	(7.8)
7	6.0	(19.9)	S7	2.2	(7.1)
8	5.6	(18.2)	S8	2.0	(6.5)
9	5.1	(16.7)	S9	1.8	(6.0)
10	4.7	(15.3)	S10	1.6	(5.4)
11	4.3	(14.0)	S11	1.5	(5.0)
12	3.9	(12.9)	S12	1.4	(4.6)
13	3.6	(11.8)	S13	1.3	(4.2)
14	3.3	(10.8)	total:	29.7	(97.3)

Since we start with 14 MHz as our low-end cutoff frequency, f_L , the free-space wavelength, λ_0 , will equal $984/14$ or 21.4 meters (70.3 feet). The boom length will be 29 meters (94.9 feet). If these dimensions aren't too large for the available space, we proceed as follows:

1. As our $f_L = 14$ MHz, the length of the E1 rear element will be $468/14 = 10$ meters (33.4 feet). Under the τ column of the table note that $\tau = 0.917$ and $\sigma = 0.17$. These parameters determine the taper factor, τ , and spacing factor, σ , for the remaining calculations.

2. Next we calculate the spacing distance between E1 and E2. $S1 = \sigma \times \lambda_0 = 0.17 \times 70.3 = 11.96$ feet. Make it 3.7 meters (12 feet).

3. Next we calculate the other element lengths, E2, E3 . . . En, where En is the n th element. From **step 1** $E1 = 10$ meters (33.4 feet). $E2 = E1 \times \tau = 9.4$ meters (30.7 feet). The remaining element lengths are calculated similarly.

4. The remaining spacing distance, S2, S3 . . . Sn are calculated thus: $S2 = S1 \times \tau = 3.3$ meters (11 feet). $S3 = S2 \times \tau = 3$ meters (10 feet) and so on for S4 . . . Sn.

design aid

For those who don't wish to compute an LP using W6PYK's easy design method, complete dimensions are given in **tables 1** and **2** for two 14-29-MHz LPs for 20, 15, and 10 meters.

about cost

Some hams with whom I've discussed LPs feel that the LP requires quite a bit of wire for the number of bands covered, especially one covering a 2:1 ($B = 2$) frequency range (one octave). This is true for a large LP covering 80 and 40 or even 40 and 20 meters; however, since an LP covering 14-29 MHz includes three bands (20, 15, and 10) you get more for the money. My antenna for these bands cost about \$35.00 to \$50.00 for wire, nylon line, and lucite insulators (coax, baluns, and towers not included). For these reasons I feel that LPs for 80 or 40 meters should be limited to a monoband LP ($B = 1$) since the range between 4.0 and 7.0 MHz or 7.3 and 14 MHz isn't needed.

The least expensive, or rather the most "cost effective," LPs built here have been those designed for 14-21.5 MHz ($B = 1.5$) for 20 and 15 meters only. The first LP put up here was a seven-element array with a boom length of 11 meters (37.5 feet). It was described in reference 2.

table 2. 19-element LP designed to $\tau = 0.943$ and $\sigma = 0.175$. $\ell/\lambda = 1.97$; gain = 8.9 dBd.

element	length		spacing distance		
	meters	(feet)	meters	(feet)	(feet)
1	10.0	(33.4)	S1	3.7	(12.3)
2	9.6	(31.5)	S2	3.5	(11.6)
3	9.1	(29.7)	S3	3.3	(10.9)
4	8.5	(28.0)	S4	3.1	(10.3)
5	8.1	(26.4)	S5	3.0	(9.7)
6	7.6	(24.9)	S6	2.8	(9.2)
7	7.2	(23.5)	S7	2.7	(8.7)
8	6.8	(22.2)	S8	2.5	(8.2)
9	6.4	(20.9)	S9	2.3	(7.7)
10	6.0	(19.7)	S10	2.2	(7.3)
11	5.7	(18.6)	S11	2.1	(6.8)
12	5.3	(17.5)	S12	2.0	(6.5)
13	5.0	(16.5)	S13	1.9	(6.1)
14	4.8	(15.6)	S14	1.7	(5.7)
15	4.5	(14.7)	S15	1.6	(5.4)
16	4.2	(13.9)	S16	1.5	(5.1)
17	4.0	(13.1)	S17	1.4	(4.8)
18	3.7	(12.2)	S18	1.3	(4.5)
19	3.5	(11.6)	total:	43.0	(140.8)

Fig. 1 is a drawing of the 14-29-MHz LP suggested by W6PYK for 20, 15, and 10 meters with an array length of 15.6 meters (51 feet). Note how the three cells for 20, 15, and 10 meters overlap in a fairly short (array length) LP. All elements are used (no waste of wire), as compared with an LP for 80 and 40 or 40 and 20 meters.

a 10-30 MHz-LP for future Amateur bands

An LP designed to cover 10-30 MHz may be of future interest, as W6PYK mentioned in his article.¹ Hopefully, we'll be awarded the proposed ham

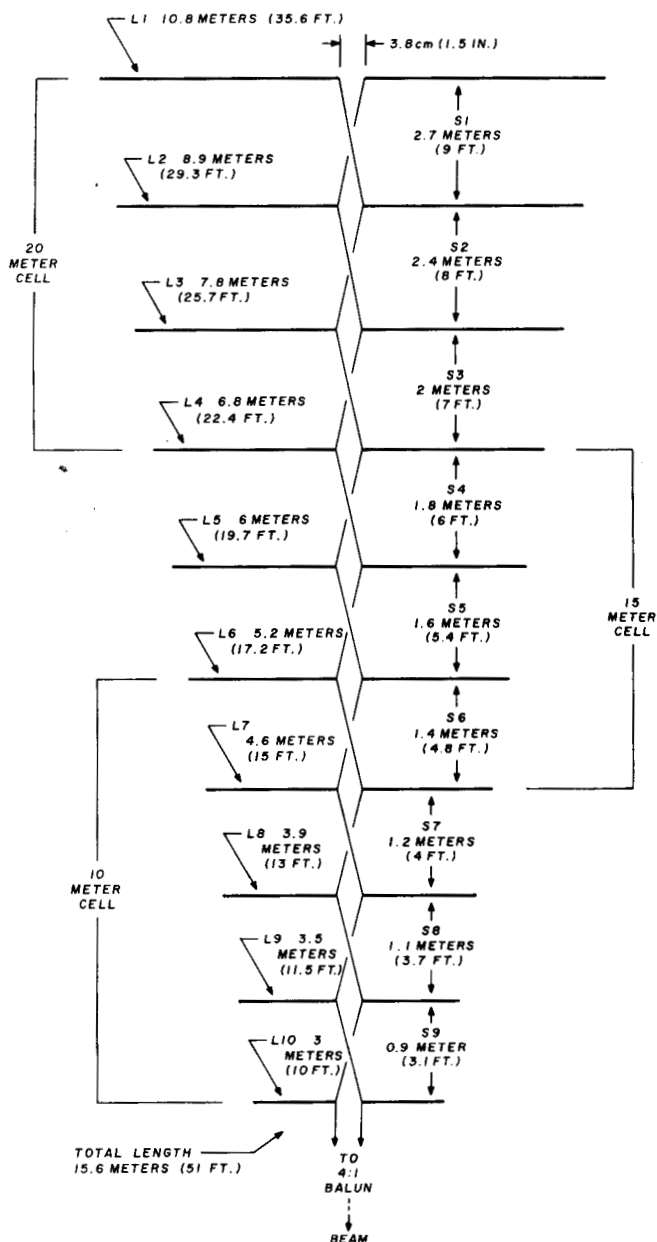


fig. 1. Ten-element 14-29-MHz log periodic antenna for 10, 15, and 20 meters. Designed to $\tau = 0.875$ and $\delta = 0.13$. Gain = 6.7 dBd. Note how the three "cells" for 10, 15, and 20 meters overlap — no waste of wire.

bands: 10.1, 18.1, and 25.25 MHz at the forthcoming WARC Geneva conference. An LP designed to cover the entire 10-30-MHz spectrum will then be usable on six bands: 10.1, 14, 18.1, 21, 25.25 and 28 MHz.

As Paul states it would be difficult, and quite a mechanical challenge, to design a practical six-band rotatable Yagi similar to the present triband Yagis.

Fig. 2 shows dimensions for a nine-element ($B = 3$) 10-30 MHz LP designed to $\tau = 0.8$ and $\sigma = 0.142$, which gives an array length of 17.7 meters (58 feet) and a 5.9-dBd gain. Although this is a moderate gain, it's probably about as good as some of the present tribanders and about as good as can

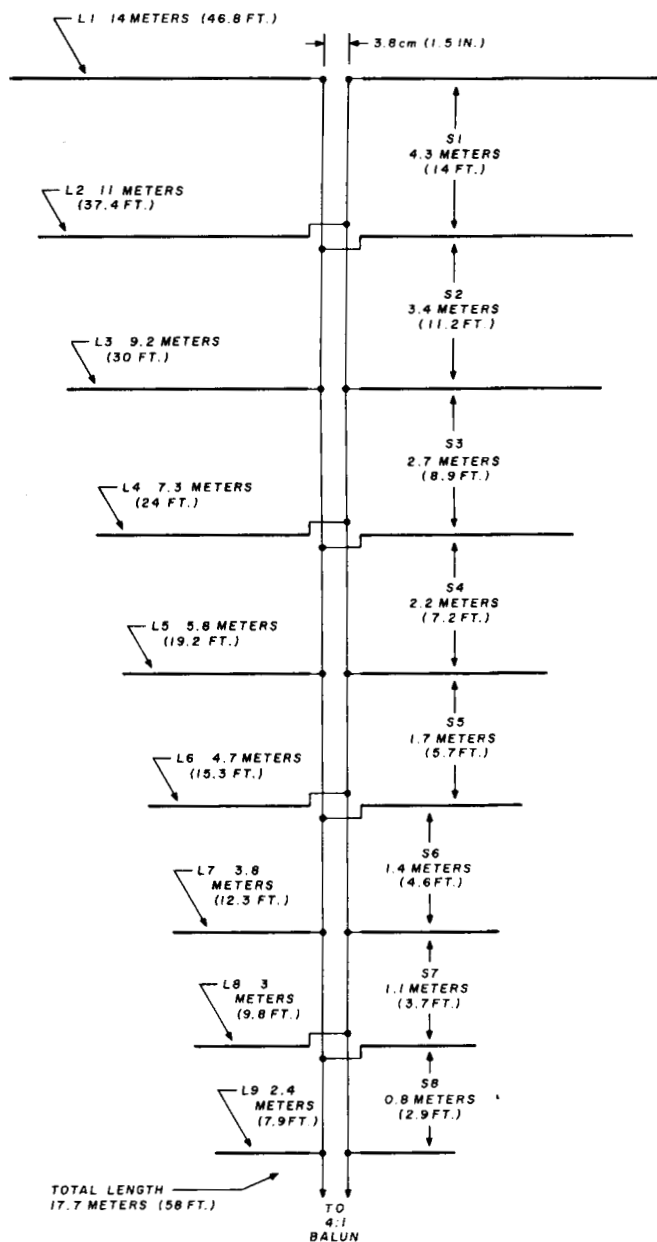


fig. 2. Nine-element LP designed for 10-30 MHz, using $\tau = 0.80$ and $\delta = 0.142$. Gain = 5.9 dBd. This will cover future Amateur bands as proposed in the WARC conference in Geneva.

be expected from an LP with such a short boom length. A big advantage is that gain and SWR are relatively constant over the entire range of 10-30 MHz. A further advantage is that it covers our present 14-, 21-, and 28-MHz bands plus the proposed 10.1-, 18.1-, and 25.5-MHz bands.

references

1. Paul A. Scholz, W6PYK, "Another Approach to Log-Periodic Antenna Design," *ham radio*, December, 1979, page 34.
2. George E. Smith, W4AEO, "Log Periodic Beam for 15 and 20 Meters," *ham radio*, May, 1974, page 6.

ham radio

7400 TTL

SN7400N	16	SN7400N	29	SN74160N	89
SN7401N	18	SN7473N	35	SN74161N	89
SN7402N	18	SN7474N	35	SN74162N	89
SN7403N	18	SN7475N	35	SN74163N	1.95
SN7404N	18	SN7476N	35	SN74164N	89
SN7405N	20	SN7477N	5.00	SN74165N	89
SN7406N	29	SN7478N	5.00	SN74166N	1.25
SN7407N	29	SN7479N	5.00	SN74167N	1.25
SN7408N	20	SN7480N	7.99	SN74168N	1.95
SN7409N	20	SN7481N	7.99	SN74169N	1.25
SN7410N	18	SN7482N	7.99	SN74170N	6.00
SN7411N	25	SN7483N	7.99	SN74171N	1.25
SN7412N	25	SN7484N	7.99	SN74172N	1.25
SN7413N	40	SN7485N	5.00	SN74173N	1.25
SN7414N	20	SN7486N	3.75	SN74174N	89
SN7415N	25	SN7487N	5.00	SN74175N	89
SN7416N	40	SN7488N	4.33	SN74176N	7.99
SN7417N	25	SN7489N	4.33	SN74177N	7.99
SN7418N	25	SN7490N	4.33	SN74178N	1.95
SN7419N	25	SN7491N	4.33	SN74179N	1.95
SN7420N	20	SN7492N	3.00	SN74180N	1.95
SN7421N	29	SN7493N	3.00	SN74181N	1.95
SN7422N	29	SN7494N	3.00	SN74182N	1.95
SN7423N	25	SN7495N	3.00	SN74183N	1.95
SN7424N	29	SN7496N	3.00	SN74184N	1.95
SN7425N	25	SN7497N	3.00	SN74185N	1.95
SN7426N	29	SN7498N	3.00	SN74186N	1.95
SN7427N	25	SN7499N	3.00	SN74187N	1.95
SN7428N	25	SN7500N	3.00	SN74188N	1.95
SN7429N	29	SN7501N	3.00	SN74189N	1.95
SN7430N	25	SN7502N	3.00	SN74190N	1.25
SN7431N	25	SN7503N	3.00	SN74191N	1.25
SN7432N	25	SN7504N	3.00	SN74192N	1.25
SN7433N	25	SN7505N	3.00	SN74193N	1.25
SN7434N	25	SN7506N	3.00	SN74194N	89
SN7435N	25	SN7507N	3.00	SN74195N	69
SN7436N	25	SN7508N	3.00	SN74196N	89
SN7437N	25	SN7509N	3.00	SN74197N	89
SN7438N	25	SN7510N	3.00	SN74198N	1.49
SN7439N	25	SN7511N	3.00	SN74199N	1.49
SN7440N	25	SN7512N	3.00	SN74200N	4.95
SN7441N	25	SN7513N	3.00	SN74201N	4.95
SN7442N	25	SN7514N	3.00	SN74202N	4.95
SN7443N	25	SN7515N	3.00	SN74203N	4.95
SN7444N	25	SN7516N	3.00	SN74204N	4.95
SN7445N	25	SN7517N	3.00	SN74205N	4.95
SN7446N	25	SN7518N	3.00	SN74206N	4.95
SN7447N	25	SN7519N	3.00	SN74207N	4.95
SN7448N	25	SN7520N	3.00	SN74208N	4.95
SN7449N	25	SN7521N	3.00	SN74209N	4.95
SN7450N	25	SN7522N	3.00	SN74210N	4.95
SN7451N	25	SN7523N	3.00	SN74211N	4.95
SN7452N	25	SN7524N	3.00	SN74212N	4.95
SN7453N	25	SN7525N	3.00	SN74213N	4.95
SN7454N	25	SN7526N	3.00	SN74214N	4.95
SN7455N	25	SN7527N	3.00	SN74215N	4.95
SN7456N	25	SN7528N	3.00	SN74216N	4.95
SN7457N	25	SN7529N	3.00	SN74217N	4.95
SN7458N	25	SN7530N	3.00	SN74218N	4.95
SN7459N	25	SN7531N	3.00	SN74219N	4.95
SN7460N	25	SN7532N	3.00	SN74220N	4.95

Cromemco Incorporated

TU-ART Digital Interface

Cromemco's TU-ART digital interface is a convenient interface for CRT terminals, line printers, modems, and other devices. Has 2 parallel I/O ports, a serial I/O port, 7 8-bit programmable intervals. Baud rates are software-selectable from 130-76,800 baud. Has vectored prioritized interrupts so it is able to support the powerful vectored interrupt structure of a 2-80 microprocessor. 10 interval timers w/realt-time capability.



Serial I/O Ports:
1 I/O device, RS 232 or 20mA/ct. line
High baud rate, 130-76,800 baud
Low baud rate, 130-76,800 baud
Buffer/parity selectable

Interval Timers:
No. of timers: 10
Timer range: 0.1 to 9.99 msec
Tolerance: 1%
Input/Output: 64 programmable
Features: 10
No. restart logic (8080 model) #
No. restart logic (8085 model) #
Programmable of TU-ART ports
Optional printer
Optional printer
Output: 20 TTL lines

General Information:
UART Type 5501 Bus 5.100
Power requirements: +5V ± 1.0A
+18V ± 80mA +18V ± 40mA
Operating environment: 0-55°C

TRT-W

(Assembled) \$295.00

General Information:
UART Type 5501 Bus 5.100
Power requirements: +5V ± 1.0A
+18V ± 80mA +18V ± 40mA
Operating environment: 0-55°C

DISCRETE LEDS

20φ dia.			12.5φ dia.		
KC556R	red	5/S1	KC209G	red	5/S1
KC556G	green	4/S1	KC209G	green	4/S1
KC556B	blue	4/S1	KC209Y	yellow	4/S1
KC556C	clear	4/S1			
20φ dia.			18.5φ dia.		
KC22R	red	5/S1	KC256R	red	5/S1
KC22G	green	4/S1	KC256G	green	4/S1
KC22Y	yellow	4/S1	KC256Y	yellow	4/S1
			KC256C	clear	4/S1
17φ dia.			19φ dia.		
MV10B	red	4/S1	KC111R	red	5/S1
			KC111G	green	4/S1
			KC111Y	yellow	4/S1
			KC111C	clear	4/S1
08.5φ dia.					
INFRA-RED LED	6/S1				
1/4"x1/4"x1/16" flat					
5/S1					

DISPLAY LEDS

TYPE	POLARITY	HT	PRICE	TYPE	POLARITY	HT	PRICE
MAN 1	Common Anode-red	270	2.95	MAN 6720	Common Cathode-red ± 1	560	99
MAN 2	5 x 7 Dot Matrix-red	300	4.95	MAN 6730	Common Cathode-red-D	560	99
MAN 3	Common Cathode-red	125	2.5	MAN 6750	Common Cathode-red ± 1	560	99
MAN 4	Common Cathode-red	187	1.95	MAN 6760	Common Cathode-red	560	99
MAN 7G	Common Anode-green	300	1.25	MAN 6780	Common Cathode-red	560	99
MAN 7Y	Common Anode-yellow	300	99	DL701	Common Anode-red ± 1	300	99
MAN 7Z	Common Anode-clear	300	.75	DL704	Common Cathode-red	300	99
MAN 7A	Common Anode-red	300	1.25	DL707	Common Anode-red	300	99
MAN 84	Common Anode-yellow	300	49	DL728	Common Cathode-red	500	1.49
MAN 87	Common Anode-orange	300	99	DL730	Common Cathode-red	600	1.49
MAN 86	Common Anode-orange	300	99	DL741	Common Anode-red ± 1	630	1.49
MAN 3620	Common Anode-orange	400	99	DL746	Common Anode-red	630	1.49
MAN 3630	Common Anode-orange ± 1	300	99	DL747	Common Anode-red	600	1.49
MAN 3640	Common Cathode-orange	300	99	DL749	Common Cathode-red ± 1	630	1.49
MAN 4610	Common Anode-yellow	400	99	DL750	Common Cathode-red	600	1.49
MAN 4640	Common Cathode-yellow	400	99	DL338	Common Cathode-red	110	35
MAN 4710	Common Anode-red	400	99	FDN70	Common Cathode	250	69
MAN 4730	Common Anode-red ± 1	400	99	FDN58	Common Cathode ± 1	357	75
MAN 4740	Common Cathode-red	400	99	FDN59	Common Cathode	357	75
MAN 4810	Common Anode-yellow	400	99	FDN53	Common Cathode(FDN500)	500	99
MAN 4840	Common Cathode-yellow	400	99	FDN507	Common Anode (FDN510)	500	99
MAN 6610	Common Anode-orange-D	560	99	S08Z-7730	Common Anode-red	300	99
MAN 6620	Common Anode-orange ± 1	560	99	H08P-3400	Common Anode-red	800	1.50
MAN 6640	Common Cathode-orange-D	560	99	H08P-3403	Common Cathode	800	1.50
MAN 6650	Common Cathode-orange ± 1	560	99	S08Z-7302	4 x 7 SgD Digit-RHOP	600	19.95
MAN 6660	Common Anode-orange	560	99	S08Z-7300	4 x 7 SgD Left-LHOP	600	19.95
MAN 6670	Common Cathode-orange	560	99	S08Z-7304	Overrange character (- ± 1)	600	15.00
MAN 6810	Common Anode-red-D	560	99	S08Z-7340	4 x 7 SgD Digit-Hexadecimal	600	22.50

RCA LINEAR

Calculator chips/drivers, Clock chips, Motorola

CA3013T	2.15	CA3028N	2.00	MMS375	\$4.95	MC1408L7	\$4.95
CA3022T	2.56	CA3028N	1.60	MMS376	82.95	MC1408L8	5.75
CA3031T	2.48	CA3088N	8.00	MMS312	4.95	MC139L	2.95
CA3039T	1.35	CA3098N	3.75	MMS314	4.95	MC3022P	2.95
CA3046N	1.30	CA3130T	1.90	MMS316	6.95	MC3516P	3.50
CA3059N	3.25	CA3140T	1.25	MMS318	9.95	MC4016(74416)	7.50
CA3069N	3.25	CA3160T	1.25	MMS369	2.95	MC4242P	6.95
CA3080T	8.5	CA3401N	5.99	MMS387/1998A	4.95	MC4040P	3.95
CA3081N	2.00	CA3600N	5.00	C.A. LED driver	1.00	MC4044P	4.50

IC SOLDERTAL... LOW PROFILE (TIN) SOCKETS

Pin	LP	25-49	50-100
8 pin LP	1-24	19	18
14 pin LP	20	19	18
18 pin LP	22	21	20
18 pin LP	22	28	27
20 pin LP	34	32	30
14 pin ST	27	25	24
16 pin ST	30	27	25
16 pin ST	35	32	30
18 pin SG	35	32	30
18 pin SG	52	47	43

WIRE WRAP SOCKETS (GOLD) LEVEL 3

8 pin WW	\$3.38	38	31
10 pin WW	4.5	41	37
14 pin WW	3.9	38	37
18 pin WW	4.9	42	41
18 pin WW	7.5	68	62
20 pin WW	8.5	79	72

1/4 WATT RESISTOR ASSORTMENTS - 5%

ASST.	1	5ea	27 Ohm	33 Ohm	39 Ohm	47 Ohm	56 Ohm	50 PCS	\$1.75
ASST. 2	5ea	68 Ohm	82 Ohm	100 Ohm	120 Ohm	150 Ohm		50 PCS	\$1.75
ASST. 3	5ea	1.2k	1.5k	1.8k	2.2k	2.7k		50 PCS	\$1.75
ASST. 4	5ea	3.3k	3.9k	4.7k	5.6k	6.8k		50 PCS	\$1.75
ASST. 5	5ea	10k	12k	15k	18k			50 PCS	\$1.75
ASST. 6	5ea	390k	470k	560k	680k	820k		50 PCS	\$1.75
ASST. 7	5ea	1M	1.2M	1.5M	1.8M	2.2M		50 PCS	\$1.75
ASST. 8R	5ea	2.7M	3.3M	3.9M	4.7M	5.6M		50 PCS	\$1.75

\$10.00 Min. Order - U.S. Funds Only Spec Specs - 25¢ 1980 Catalog Available - Send 41¢ stamp
Postage - Add 5% plus \$1 Insurance (if desired)

Jameco ELECTRONICS

MAIL ORDER ELECTRONICS - WORLDWIDE
1355 SHOREWAY ROAD, BELMONT, CA 94002
ADVERTISED PRICES GOOD THRU JANUARY

PHONE ORDERS WELCOME (415) 592-8097

TELEPHONE/KEYBOARD CHIPS

AY-5-9100	Push Button Telephone Dialer	\$14.95
AY-5-9300	Memory Diattler	4.95
AY-5-9600	CMOS Clock Generator	4.95
AY-5-2376	Keyboard Encoder (88 keys)	14.95
4C292	Keyboard Encoder (16 keys)	7.95
4C292	Keyboard Encoder (16 keys)	7.95
4C292	Keyboard Encoder (20 keys)	6.25

ICM CHIPS

ICM7045	CMOS Precision Timer	24.95
ICM7205	CMOS LED Stopwatch/Timer	17.95
ICM7207	Oscillator Controller	7.50
ICM7208	Seven Decade Counter	19.95
ICM7209	Clock Generator	6.95

NMOS READ ONLY MEMORIES

MCM6571	128 X 8 X 7 ASCII Shifted with Greek	13.50
MCM6574	128 X 9 X 7 Math Symbol & Pictures	13.50
MCM6575	128 X 9 X 7 Alpha Control Char Gen	13.50

MISCELLANEOUS

TL074CN	Quad Low Noise Bi-FET Op Amp	2.49
TL494CN	Switching Regulator	4.49
TL496CP	Single Switching Regulator	1.75
11C90	Divide 10/11 Prescaler	19.95
92490	10-Speed Divide 10/11 Prescaler	2.99
4N33	Photo-Darlington Output Isolator	3.95
MKS50240	Tot Pole Free Generator	17.50
DS0026CH	5MHz 2-phase MOS clock driver	3.75
	27' red num display with logic chip	2.99
MMS320	TV Camera Sync Generator	14.95
MMS330	4 1/2 Digit DPM Logic Block (Special)	3.95
LD101110H	3 1/2 Digit A/D Converter Set	25.00/set
MC14433P	3 1/2 Digit A/D Converter	13.95

LITRONIX ISO-LIT 1

Photo Transistor Output Isolator (Same as MCT 2 or 4N25)

49¢ each

SN 76477 SOUND GENERATOR Generates Complex Sounds Low Power - Programmable \$3.95 each

TV GAME CHIP AND CRYSTAL

AY-5-8500-1 and 2.01 MHZ Crystal (Chip & Crystal Includes score display, 6 games and select angles, etc.

7.95/set

EXAR

XR205	\$8.40	XR2240CP	1.50
XR210	4.40	XR2264	4.25
XR215	4.40	XR2556	3.20
XR220	6.55	XR2567	2.99
XR1555	1.50	XR3403	2.25
XR555	.99	XR1800	3.20
XR556	.99	XR2206	4.40
XR567CP	.99	XR2207	3.85
XR567CT	1.25	XR2208	4.95
XR1310P	1.95	XR2209	1.75
XR1468CN	3.85	XR2211	5.25
XR1488	1.95	XR2212	4.35
XR1489	1.95	XR2240	3.45
		XR4741	1.47

DIODES

TYPE	VOLTS V	PRICE	TYPE	VOLTS V	PRICE
1N746	3.3	400m	1N4003	200 PIV 1 AMP	12/1.00

FTC Revolt

You've heard of the tax revolt. It's about time for an FTC revolt. Here's my story and why we've got to stop federal bureaucratic regulation.

**By Joseph Sugarman, W9IQO
President, JS&A Group, Inc.**

My story is only one example of how the FTC is harassing small businesses but I'm not going to sit back and take it.



I'm pretty lucky. When I started my business in my basement eight years ago, I had little more than an idea and a product.

The product was the pocket calculator. The idea was to sell it through advertisements in national magazines and newspapers.

Those first years in the basement weren't easy. But, we worked hard and through imaginative advertising and a dedicated staff, JS&A grew rapidly to become well recognized as an innovator in electronics and marketing.

THREE BLIZZARDS

In January of 1979, three major blizzards struck the Chicago area. The heaviest snowfall hit Northbrook, our village—just 20 miles north of Chicago.

Many of our employees were stranded—unable to get to our office where huge drifts made travel impossible. Not only were we unable to reach our office, but our computer totally broke down leaving us in even deeper trouble.

But we fought back. Our staff worked around the clock and on weekends. First, we processed orders manually. We also hired a group of computer specialists, rented outside computer time, employed a computer service bureau, and hired temporary help to feed this new computer network. We never gave up. Our totally dedicated staff and the patience of many of our customers helped us through the worst few months in our history. Although there were many customers who had to wait over 30 days for their parcels, every package was eventually shipped.

WE OPENED OUR DOORS

During this period, some of our customers called the FTC (Federal Trade Commission) to complain. We couldn't blame them. Despite our efforts to manually notify our customers of our delays, our computer was not functioning making the task extremely difficult.

The FTC advised JS&A of these complaints. To assure the FTC that we were a responsible company, we invited them to visit us. During their visit we showed them our computerized microfilm system which we use to back up every transaction. We showed them our new dual computer system (our main system and a backup system in case our main system ever failed again). And, we demonstrated how we were able to locate and trace every order. We were very cooperative, allowing them to look at every document they requested.

The FTC left. About one week later, they

called and told us that they wanted us to pay a \$100,000 penalty for not shipping our products within their 30-day rule. (The FTC rule states that anyone paying by check is entitled to receive their purchase within 30 days or they must be notified and given the option to cancel.)

NOT BY CONGRESS

The FTC rule is not a law nor a statute passed by Congress, but rather a rule created by the FTC to strengthen their enforcement powers. I always felt that the rule was intended to be used against companies that purposely took advantage of the consumer. Instead, it appears that the real violators, who often are too difficult to prosecute, get away while JS&A, a visible and highly respected company that pays taxes and has contributed to our free enterprise system, is singled out. I don't think that was the intent of the rule.

And when the FTC goes to court, they have the full resources of the US Government. Small, legitimate businesses haven't got a chance.

We're not perfect. We do make mistakes. But if we do make a mistake, we admit it, accept the responsibility, and then take whatever measures necessary to correct it. That's how we've built our reputation.

BLOW YOUR KNEE CAPS OFF

Our attorneys advised us to settle. As one attorney said, "It's like a bully pulling out a gun and saying, 'If you don't give me a nickle, I'll blow your knee caps off.'" They advised us that the government will subpoena thousands of documents to harass us and cause us great inconvenience. They warned us that even if we went to court and won, we would end up spending more in legal fees than if we settled.

To settle would mean to negotiate a fine and sign a consent decree. The FTC would then issue a press release publicizing their victory.

At first we tried to settle. We met with two young FTC attorneys and agreed in principle to pay consumers for any damages caused them. But there were practically no damages, just a temporary computer problem, some late shipments, and some bad weather. The FTC then issued a massive subpoena requesting documents that will take us months to gather and which we feel was designed to harass or force us to accept their original \$100,000 settlement request.

Remember, the FTC publicizes their actions. And the higher the fine, the more the

publicity and the more stature these two attorneys will have at the FTC.

If this all sounds like blackmail—that's just what it appeared to be to us.

We did ship our products late—something we've admitted to them and which we publicly admit here, but we refuse to be blackmailed into paying a huge fine at the expense of our company's reputation—something we've worked hard eight years to build.

We're not a big company and we realize it would be easier to settle now at any cost. But we're not. If this advertisement can attract the attention of Congressmen and Senators who have the power to stop the harassment of Americans by the FTC, then our efforts will be well spent.

ALL AMERICANS AFFECTED

Federal regulation and the whims of a few career-building bureaucrats is costing taxpayers millions, destroying our free enterprise system, affecting our productivity as a nation and as a result is lowering everybody's standard of living.

I urge Congressmen, Senators, businessmen and above all, the consumer to support legislation to take the powers of the FTC from the hands of a few unelected officials and bring them back to Congress and the people.

I will be running this advertisement in hundreds of magazines and newspapers during the coming months. I'm not asking for contributions to support my effort as this is my battle, but I do urge you to send this advertisement to your Congressmen and Senators. That's how you can help.

America was built on the free enterprise system. Today, the FTC is undermining this system. Freedom is not something that can be taken for granted and you often must fight for what you believe. I'm prepared to lead that fight. Please help me.

Note: To find out the complete story and for a guide on what action you can take, write me personally for my free booklet, "Blow your knee caps off."

JS&A PRODUCTS
THAT
THINK

One JS&A Plaza, Northbrook, Ill. 60062

© JS&A Group, Inc., 1979

communications audio processor for reception

This article describes a system aimed at the special needs of Amateur Radio CW and voice signal reception. It's called the Comm Audio processor (CAP) and uses a combination of special voice-frequency filters, binaural synthesis, Tone-Tag modulation, and controlled antiphase noise.

design considerations

Much attention was given to aspects of human engineering, signal environment, and operation in the CAP design. For example, most ham receivers provide plenty of band spread and a high-quality, calibrated tuning control, so selecting frequency in an add-on unit would be redundant. Accordingly, the CAP has been designed so that once everything is set up for a given voice or CW mode, most attention and operational control remains within your basic receiver. Aside from human engineering aspects, our very complex signal environment — both manmade and natural — contributed to the system design. In this respect the FCC's frequency allocation system heavily influenced all of the hardware because, through their regulation, there are at least three major radio signal environments in the high frequency spectrum: First, clear-channel frequencies are available for many industrial, public-broadcast, and governmental activities. Second, there are channelized frequency blocks, such as CB and many commercial and government allocations. Finally there is our type. We hams are required to fit our signals into frequency *bands* but aren't regimented into *channels* (so a few freedoms do remain!).

Because we have freedom of choice on any frequency within an allocated band, we're able to get five to ten times more useful communications functions in the ham phone bands than can be obtained in FCC channelized allocations of equal bandwidth, and up to fifty times or more in the CW bands. Certainly this signal density is such that QRM is one of the Q codes most popular; but the pressure has resulted, and will continue to result, in transmitter, receiver, antenna, and control design improvements. Clearly, our signal environment demands that we do not transmit on or receive unnecessary frequencies.

In addition to the human engineering and signal



environmental aspects, there is the belief on my part that most hams, particularly DXers, are interested in enhancing weak-signal reception when there are strong signals nearby. The key to this is retaining an awareness of the noise floor and maintaining linearity in the signal path throughout an entire receiving system. A strong signal will suppress a weak signal either through the use of agc or by allowing compression of any stage. CAP was designed in consideration of these objectives.

In the system shown in fig. 1,* design effort has been directed toward an audio system for the Amateur brand of voice and CW communications. The unit contains the following key features, none of which are found to a refined degree in manufactured receivers:

1. Voice-shaped filter — thirteen poles to improve signal-to-noise ratio and reduce QRM by rejecting a broad spectrum between the first and second voice formants.
2. Binaural synthesis for both voice and CW.
3. Tone-Tag — the system that distinctively modulates any signal tuned to 750 ± 50 Hz, the binaural crossover frequency.
4. Nine-pole, 100-Hz bandwidth, stagger-tuned filter for super-steep skirts with a passive prefilter.
5. A continuously adjustable pink (soft) noise source — the how and why of this is covered in detail.

By Don E. Hildreth, W6NRW, Hildreth Engineering, P.O. 'Box 60003, Sunnyvale, California 94088

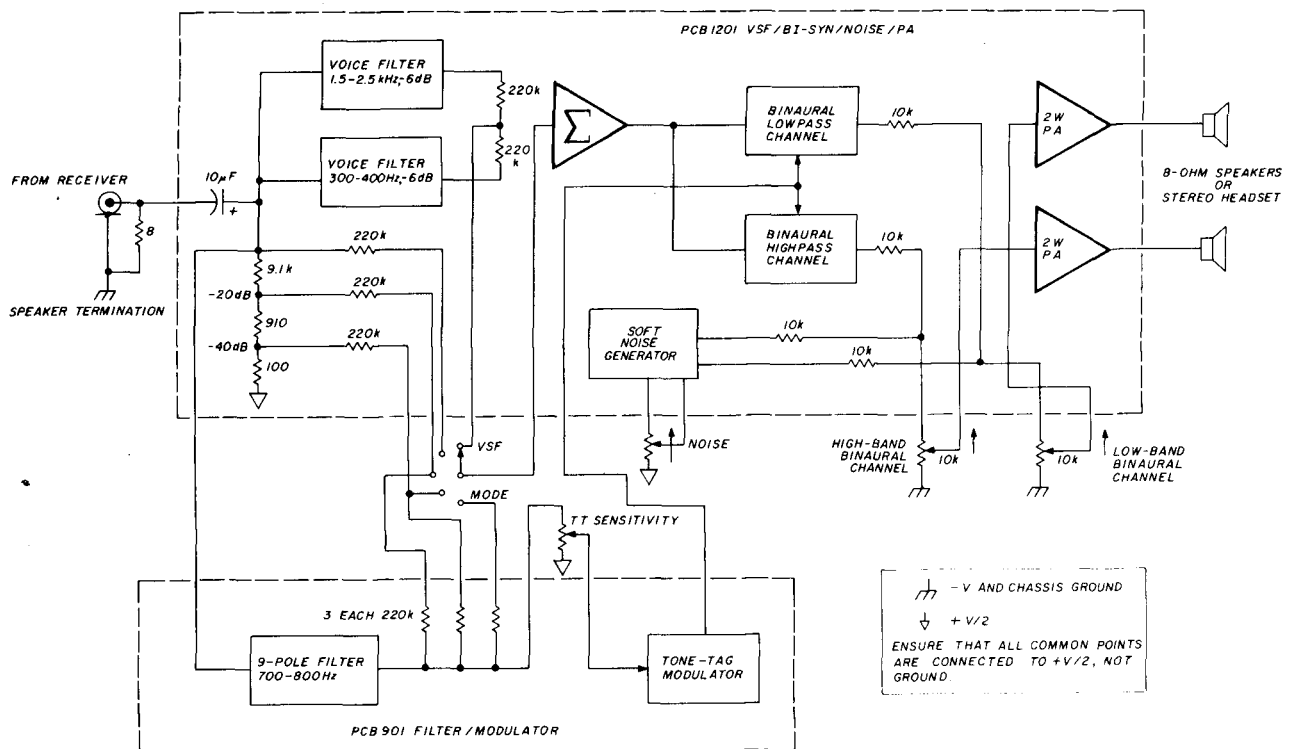


fig. 1. Comm Audio Processor.

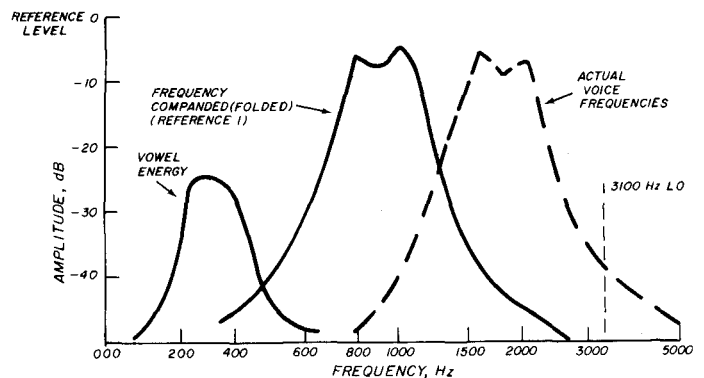
Over the years many voice-manipulating systems have been proposed and developed, all aimed at making more effective use of the actual spectral distribution in the human voice. Most recently Dr. Richard W. Harris and J. F. Cleveland developed an excellent technique.¹ In this system, the voice spectrum is transformed following your transmitter's microphone output, as shown in **fig. 2**. The second and third voice formants (contained in the dashed area) are folded by a 3.1-kHz oscillator, mixer, and filters, which results in a band between about 300 and 1600 Hz for transmission.

An inverse system, again using a 3.1-kHz oscillator, mixer, and filters at the received audio end, unfolds (returns) second and third formants to their proper position (dashed). The amount of bandwidth actually involved is not reduced but merely rearranged.

Although frequency tolerances will have to be tightened, this system can nearly double the effective spectrum now used for voice-only, channelized communications. Since it can be applied to services such as CB, police, fire, and many other industrial, commercial, and governmental functions, frequency companding of this type could reduce the pressures to gobble up the ham bands.

The Comm Audio Processor design is based on the reality that those working in ham frequency bands up to 28 MHz are involved in nonchannelized communications, which is also heavily influenced by skip conditions.

We play billiards with the ionosphere, which reduces the effectivity of a frequency compandor. If you can't tell, because of skip, where other stations may be, how do you know where to place your bundles of voice energy?



THE COMM AUDIO PROCESSOR PUTS A FILTER RESPONSE AROUND THE VOWEL AND CONSONANT ENERGY (VOICE FORMANT) BANDS WITH INDEPENDANT LEVEL ADJUSTMENT.

fig. 2. Folded voice-spectrum on approximated energy distribution. The Comm Audio Processor puts a filter response around the vowel and consonant energy (voice formant) bands with independent level adjustment.

*A drilled and etched PC-board set is available for \$9.95 postpaid. Send a self-addressed, stamped envelope for a complete product listing to Hildreth Engineering, P.O. Box 6003, Sunnyvale, California 94088. Phone (408) 245-3279.

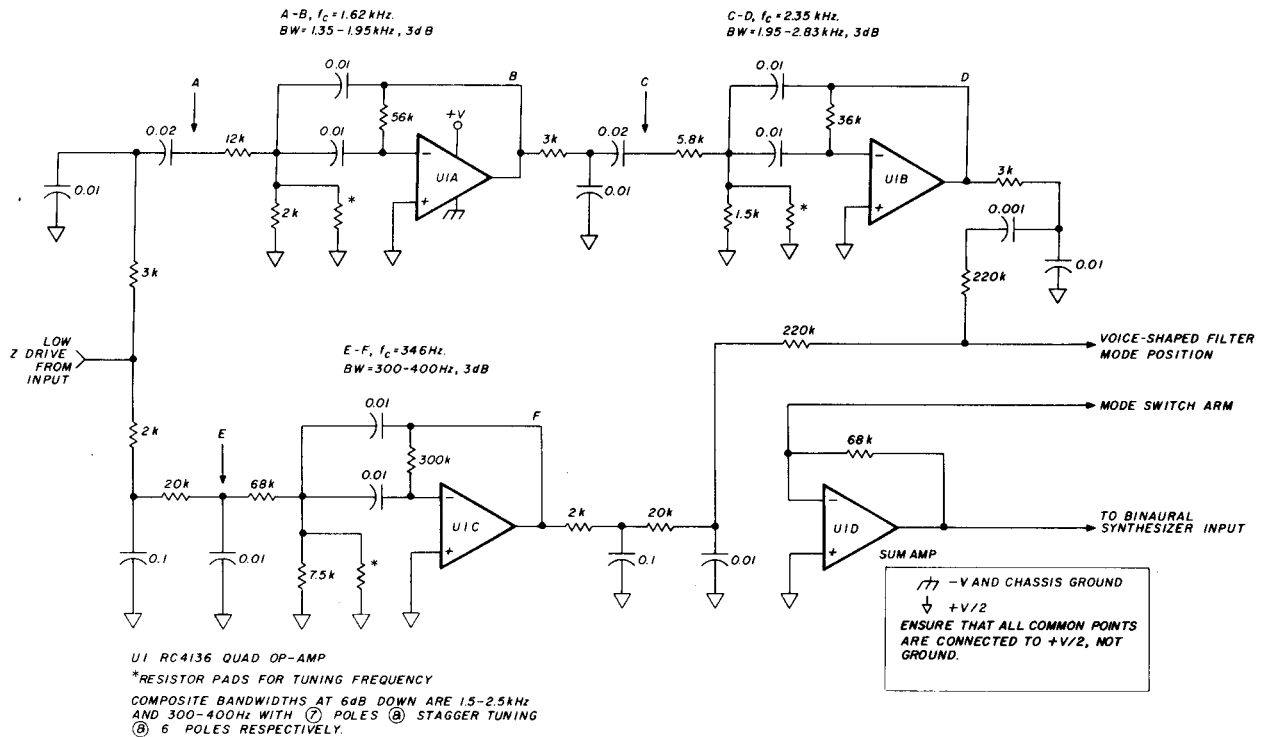


fig. 3. Voice-shaped filter and sum amplifier. Composite bandwidths at 6-dB down are 1.5-2.5 kHz and 300-400 Hz with seven poles and stagger tuning and six poles respectively.

Fig. 3 shows CAP's voice-shaped filter (VSF). In this case, it's not mandatory to roll transmitted voice energy off sharply above 2.5 kHz. It is desirable, however, because 2.5 kHz of bandwidth (or, more accurately, response from 1.5 to 2.5 kHz) will supply the basic needs for voice communications; the human voice does emit unnecessary energy to 10 kHz or so. Even though this energy can be filtered at the receiving end by someone listening to *you*, this energy will appear as lower frequencies — thus unfilterable — for other stations up to 8 or 9 kHz away. The design shown in fig. 3 can also be used in your microphone circuit. It would make other hams in our crowded bands very happy.

binaural synthesizer

To synthesize a binaural sound environment, the audio output passband from any receiver is divided (with reasonably sharp filters) into two parts. Frequencies below 750 Hz are fed to one speaker and frequencies above 750 Hz are fed to another. The speakers are located as you would place them for stereo listening. Speaker locations and their resulting stereo amplitude potentials are shown in fig. 4. A maximum differential of 7 dB (only slightly more than one S unit of signal strength) holds through most of a typical voice communications bandwidth from about 500 Hz to 3 kHz.² Below 500 Hz the human stereo potential diminishes; below 300 Hz it's gone.

Since the 7-dB differential occurs because of the

"sound shadow" presented by your head, you may leap to the thought of a huge improvement by using stereo headsets. But wait. It won't happen. You can get a better amplitude differential with headsets, but that's not the whole story. Our brain processes a sound wave, or many, in terms of much more than

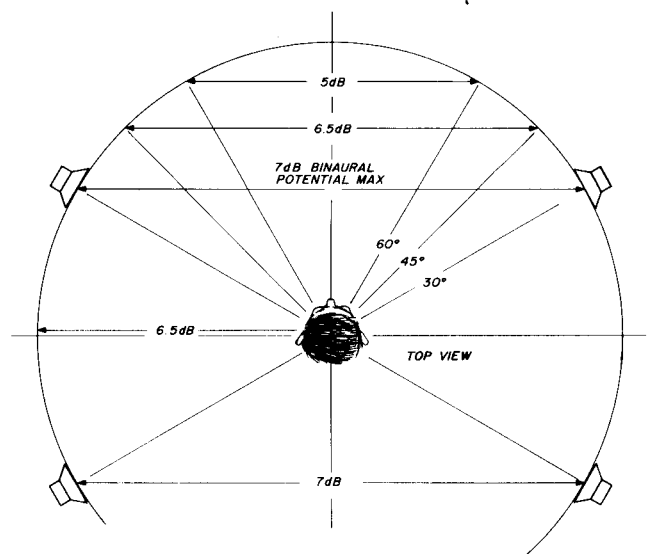


fig. 4. Locating speakers for best binaural amplitude separation. The maximum effective binaural differential based on intensity is obtained when speakers are located forward of, or behind, an imaginary line through your ears by about 30 degrees.

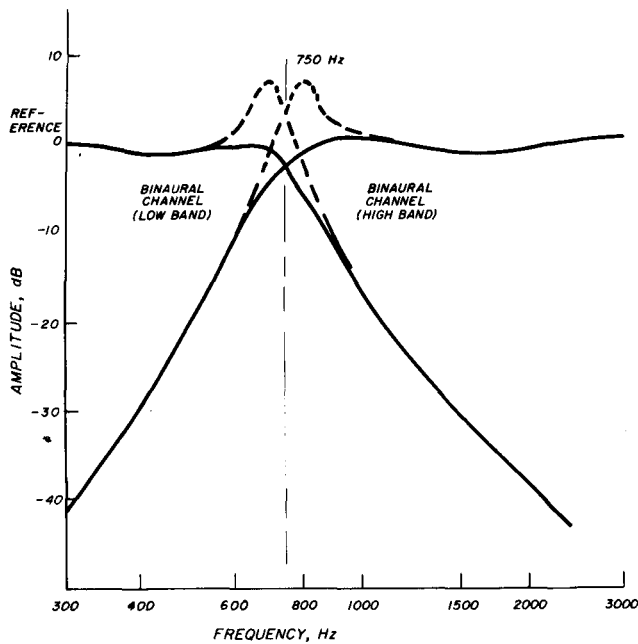


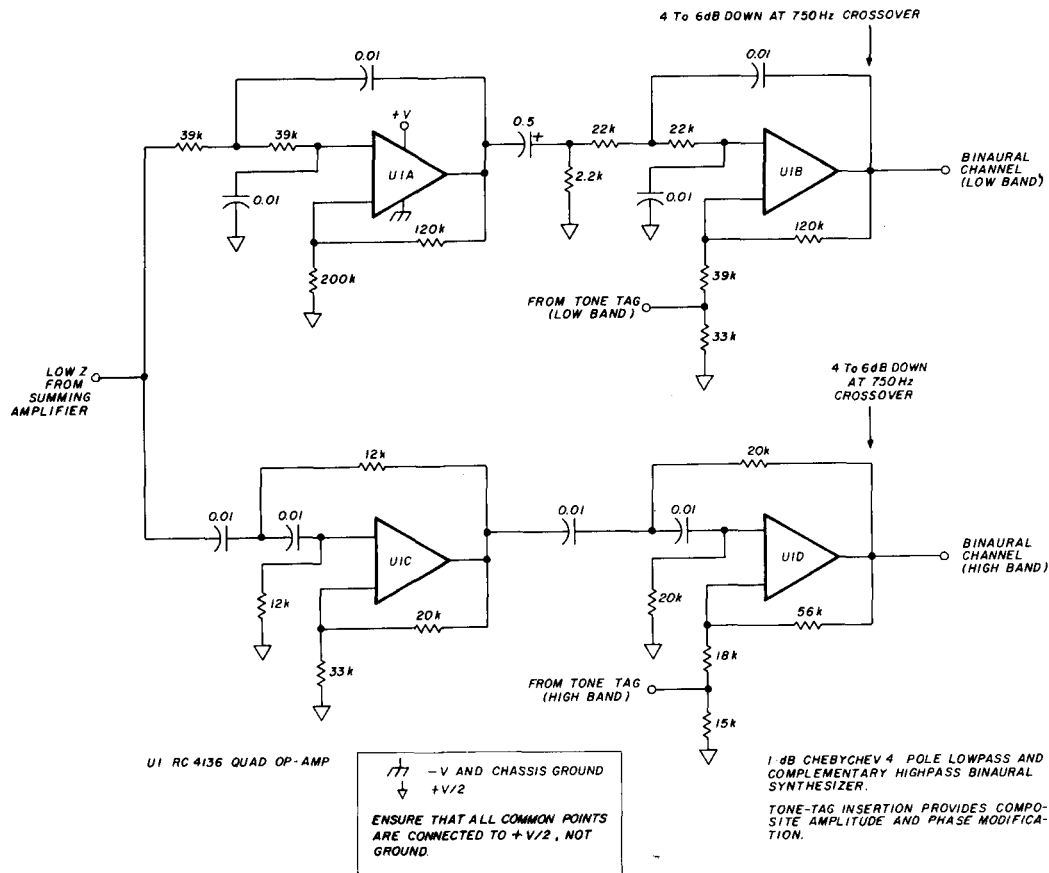
fig. 5 (above). Binaural response. Solid lines show approximate 1-dB Chebychev response. Tone-Tag changes response to dashed lines 100 times/second.

fig. 6 (below). 1-dB Chebychev four-pole lowpass and complementary highpass binaural synthesizer. Tone-Tag insertion provides composite amplitude and phase modulation.

just relative amplitude. There are also time-of-arrival and phase variation phenomena. Headsets wipe these out in our system. When using speakers with the binaural synthesis method used here, sounds originate to the right or left in space, just as in nature. However, when a CW beat note is tuned to the crossover frequency of 750 Hz, the brain gets equal information in terms of amplitude and time-of-arrival from both left and right azimuths, resulting in the impression of "surround sound." Headsets work well, of course, but you just won't get the improvement you may expect.

In the CAP, 1-dB Chebychev four-pole lowpass and complementary highpass filters are used, with a frequency crossover (equal energy from both sides) at 750 Hz. The voltage control voltage source (VCVS) active filter form enables the insertion of Tone-Tag modulation. Fig. 5 shows a representative response (solid lines). Tone-Tag modulation alternates the response between the solid and dashed lines, but only as driven by a signal tuned to 750 ± 50 Hz through a 9-pole filter and at a nominal 100-Hz rate. Fig. 6 is a complete schematic.

In the first article describing a binaural synthesizer for CW reception³ a simple cascade of 2-pole filters was used. To improve the crossover slope without adding more poles and to improve Tone-Tag inser-



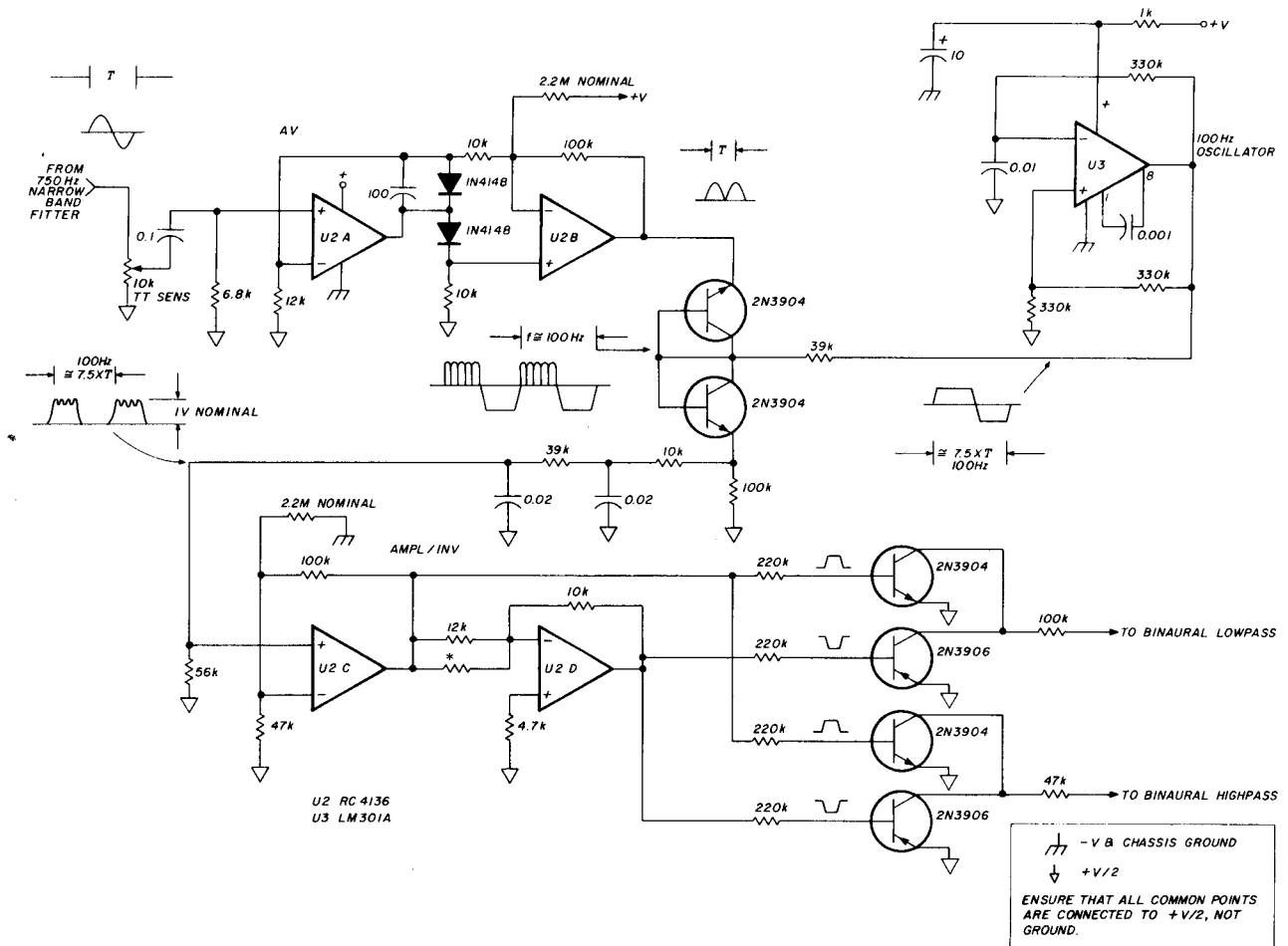


fig. 7. Tone-Tag modulator. Resistor marked with an asterisk at U2D — input is adjusted for minimum tone output from the binaural lowpass when at least 100 mW of 750 Hz signal is at the input above and the signal input line of the binaural section is grounded to signal ground (V/2). Resistor nominal value is 57k.

tion, the design has been changed to the Chebychev type. (Burr-Brown⁴ supplies an excellent set of tables for Butterworth, Bessel, and Chebychev designs.) To improve antiphase response enabled by the binaural system, the low- and high-pass systems are adjusted to be about 4-6 dB down at the 750-Hz crossover frequency.

Tone-Tag

The Tone-Tag system first used (model 1100) was based on simplicity.⁵ Now, however, refinement has set in. Our model 1500 changed the modulator from diodes to a balanced bipolar technique to improve weak-signal performance in a noisy background. And CAP adds still further, although minor, improvement. Fig. 7 shows the heart of our current Tone-Tag modulator design.

The absolute value (AV) circuit — also called a precision rectifier — transforms any incoming signal to a 750 ± 50 Hz rectified, unfiltered positive output with a gain of ten. When no signal is present, positive

excursions of a nominal 100-Hz oscillator are clamped to a nominal +0.5 volt by a diode-connected transistor working against the low-impedance zero output of the AV op-amp. A second diode-connected transistor, turned around, subtracts most of the +0.5 volt signal and rejects the negative half cycles of the 100-Hz oscillator signal. When an input signal appears, positive excursions appear at the AV output, and the diode-connected transistor releases its clamp on the 100-Hz oscillator, which results in the waveforms shown.

Since more current normally flows in the first diode than in the second, the second diode voltage doesn't quite offset that of the first. The resistor from — of U2B to +V provides a small compensating offset at the U2B output, resulting in a near zero voltage at U2C input.

When no 750-Hz signal is present, U2C provides a nominal gain and a small offset, which sets the modulator transistors to near conduction. U2D inverts U2C output to provide a balanced drive to the com-

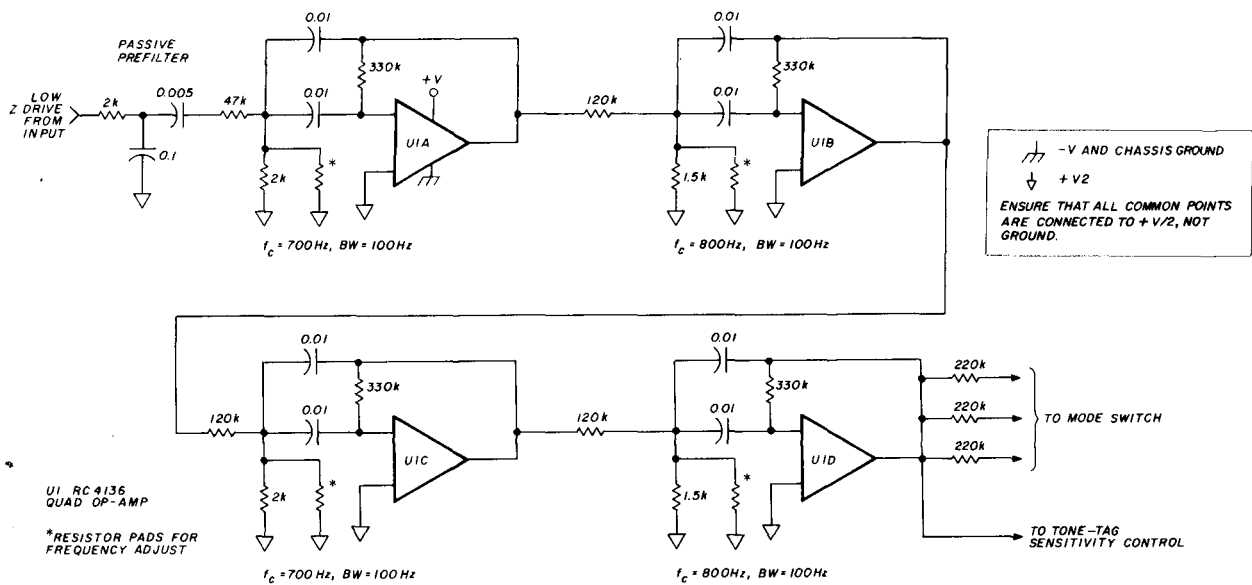


fig. 8. Nine-pole, 100-Hz bandwidth stagger-tuned, 750-Hz filter. Passive prefilter provides pole at 750 Hz with phase-corrective element.

plementary modulator transistor switches. This action is precisely set with the padding resistor marked with an asterisk in fig. 7. Resistor-buffered switch outputs are fed to the binaural synthesizer (fig. 6).

9-pole narrowband filter

A narrowband filter centered at 750 Hz, the binaural crossover frequency, is required to drive the Tone-Tag AV input circuit. Since a filter of this type is popular in its own right, a very steep-skirted, stagger-tuned device was used. A passive prefilter is used in addition to quality RC4136 op-amps to mitigate the effects of transient intermodulation distortion that may be induced by impulse noise or transients (key clicks). The design also minimizes small-signal compression by strong nearby signals acting on the first, and most susceptible, filter stage. The composite is the 9-pole filter shown in fig. 8.

good noise — bad noise

White noise or pink noise (shaped) is often added to communications circuits to mask distracting forms of low-level interference. In most of its applications, this form of noise is soft and fluffy, even pleasant. Pink noise generators are even found in such diverse applications as sleep aids and pain suppressors for some dental operations. When properly used, this is "good" noise.

Then there's that other kind, the abrasive, or "bad," noise that ranges between 10 and 40 dB thick depending on frequency, time of day or year, and your location⁶ (fig. 9). This noise, available at your antenna terminals, is the sum of many sources. Added to nature's atmospheric electrical disturbances,

manmade electrical perturbations mix in to generate the din. Electrical circuits being made or broken create impulse-like radiation that chirps through the spectrum. Auto ignition, power leak . . . the list can go on and on.

Thermal noise — and, to a large extent, galactic noise — can be thought of as a statistical average of a very large number of low-energy electrical perturbations. At the same time, manmade and atmospheric noise comes from a much smaller number of relatively high-energy events. When heard, these noise types influence our receivers and our nervous systems very differently. The sum of the two noise

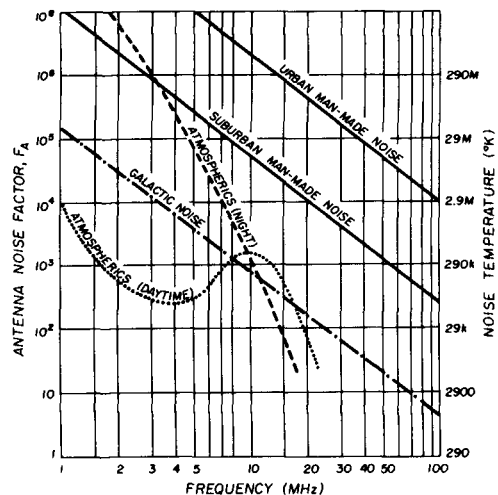


fig. 9. Receiver sensitivity is limited by the external available noise power, which varies with frequency. For a quiet, rural location, galactic noise is the limiting factor down to about 18 MHz, and atmospheric noise dominates below 18 MHz.

types could be described as a foam mattress (thermal noise) perforated by a family of random spikes (impulse noise and signals).

In practice, something approximating "good" noise may be heard by simply removing the antenna from your receiver and listening with an audio bandwidth of 2-3 kHz or more. The other stuff is what you hear when your antenna is reconnected and you tune with high gain to a spot where no signals are present (it's assumed your receiver is not noise-figure limited). Now, with antenna-received noise present, connect your receiver output to one of those ubiquitous

attempt to get most of the benefits of a multipole narrow-band filter without listening "through" it. However to use Tone-Tag under high-sensitivity levels, coincidental to feeding the binaural synthesizer signal input port with the output of a narrow-band filter (not the original intent), I found that the filter tinkling sound along with the desired signal was modulated — thus boosted — by Tone-Tag. Although the level was not too high, it was objectionable.

On a monaural basis I decided to try adding soft noise to mask those elements of noise that appear at

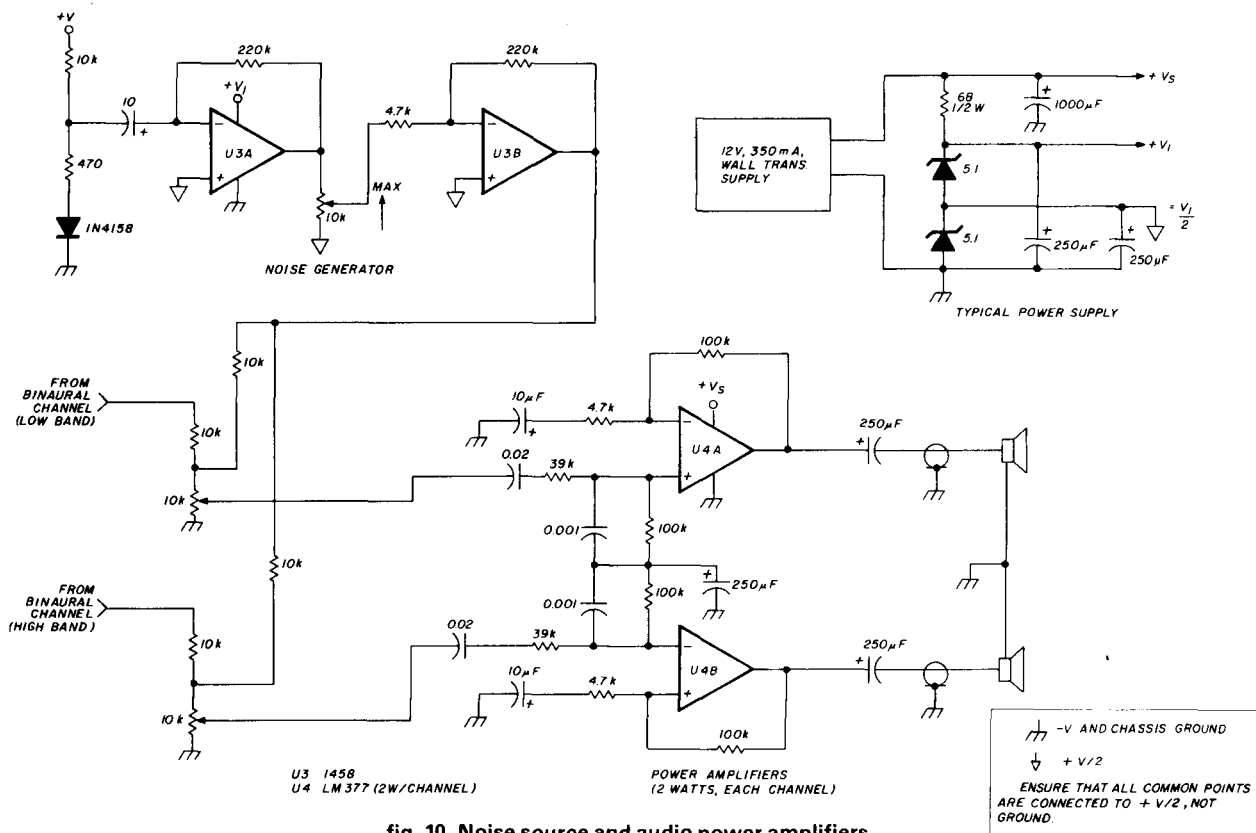


fig. 10. Noise source and audio power amplifiers.

multipole active audio filters. With the rf gain "up," you'll hear that tinkling roar that drives so many of us to look for a better solution, for, even though the little devices do a good job in some respects, they can't filter those noise components that sound like a signal itself. In addition, sporadic, impulse-like noise tweaks the filter to produce sounds approximating what you get if you rapidly strum the strings of a violin while damping them with the other hand. It doesn't ring long, to be sure, but the sounds produced are much too like the code structures in a weak CW signal.

listening experiments

In the Tone-Tag system first published⁵, I made an

a narrow-band filter output with the desired signal. The resulting signal sounded reasonably smooth; but weak signals suffered slightly under the noise load. The next step was to add the soft noise in-phase to binaural audio channels while the signal plus residual filter noise irritants were fed to the two channels in phase opposition, or approximately so.

It's well known that copying a signal in noise with a binaural antiphasic noise combination has a 15-20 dB advantage over the monaural case,⁷ but the question was this: If a weak signal can be clearly heard when added to white noise in this way, will the signal's filtered residual noise components be masked by the white noise? Results were much better than expected!

I've spent many hours listening to compare the readability of a weak signal with or without soft noise added. Clearly it's more pleasing to listen to a signal plus soft noise, and that was expected. But readability, in many cases, was *improved*, which was not expected to the degree I found. Actually, I'd hoped to minimize signal readability degradation with the addition of antiphase binaural noise. It now appears that when a weak signal and abrasive (impulse) noise pass through a narrowband filter, noise elements are transformed into sounds that are so much like the signal's coded structure that they compete with it. The result is a less readable signal. But with noise added in the right way and amount, readability is actually improved.

In no case during these listening tests could I detect signals with the white noise added that could not be detected without the added noise. As expected there was *no basic improvement in signal-to-noise ratio*. But a signal could often be copied with the added noise where it could be heard but not copied when the noise was removed. To date I've found no case where the addition of soft noise has made a signal less readable than without it. Clearly, of course, added noise has usually been at a level just necessary to mask the undesirable noise elements coming out of a narrowband filter. Happily, added noise benefits the critical application of the Tone-Tag referred to above as well!

Since the existing binaural synthesizer already supplies the desired antiphase* condition, summing in-phase noise at the power-amplifier input adds very little to the cost in the CAP design — and one more control knob. **Fig. 10** shows the noise generator and how it's added at the junction of the binaural synthesizer and power amplifiers. Although most emphasis has been on the judicious addition of soft noise in CW reception, the feature can also be used to some advantage in the reception of voice signals.

operating with CAP

The main mode control switch enables the selection of the shaped-voice filter, a nominal 2.5-kHz flat bandwidth for either voice or CW or three CW filter positions. Any selected mode is fed into the binaural synthesizer filters. **Fig. 11** illustrates. Independent power output controls are provided for each binaural synthesizer channel, which allows compensation for different speaker or headset efficiencies or for special effects. The two remaining controls include Tone-Tag sensitivity and amplitude control for the soft-noise source.

When the voice-shaped filter is selected, tuning

your SSB receiver will be easier — more like tuning an a-m signal than when the usual 2.5-kHz flat band-pass filter is used. When the frequency band from about 400-1500 Hz is deeply rejected, a slight-to-moderately mistuned station will not produce much output energy in this band, thus it more quickly disappears as you tune. In addition, under critical conditions often found on 14 MHz, for example, the binaural low-band from 300-400 Hz may be reduced to or near zero with the independent channel output control. Under this condition, the 300-400 Hz low-band segment is still available at approximately 30 dB down in the high-band binaural channel along with its normal 1.5-2.5 kHz response. The noise bandwidth in this super-sharp condition is only about 1 kHz. Clearly recognizable voice is available although it will be nearly devoid of character. Bringing *up* the binaural low-band control will progressively enable individual signal recognition. Some signal conditions allow boosting the low and reducing highs for 100-Hz bandwidth. One click on the mode control and you have the prevalent 2.5-kHz nominal, flat-voice bandwidth, but in binaural.

The 2.5-kHz binaural position is also useful for CW in general listening. When Tone-Tag is used with this bandwidth, the modulation effect is mild because of competition with a relatively wide noise bandwidth. But it's still adequate to provide excellent selectivity through the significant tone quality difference relative to other signals in the bandwidth. In addition, of course, signals not in the modulated pass-band appear on the right or left specifically, while the tagged signal is heard in "surround sound."

On the next click of the mode control, everything in the 2.5-kHz bandwidth — *except* the 100-Hz band centered at 750 Hz — drops 20 dB. All basic conditions remain the same as above, but the Tone-Tag modulation is now more prevalent, and nontagged signals and noise drop a little more than 3 S units. If this isn't enough, the next position moves the floor down 40 dB — nearly 7 S units.

Now, if you're listening to a signal at about S-5 or so and a signal of about the same strength appears at around 400 or 1100 Hz, for example, you are alerted to the fact that the signal is very strong — nearly 16 dB over S-9 and probably suppressing your S-5 signal at his keying rate (if the signal has key clicks, it will be placing energy in a wide band as well). This alerts you to roll back your i-f (often called rf) gain control to avoid probable compression in your receiver's final down-converter (product detector), assuming your first mixer is not also being overloaded. If overloading is present in the first mixer, insertion of some attenuation between it and your antenna is indicated as well. Actually, however, so much attention has been given to the first mixer over the last

*The term antiphase describes the case where a signal is fed out of phase to your two ears and noise is supplied in phase. The inverse is also true. The usual case (as in monaural reception) is called homosphaseic.

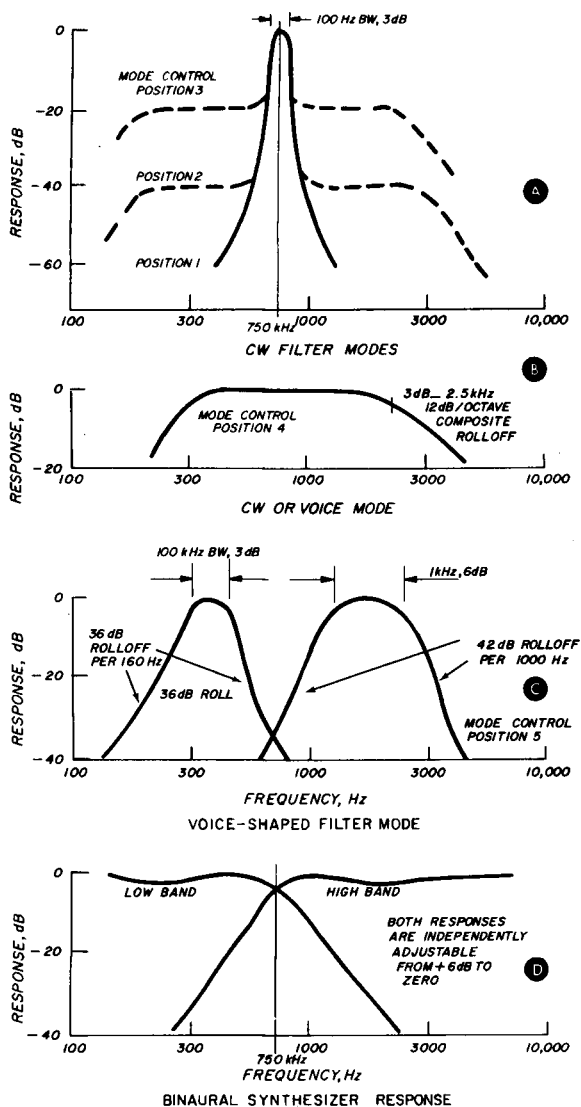


fig. 11. Frequency response. Responses A through C are fed through the response of D to become a binaural function.

two decades that the problem has shifted to the following converter(s) in our current receivers. Corrective action varies somewhat in many receiver designs, but the same general action is taken regardless of whether you are using agc or not.

The last mode select position supplies the basic 9-pole narrowband filter output through the center of the binaural band with no added binaural floor. To make good use of this position usually requires that your receiver have a super-good dynamic range, at least through its product detector.

Tone-Tag may be used or not as you choose in any of the CW modes. In general use, its sensitivity control is advanced to a point of a few degrees above where a given signal is modulated when tuned to the 750-Hz frequency. If no signal is present, increase Tone-Tag sensitivity until background noise is modulated, then back down until the modulated noise is

just barely noticed. The best level is also dependent on your receiver audio-output level. Therefore it's possible, after a little experimentation, to generally set the Tone-Tag control on CAP then adjust your receiver gain to the tag level for any signal being received. Tone-Tag's modulator switching uses a nonabrupt design to avoid critical operation and to mitigate the effect of fade generally present on DX signals. In most cases Tone-Tag will make solid those ghostly multi-hop DX signals.

Finally there's the noise control. At the beginning you may nearly wear out this pot. Since the idea of adding noise seems so contradictory, you may constantly test the effect by repeatedly running the noise level up and down when listening to a weak signal. In general, however, a good starting point is found by increasing the soft noise to a point where it's just barely noticeable when the mode control is in the general 2.5-kHz position. The control is left there for all modes. You'll note that the added soft noise power is fixed relative to your receiver gain setting. Through this feature you may vary the ratio of added soft noise to relatively abrasive antenna-derived noise by receiver gain variations.

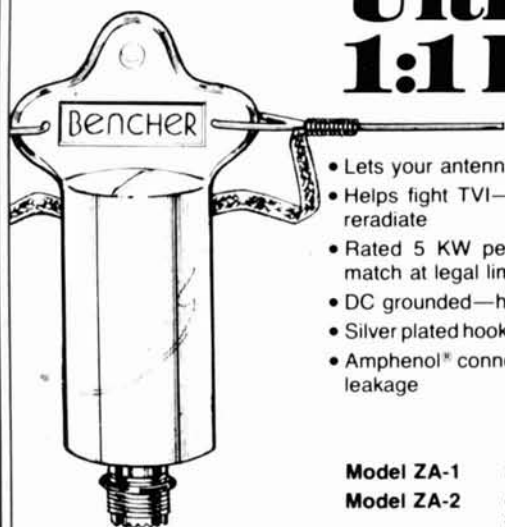
The binaural function provides a spatial sound environment in all modes without the need for adjustment. In addition, however, with proper physical arrangement and some practice, it can also serve as a tuning aid. For example, in using CAP with a Kenwood TS820S the low-band speaker or headset is placed on the right and the high-band device on the left. In this way, if a signal is heard on the left you know that tuning to the right (clockwise) will move the signal in that direction spatially. This is true with the TS820S because its conversion scheme results in an audio tone that moves from high to low as you turn the knob clockwise. Other receivers will be like this or exactly the reverse. The same may be true when going from band to band (SSB filtering for both voice and CW is assumed). The same tuning directional benefits are also present for SSB voice, although the action is more subtle.

references

1. Dr. Richard W. Harris and J. F. Cleveland, "A Baseband Communication System," *QST*, November, 1978, page 11.
2. *Reference Data For Radio Engineers*, Fifth Edition, ITT, pages 35-22.
3. Don E. Hildreth, W6NRW, "Synthesizer for Binaural CW Reception," *ham radio*, November, 1975, page 46.
4. Burr-Brown staff, "Operational Amplifiers — Design and Applications," McGraw-Hill Book Company, 1971, page 320.
5. Don E. Hildreth, W6NRW, "Binaural Synthesizer-Filter with Tone-Tag Modulation," *ham radio*, November, 1976, page 52.
6. James R. Fisk, W1DTY, "Receiver Sensitivity, Noise Figure and Dynamic Range," *ham radio*, October, 1975, page 8.
7. Ira J. Hirsh, "The Influence of Interaural Phase on Interaural Summation and Inhibition," *The Journal of the Acoustical Society of America*, Volume XX, Number 4, July, 1948, page 536.

ham radio

the Ultimate 1:1 BALUN



- Lets your antenna radiate—not your coax
- Helps fight TVI—no ferrite core to saturate or reradiate
- Rated 5 KW peak—accepts substantial mismatch at legal limit
- DC grounded—helps protect against lightning
- Silver plated hook-up braid; Custom molded case
- Amphenol® connector; Rubber ring to stop water leakage

Model ZA-1	3.5-30 mHz	\$15.95
Model ZA-2	optimized 14-30 mHz includes hardware for 2" boom	\$17.95

Available at selected dealers, add \$2.00 postage and handling in U.S.A.

WRITE FOR LITERATURE

BENCHER, inc.

333 West Lake Street, Dept A
Chicago, Illinois 60606 (312) 263-1808

JAN CRYSTALS
HOLD THE FREQUENCY

- CB
- CB standard
- 2 meter
- Scanners
- Amateur Bands
- General Communication
- Industry
- Marine VHF
- Micro processor crystals

Send 10¢ for our latest catalog. Write or phone for more details.

JAN CRYSTALS easy to charge

2400 Crystal Drive
Ft. Myers, Florida 33907
all phones (813) 936-2397

ASTRON POWER SUPPLIES

- HEAVY DUTY • HIGH QUALITY • RUGGED • RELIABLE •

SPECIAL FEATURES

- SOLID STATE ELECTRONICALLY REGULATED
- FOLD-BACK CURRENT LIMITING Protects Power Supply from excessive current & continuous shorted output.
- CROWBAR OVER VOLTAGE PROTECTION on Models RS-7A, RS-12A, RS-20A, RS-35A, RS-20M & RS-35M
- MAINTAIN REGULATION & LOW RIPPLE at low line input Voltage.
- HEAVY DUTY HEAT SINK • CHASSIS MOUNT FUSE
- THREE CONDUCTOR POWER CORD
- ONE YEAR WARRANTY • MADE IN U.S.A
- VOLT & AMP METER ON MODELS RS-20M & RS-35M

PERFORMANCE SPECIFICATIONS

- INPUT VOLTAGE: 105 - 125 VAC
- OUTPUT VOLTAGE: 13.8 VDC ±0.05 volts (Internally Adjustable: 11-15 VDC)
- RIPPLE: Less than 5mv peak to peak (full load & low line)
- REGULATION: ±.05 volts no load to full load & low line to high line



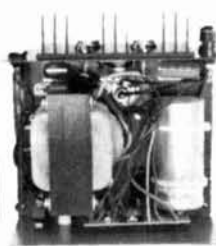
ASTRON 20 AMP REGULATED POWER SUPPLY Model RS-20M

16 Amps continuous
20 Amps ICS*
5" (H) x 9" (W) x 10.5" (D)
Shipping Weight 20 lbs.
Price \$112.95

Other popular POWER SUPPLIES also available: (Same features and specifications as above)

Model	Continuous Duty (amps)	ICS* (amps)	Size (in.) H x W x D	Shipping Wt. (lbs.)	Price
RS-35M	25	35	5 x 11 x 11	29	\$156.95
RS-35A	25	35	5 x 11 x 11	29	\$138.95
RS-20A	16	20	5 x 9 x 10½	20	\$94.95
RS-7A	5	7	3½ x 6½ x 9	8	\$49.95
RS-4A	3	4	3½ x 6½ x 9	5	\$39.95

*ICS — Intermittent Communication Service (50% Duty Cycle)
If not available at your local dealer, please contact us directly.



Inside View — RS-12A

ASTRON CORPORATION

1971 South Ritchey Street
Santa Ana, CA 92705
(714) 835-0682

NEW ELECTRONIC PARTS

Brand name, first line components. Stocked in depth 24 hour delivery. Low prices and money back guarantee on all products we carry.

STAMP BRINGS CATALOG

SPECIALS	W	D	H	PRICE
Keyboard Enclosures	14"	8.3"	3"	\$16.50
	17"	8.3"	3"	19.95
	20"	8.3"	3"	20.95
	14"	11.3"	3"	18.75
	17"	11.3"	3"	20.50
	20"	11.3"	3"	22.65

Blue Base, specify white or black top.



SHIPPING INCLUDED IN PRICE

RTTY

UT4 SPEED CVTR BOARD KIT \$109.95
BOARD ALONE \$18.95
AUTO CW ID KIT \$27.90

Daytapro Electronics, Inc.

3029 N. WILSHIRE LN., ARLINGTON HTS., ILL. 60004
PHONE 312-870-0555

DIPLOLE ANTENNA CONNECTOR



HYE-QUE (HG-1) dipole connector has coax SO-239 socket molded into glass filled plastic body to accept coax PL 259 plug on feedline. Drip-cap keeps coax fittings dry. Instructions included. Guaranteed. At your dealers or \$5.95 postpaid. Companion insulators \$1.25/pr.

BUDWIG MFG. Co., PO Box 829, Ramona, CA 92065
Ca. Res. add 6% Sales Tax

I PAY CASH

for your military surplus electronics
If you have or know of availability:
TT-98 TT-76 Teletypewriter
phone me collect

Dave — (213) 760-1000

Lunar's new 2M 4-40P Linearized Amplifier makes your hand-held synthesized transceiver a GIANT!



1 to 4 WATTS IN— 10 to 40 WATTS OUT.

- Can be used with any 1-5 watt radio.
- Linearized so it's compatible with SSB.
- Has pre-amp for receiver portion to increase power and clarity of incoming signals.
- Amp and pre-amp functions independently controllable.
- Remote control capability.
- Regulated voltage output as required by the FT 207R and TR2400 to conserve battery pack.
- Turns your 1-4 watt transceiver into a higher powered base or mobile station.
- Made with the quality and care that has made Lunar the leader in linearized amps.

SEE IT AT SAROC!

2785 Kurtz Street, Suite 10, San Diego, CA 92110
Telephone 714 299-9740
Telex 181747

Louis N. Anclaux
WB6NMT



Bind 'em and Find 'em

Keep those valuable issues of both Ham Radio and HORIZONS like new. Prevent smears, tears and dog ears. Bind 'em together and enjoy for years to come. You'll be happy you did!

HAM RADIO BINDERS

Beautiful buckram binders complete with date labels. Available in our new large size to accommodate HAM RADIO'S hefty issues.

HR-BDL Each Just \$6.95 3 for \$17.95

HAM RADIO MAGAZINE FILES

Your collection of HAM RADIO Magazines is a valuable resource. Here's a brand new, inexpensive way to store them. These sturdy cardboard magazine files keep them clean, neat and up front where you can use them for quick and easy reference.

HR-HRMF \$1.95 each 3 for \$4.95

HAM RADIO HORIZONS BINDERS

Handsome washable binders complete with date labels.

HR-HRDL Each Just \$6.95 3 for \$17.95

HORIZONS MAGAZINE FILES

Your collection of Ham Radio HORIZONS is a valuable resource. Here's a brand new, inexpensive way to store them. These sturdy cardboard magazine files keep them clean, neat and up front where you can use them for quick and easy reference.

HR-HRHF \$1.95 each 3 for \$4.95



ORDER TODAY

Ham Radio's Bookstore, GREENVILLE, NH 03048
OR CALL TOLL FREE 1 (800) 258-5353

BINDERS

HR-BDL \$6.95 ea. HR-HRMF \$1.95 ea. CASH MC
 HR-HRDL 3/\$17.95 HR-HRHF 3/\$4.95 CHARGE VISA

Card Number _____ Exp. _____

Name _____

Address _____

City _____ State _____ Zip _____



CHRISTMAS GIFTS FOR THE HAM IN YOUR FAMILY PALOMAR ENGINEERS



	Price	Shipping/ Handling
R-X Noise Bridge	\$49.95	\$2.00
VLF Converter	55.00	2.00
All Bands Preamplifier	89.50	2.00
IC Keyer	97.50	3.00
500 Watt RF Transformer	35.00	2.00
2 KW RF Transformer	42.50	2.00
1 K Toroid Balun	22.50	2.00
2 K Toroid Balun	42.50	2.00
Beam Balun (6 KW PEP)	47.50	2.00
Loop Amplifier	67.50	2.00
Plug-in Loop (160/80 meters)	47.50	2.00
Plug-in Loop (broadcast)	47.50	2.00
Plug-in Loop VLF (150-550 KHz)	47.50	2.00
CW Filter	39.95	2.00

LARSEN MOBILE ANTENNA SPECIALS

LM-150 5/8 Wave Whip and Coil	\$21.65	\$2.00
Complete with LM Magnetic Mount ..	34.94	2.00
Complete with LM Trunk Mount	34.42	2.00
NMO-150 5/8 Wave Whip and Coil	\$23.22	\$2.00
Complete with NMO Magnetic Mount ..	38.13	2.00
Complete with NMO Trunk Mount ...	39.20	2.00

WRITE FOR A FREE COPY OF OUR CATALOG

MASTER CHARGE

VISA

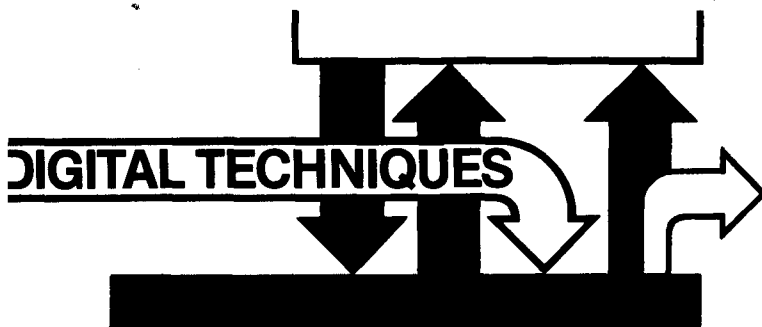
All items F O B Lincoln. \$1.00 minimum shipping. Prices subject to change without notice. Nebraska residents please add 3% tax.

g & c Communications

730 Cottonwood

Lincoln, Nebraska 68510

Phone (402) 489-4891



digital techniques: gate arrays for control

Digital-circuit control sometimes requires a specific set of states. Phase-locked-loop (PLL) frequency-control input is such a condition; the requirement is to translate decimal control to some form of binary output. The example here is control of a "channeled" 10-meter transceiver using a National Semiconductor MM55106 synthesizer package.¹

Fig. 1 shows the analog frequency control with PLL frequency input switching. Tuning is in 5-kHz increments over the band; no shift between transmit and receive. The receiver i-f circuit is assumed to have a 9-MHz crystal filter. This could possibly be a reworked CB set; the 55106 PLL is designed for such applications.

Both VCO outputs are mixed with one crystal-oscillator output to yield frequencies below the 3-MHz maximum of the 55106. Schmitt trigger NAND gates select the mixed VCO outputs, and filter levels are assumed high enough to cross the Schmitt thresholds.

division control

The PLL allows 5- or 10-kHz increments (hardwired

for 5 kHz), with range controlled by programmable divider inputs in binary. Decimal division is obtained by dividing the mixed frequency by five. The range is 152-492 transmit; 168-508 receive, with each converted to binary and applied to the PLL divider input control.

Manual control is through four BCD-coded thumb-wheel switches. The 10- and 100-kHz increment switches are standard. The 5-kHz switch is mechanically locked so that it will switch between only 0 and 5; the 0 position may be either 4 or 6 with a decal cover. The 8/9-MHz switch is locked mechanically to those two positions. The 20-MHz position may be assumed, or a dummy switch may be used for appearance.

The MM55106 has nine binary divider control lines. P0 is the least-significant bit, P8 the most significant bit. The LSB controls 5-kHz increments, P1 controls 10-kHz increments; P2 controls 20-kHz increments, and so on. The task is now to translate four decimal digits to one large binary word, including the frequency difference between transmit and receive.

Fig. 2 shows the switch interface for either TTL or CMOS. The switch is conventional BCD with a single common, so that the inverters change a low ON (grounded) output to a high state. Pull-up resistors

By Leonard H. Anderson, 10048 Lanark Street, Sun Valley, California 91352

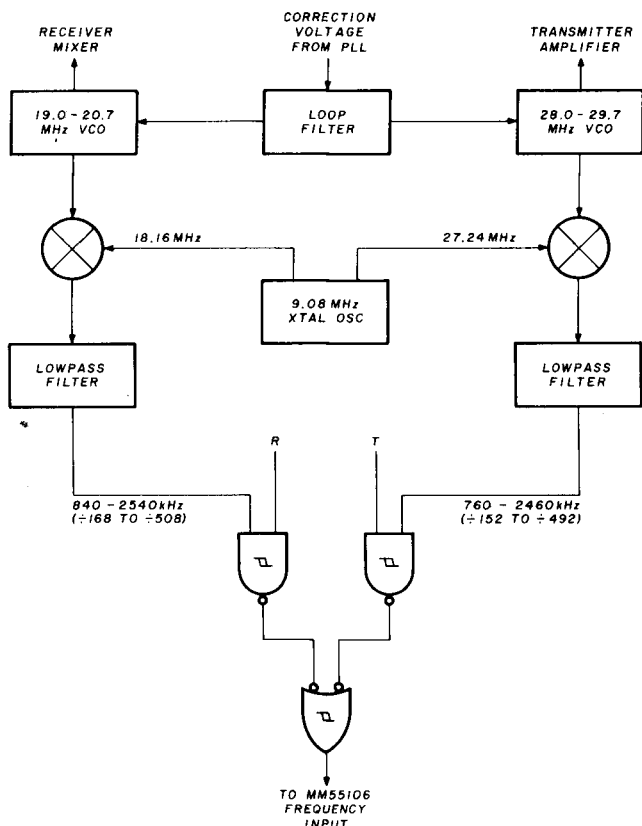


fig. 1. Channelized 10-meter transceiver analog frequency control.

are required, and inverted BCD data is taken from inverter inputs. The 5-kHz and 8/9-MHz switches use only the A switch contact.

translation through addition

TTL packages are available that convert BCD to binary (TI SN74184), but an offset must be provided because the lowest frequency is not zero. The scheme here is to use binary addition for translation with standard packages in TTL or CMOS.

Fig. 3 shows a truth table and schematic for a full adder. A full adder has three inputs. A half adder has only two, using gates G1 and G2 only. Both adders provide a sum and carry out.

Note the Exclusive-OR gates (not mentioned since part one of this series).² The truth table shows that inputs A and B are exclusive relative to the sum, and the sum is exclusive with carry in. Two Exclusive-ORs in cascade provide a full sum. Carry out is always generated with both A and B high. The full adder has a carry out with $A\bar{B}$ or $\bar{A}B$ and a carry in.

Single-bit addition is quite simple. A sum occurs with odd numbers of high inputs. Carry out occurs with two or three inputs high. Note that carry in can

be treated as just another input. Four-bit binary adder packages are available. A single carry in to the LSB and a single carry out from the MSB is external, with other carries internal. Several packages have high-speed, "carry look ahead" connections for fast arithmetic but aren't required here.

Table 1 shows the required binary states from each selector for addition translation. An interim bit nomenclature is used with A as LSB, H as MSB. The 5-kHz K line is neglected for the moment.

translation in detail

The 10-kHz column of table 1 is the same as the conventional BCD switch output in fig. 2. The 100-kHz column looks more complex, but note that 100 kHz is the next binary state up from 90 kHz: 1010. Two-hundred kHz is binary 10100, or the same as 100-kHz-state with a left-shift. Shifting a binary number to the left is the same as multiplying it by two.

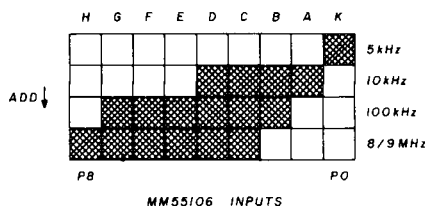
This multiplication with a left-shift allows you to set up an addition of four 100-kHz selector lines to create the six-bit states shown. Some scratchpad work with binary addition will show how the states have been achieved.

The megahertz selector has only two positions. To simplify circuitry, the 8 has been assumed 0 and the 9 assumed 1. A selection of 28.000 would appear to be

table 1. Binary states and addition of selectors.

position	10 kHz				100 kHz				5 kHz			
	D	C	B	A	G	F	E	D	C	B	A	K
0	0	0	0	0	0	0	0	0	0	0	0	0
1	0	0	0	1	0	0	0	1	0	1	0	
2	0	0	1	0	0	0	1	0	1	0	0	
3	0	0	1	1	0	0	1	1	1	1	0	
4	0	1	0	0	0	1	0	1	0	0	0	0
5	0	1	0	1	0	1	1	0	0	1	0	1
6	0	1	1	0	0	1	1	1	1	0	0	0
7	0	1	1	1	1	0	0	0	1	1	0	
8	1	0	0	0	1	0	1	0	0	0	0	
9	1	0	0	1	1	0	1	1	0	1	0	

position	1 MHz								K
	H	G	F	E	D	C	B	A	
28 receive	0	1	0	1	0	1	0	0	(84)
29 receive	1	0	1	1	1	0	0	0	(184)
28 transmit	0	1	0	0	1	1	0	0	(76)
29 transmit	1	0	1	1	0	0	0	0	(176)



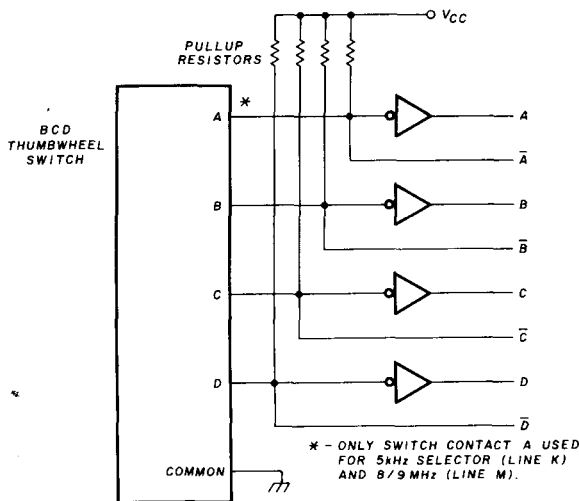


fig. 2. BCD thumbwheel switch interface.

all zeroes, but this won't work. The minimum frequency selected must start with 152 for transmit, 168 for receive; shifting up one megahertz requires adding 200 to each selector. All four-state combinations can be provided with simple gating.

The box with shaded areas in **table 1** shows the bits from each control that will be added for the final division control state. (Note that bits K and A do not add with any others and go directly to the PLL synthesizer).

If you've been paying attention to bit weights (part 5 of this series), you'll notice that values are only half of that required. Including the 5-kHz K line as the LSB will shift everything left once, multiplying by two, and achieving the correct division number.

hardware

Fig. 4 shows the adder grouping and megahertz gating to create the final binary-control state. In this case, megahertz gating is quite simple. Examining **table 1** you'll notice that bit F is the same as M (9-position), while bits C, G, and \bar{H} are the same as \bar{M} (8-position). Bit D is exclusive between M and T (high in transmit). Bit E is created by performing a NAND operation on \bar{M} and T — it will be low only at 28 transmit; high otherwise. All gates except Exclusive-ORs are NANDs.

A half adder sums C_M and S2 from U2. This scheme avoids using an extra four-bit adder. Another package savings is to use the input arrangement for U1 and neglect its carry out. No combination of U1 inputs will result in a carry out; examining all possible states from **table 1** will bear this out.

No adder is used for \bar{H}_M and U3 carry out. Keeping selector controls within band limits holds the maximum divider number to decimal 507 or binary

11111011 for 29.695 MHz receive. No combination of inputs to the adders will yield simultaneous \bar{H}_M and U3 carry, so an OR operation is performed on these two for the P8 MSB. If both were high, it would imply a carry into a tenth bit, which the 55106 cannot handle.

Gates G15 through G20 provide a low state for all frequencies within the band. Sidebands are assumed to be 5 kHz maximum. An interface circuit must disable the transmitter when G20 is high. A high occurs at either 28.000 or 29.7 MHz and higher.

G15 and its inverter performs an AND operation on the zero positions of both the 10- and 100-kHz selectors. G16 expands this action by performing an AND operation on G15 with \bar{K} and \bar{M} to complete a 28.000-MHz gate. Both could be a single 12-input NAND in TTL.

The 100-kHz selector-7 position has an AND performed on it by G17. It does not require a D bit, because BCD states have D as a don't-care for positions 4 through 7. Similarly, gating for positions 8 and 9 could ignore the B and C bits. G18 ORs G17 and \bar{D}_{100} to provide an output high at 700 kHz or higher. This outlet is ANDed with M (9 MHz) for the final high-frequency limit.

design rules

Design boils down to binary-state examination of all inputs *versus* outputs, keeping different package-function capabilities in mind. Intermediate states should be considered, as in the case of ignoring the U1 carry out. Different arrangements might be an advantage. **Table 2** provides a list of devices with equivalent functions.

As an example, four adders instead of three would eliminate G12, G13, G14, and two inverters. The single remaining Exclusive-OR, G10, could be replaced

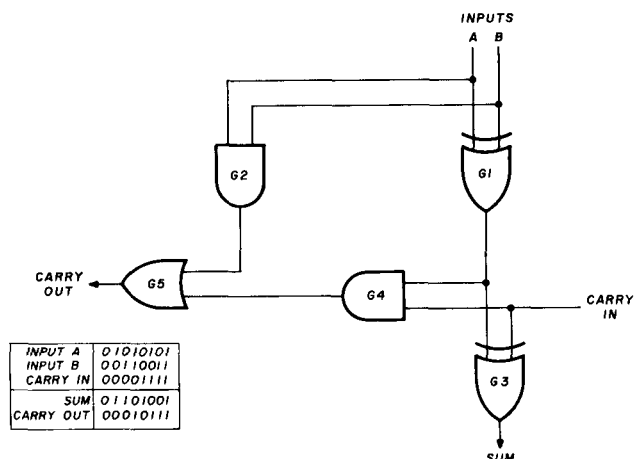


fig. 3. Full adder truth table and schematic.

table 2. Device equivalent-function part numbers.

	TTL	CMOS
hex inverter	7404	4069
quad exclusive-OR	7486	4070
quad 2-input NAND	7400	4011
triple 3-input NAND	7410	4023
dual 4-input NAND	7420	4012
8-input NAND	7430	4068
4-bit adder	7483	4008
quad 2-input NAND Schmidt trigger	74132	4093
BCD-to-decimal decoder	7442	MM74C42*

*National Semiconductor part. 4028 CMOS decoder has active-high outputs while 7442 has active-low outputs.

by two NANDs. Package count is the same, but some spares are available.

Another alternative takes advantage of the offset difference of 16 between transmit and receive. This is the fifth highest binary bit. Four adders are used with direct M and \bar{M} inputs plus an extra D bit input from \bar{T} to add the difference in receive; G10 through G14 are deleted. This case is possible only because all

binary states C through H, for 28 and 29 transmit, are opposite. Only the transmit states are used, because adding 16 creates receive states.

Certain cases may have the added control lines in a state higher than desired. Addition is still possible by using only those bits desired and the following expression in decimal numbers:

$$P + D - S = A$$

where P = maximum binary control input plus one
 D = desired number for control input
 S = control switch number
 A = offset number to be added to all others

An example has $S = 400$ with desired D to be 170 and 9 binary lines. Nine binary bits yield 511 ($2^9 - 1$), so P is 512. The offset to be added is 282 decimal, or 100011010 binary. All carries beyond the 9th bit would be ignored.

A 6- or 2-meter control needs four megahertz positions. Only switch bits A and B are needed; see table 1 for 0-3 and 4-7 positions. A BCD-to-decimal decoder with active-low outputs could be used with its C bit input as the transmit/receive line. The decoder's eight outputs could then be ORed with NANDs for the necessary states. This package was originally de-

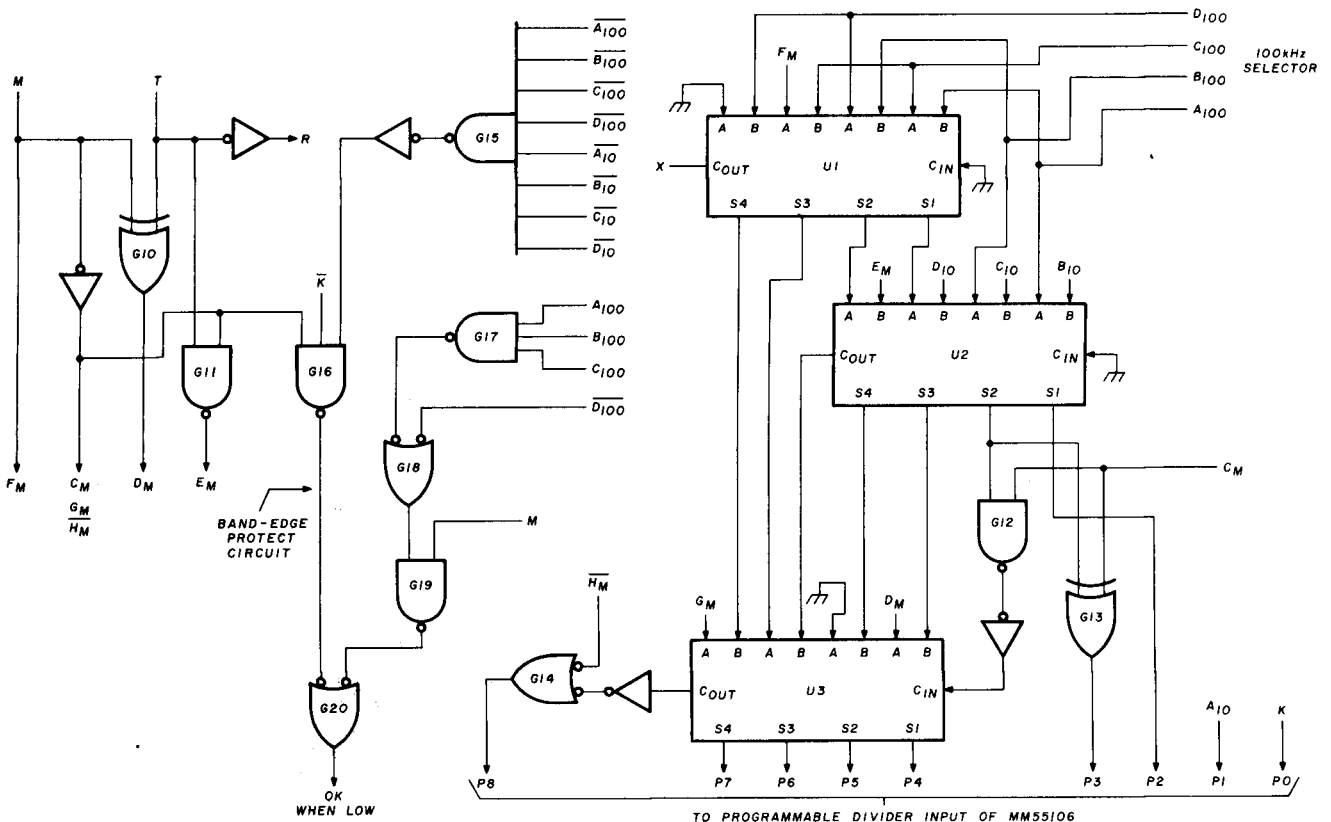


fig. 4. Translation gating and adders for MM55106.

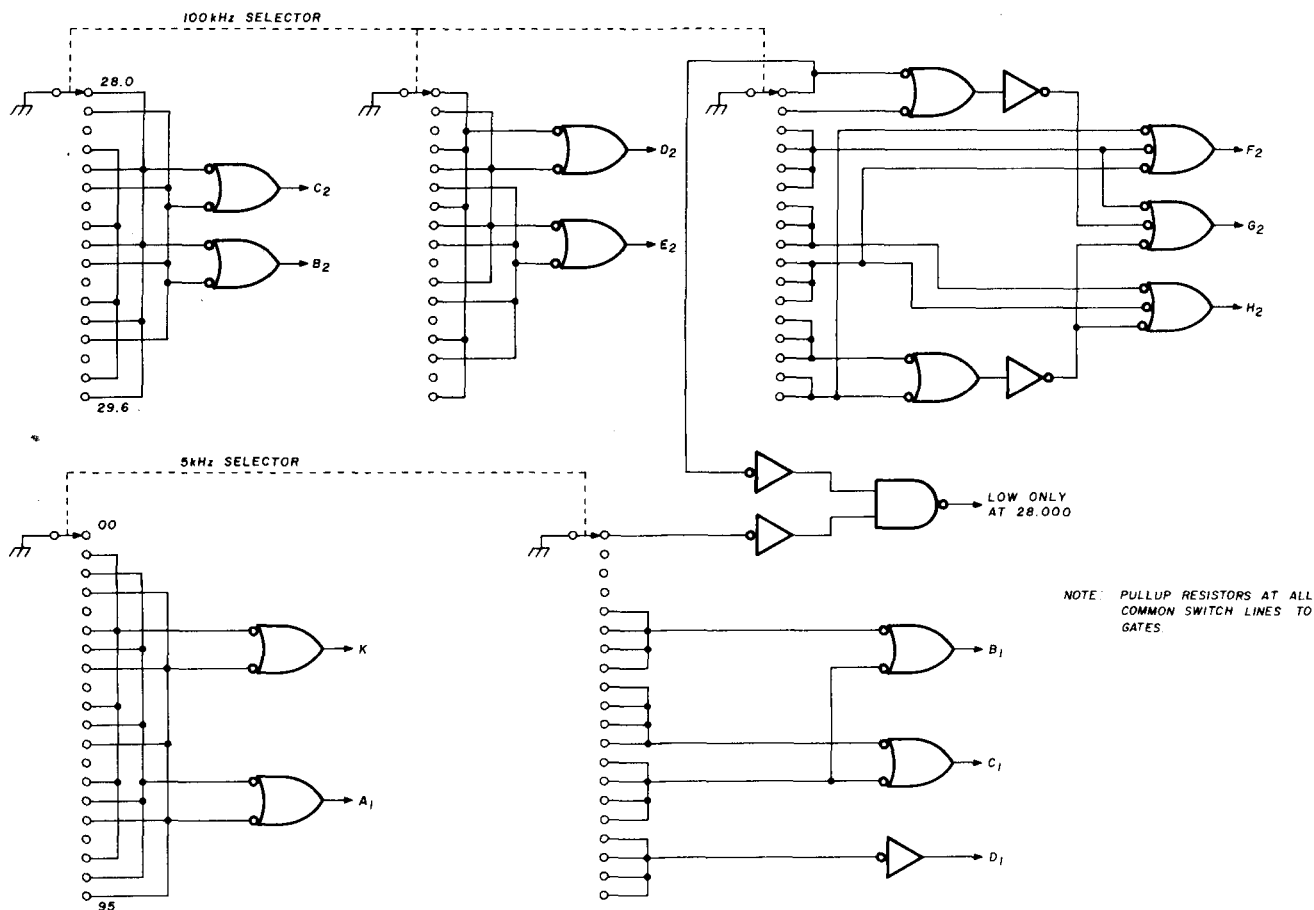


fig. 5. Dual rotary switch circuit equivalent of BCD thumbwheel selectors.

signed as a decimal indicator decoder but will work very well in this application. You might think a decimal switch would work best here. This is true for manual control, but automatic tuning from an up/down counter array needs some form of decoding.

another manual control

Two rotary switches can be used in the 10-meter rig. One can be seventeen positions for 100-kHz increments of 28.0 to 29.6 MHz, while the other can be twenty positions for 5-kHz increments. Indicator dials with adjacent edges can display a continuous number at any position.

Cam-actuated leaf or microswitches are the least troublesome. PC wafer-contact types are good but expensive. An alternative is a pair of 15-degree index rotary switches with stator contacts wired as in fig. 5.

The dual-rotary circuit uses NAND-gate ORing to produce a high from grounded inputs. Pull-up resistors are required for all gate inputs. The 5-kHz selector produces BCD states in A₁ through D₁ plus K for the LSB. The 100-kHz selector generates transmit

states of decimal 76 to 236 (152 to 472 when left-shifted) in B₂ through H₂.

ORed switch contacts feed two four-bit adders with overlap occurring only in bits B, C, and D. An E bit input would come from \bar{T} , as in the other circuit, for the difference of 16 between transmit and receive. The second adder inputs for bits F, G, and H would be grounded. Band-edge protection is needed only at 28.000 MHz, because the high band-end is automatically controlled through the detent stop.

Many different ways are available to make a complex control input. Regardless of function, all designs must consider the required output, desired input control, and various possibilities of control and package functions. Binary-state examination is not only necessary, but will also provide a good basis for troubleshooting.

references

1. CMOS DATABOOK, National Semiconductor Corporation, 1977, pages 4-22.
2. Leonard Anderson, "Digital Techniques: Basic Rules and Gates," ham radio, January, 1979, pages 76-78.

ham radio

1980

Radio Amateur Callbook



Don't be one of those who waits until the year is half over to buy a new callbook. Invest in a callbook today and get a full year's use out of your purchase. Crammed full of the latest addresses and QSL information.

You'll find:

Boldface calls, names and addresses for every licensed Amateur in the U.S.

CB-US Softbound \$16.95



The Foreign Callbook

DXing is a real joy, but it's even better when you get back **QSL** cards from the countries you've worked. The most important tool in getting those cards is to have a copy of the **1980 Foreign Callbook** on your operating table. Stations are listed by country, call, name and address in bold, easy-to-read type. CB-F Softbound \$15.95
Please include \$1.75 additional shipping for each Callbook ordered.

HAM RADIO'S BOOKSTORE

GREENVILLE, N. H. 03048

(800) 258-5353

1980
1980
HANDBOOK
See page 98 for super value
on 1980 ARRL Handbook.
1980

More Details? CHECK — OFF Page 110

Antenna Tuner



\$299.95

Here is a new tuner that puts more power into your antenna, works from 160 through 10 meters, handles full legal power and then some, and works with coax, single wire and balanced lines. And it lets you tune up without going on the air!

WE INVESTIGATED

All tuners lose some rf power. We checked several popular tuners to see where the losses are. Mostly they are in the inductance coil and the balun core.

So we switched from #12 wire for the main inductor to 1/4" copper tubing. It can carry ten times the rf current. And we've moved the balun from the output, where it almost never sees its design impedance, to the input where it always does. Thus more power to your antenna.

IMPOSSIBLE FEAT

The biggest problem with tuners is getting them tuned up. With three knobs to tune on your transceiver and three on the tuner and ten seconds to do it (see the warning in your transceiver manual) that's 1 1/2 seconds per knob.

We have a better way; a built-in 50-ohm noise bridge that lets you set the tuner controls without transmitting. And a switch that lets you tune your transmitter into a dummy load. So you can do the whole tuneup without going on the air. Saves that final; cuts QRM.

BROCHURE AVAILABLE NOW

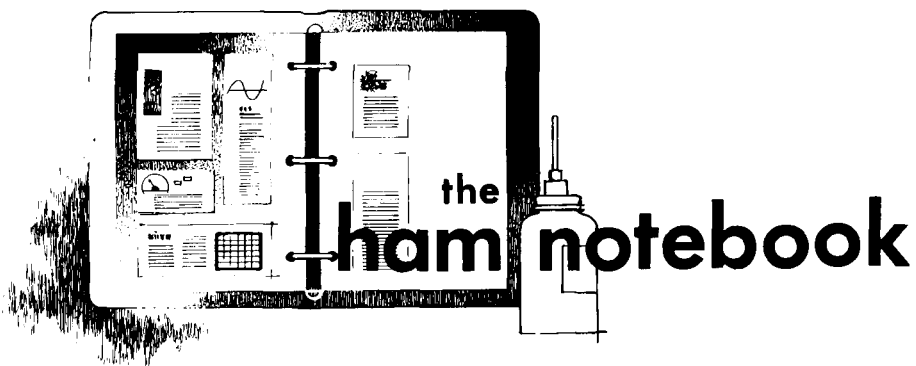
For further details on this exciting new high-power low-loss, easy-to-use tuner send for our new brochure. Or visit your Palomar Engineers dealer.

To order send \$10 shipping/handling. California residents add sales tax.



Palomar Engineers

Box 455, Escondido, CA. 92025 • Phone: [714] 747-3343



reducing interference in the TS-820/TS-820S

The TS-820 modifies the audio response when switching from SSB to CW; the CW response is peaked at about 1000 Hz. This response is often useful in SSB reception as a way of reducing interference.

The peaked response is obtained by grounding lead CWG of the audio board (pin 4 of AF1). The ground should be one of the audio grounds; MEG or pin 12 of IF4 is the one normally used.

Those with the TS-820 can use the DISPLAY HOLD switch for this purpose. For the TS-820S, the unused contact pair on this switch could be used; this would require turning on the HOLD control whenever the modified response is desired for SSB, which is probably satisfactory. Alternatively, an external switch can be used.

R. P. Haviland, W4MB

improved CW agc for the Ten-Tec Omni-D

Shortly after receiving a new Ten-Tec Omni-D transceiver, I noticed that the agc time constant remained unchanged whether operating ssb or CW.

Upon examination of the i-f agc circuit, it became apparent that adding a resistor in parallel with C22, on the i-f agc circuit board, would decrease the recovery time. A value between 100k and 1 meg will work fine de-

pending on your CW agc requirements. I used a 220k resistor.

Switching this resistor in, in the CW mode only, was accomplished by adding another wafer to the mode switch. The two wafers presently mounted on this switch are both double-pole six-position, with only four positions used. There's plenty of room on the mode switch shaft for the additional wafer, but you'll have to use 6-mm (1/4-inch) longer M3 (4-40) round-head screws to mount it. I purchased the additional wafer, which is also double-pole six-position, directly from Ten-Tec, although there may be other sources I'm not aware of.

I added the resistor from one of the stringers of the new wafer to ground on the front panel. I then soldered a piece of hookup wire between the high side of C22 on the i-f agc board and the CW position on the new wafer. Be sure to use the same switch on this wafer; there are two, unless you purchased the single-pole type.

According to Ten-Tec, this modification will not void your warranty.

Don McDougall, W6OA

salvaging water-damaged coax cable

The effectiveness of the shield braid on coaxial cables depends on the wires remaining bright and shiny so that the individual conductors remain in constant contact with each other throughout the entire feedline

length. When coaxial line becomes contaminated, through damage to the outer plastic jacket, improper sealing of line terminations — or, even worse — no sealing at all, water will enter the line and can eventually penetrate the full length through capillary attraction, the braid acting like a metal sponge.

Such contamination renders the line unserviceable for rf applications, as the moisture soon corrodes the individual braid wires, destroying the surface continuity necessary for effective shielding. Characteristic line impedance changes, as the center dielectric becomes a combination of water, plastic, and corrosion. Rf losses increase drastically.

If contamination isn't extensive, it may be possible to cut off the contaminated portion to the point where the braid is again bright and shiny. This should be followed by at least a loss test: feeding a known power through the line and measuring the power delivered at the load. The results can then be compared with published specifications for loss at a specific frequency. However, replacement of the line and careful attention to sealing should be considered. A simple line-loss test ignores many important factors.

Although no longer serviceable for rf, water-damaged coaxial line, especially heavier lines such as RG-8/U or RG-213/U, may find other applications, especially for low-voltage, high-current dc.

Military specification requirements for RG-8/U and RG-8A/U lines originally required that the center conductor be composed of seven strands of 0.03-inch (0.76-mm) bare copper. This provided a twisted conductor of 0.09-inch (2.3-mm), approximately equal to no. 12 (2.1-mm) solid copper in current-carrying characteristics. Braid specifications required 192 strands of no. 33 (0.16-mm) bare copper wire, the combined circular mill area of which is only slightly smaller than a no. 10 (2.6-mm) solid copper wire.

Paralleling the center conductor and braid produces a single conductor with a CMA of 15270 cm, larger than a no. 9 conductor and only slightly smaller than no. 8. RG-213/U cable used in this manner will have a CMA equivalent almost identical to no. 8 copper wire.

Current-carrying capability of such cable will depend on many factors (such as ventilation), but it should carry at least 60-70 amps continuously and much higher currents for shorter periods of time. This makes salvaged cable useful for heavy-current cable in mobile equipment or for use in grounding applications.

For such applications soldering will be essential but will be complicated by the corrosion. Usually the corrosion may be removed by dipping the exposed braid and center conductors in a chemical cleaner such as those for cleaning silverware and copper kitchen utensils. After dipping, wash the cleaned copper in water and it will solder easily.

Add four heavy battery clamps to short lengths of salvaged coax and you can homebrew battery jumper cables for light-duty service.

Many currently manufactured coax cables have much fewer wires in the braid, so before using salvaged coax check the braid closely. It may be necessary to derate its current-carrying capability if it doesn't provide approximately 95 per cent coverage.

Robert Wheaton, W5XW

measuring air pressure across transmitting tubes

As Bill Orr notes (June, 1979, *ham radio*) inadequate cooling of air-cooled transmitting tubes may be dangerous for their health. After long deliberation I hit upon a convenient way to measure this air pressure.

Remove the innards of a single-hole-mount BNC connector (UG-1094) and mount it at some convenient spot in the pressurized compartment. To measure air pressure, slip

the end of a short length of 9.5-mm (3/8-inch) ID clear plastic tubing over the connector. Insert the other end into a glass of water to the point where air bubbles stop. Measure the length of tube in the water: this is the air drop. When finished, close off the opening with a male BNC cap, which can be removed any time.

By the way, a convenient way to bring air to a chassis is through the flexible tubing, 64 mm (2-1/2 inches) in diameter, used on shop-type vacuum cleaners. The tubing and end fittings, suitable for mounting on plenum chambers and chassis, are available as replacement parts. *Shop-Vac* 2-1/2-inch (64-mm) diameter flexible hose in 6-foot (1.8-meter) lengths is part number 1722, and their 2-1/2-inch (64-mm) flange ferrule fittings, which are easy to mount with standard hardware, are part number 1714. A Y joint is available to direct air from one source to two chassis.

One of the surprises in measuring air pressure was that the popular muffin fan develops an insignificant amount of air flow for the 4X250B.

Guy Black, W4PSJ

modifications to the Wilson Mark II and IV

The Wilson Mark II and IV 2-meter handheld transceivers are fine units; they have excellent battery life and a very good receiver. For those with the early version, there have been some factory changes for which modification kits can be obtained from Wilson. The kits are for the HI/LOW power switch located on the bottom of the unit and a battery-condition LED that blinks as batteries get weak. Both are good features.

plug-in crystals

One drawback of these transceivers is that you must solder the crystals into the PC board. This presents problems in emergency situations and when traveling. It would be much better to open the case and quickly exchange at least a few channels.

Crystals with a six-position switch make this unit easier to use in the dark or in an emergency — compared with those that use no crystals and take forever to dial up that needed frequency. In the dark it's just plain impossible!

When investigating this quick-change in my Mark IV, I located a supply of some subminiature crystal jacks. These work very nicely. It takes longer to explain how to install them than to do the job. I installed three channels; most of the hams in the area installed all six channels.

installation

Open the unit and remove the crystals from the channels for which you wish to have plug-in capability. Enlarge the existing holes with a no. 48 1.95-mm (0.076-inch) drill. These new holes will be slightly larger than needed, but we want a margin of freedom between hole and jack. Drill from the track side of the board to be sure not to disturb the copper track from the laminate.

The best way to solder the modification jacks is to use a crystal with the jacks mounted on the pins. Insert the assembly into the enlarged holes. Solder the crystal assembly and proceed with the next assembly.

After installation some units seemed to require a little pressure when closing the case. This is because of the varying thickness of the rear case/battery compartment. In these units, I affixed a piece of white paper and a carbon to the rear case with the carbon toward the paper, so that when the case is closed the crystal jack ends will press onto the carbon and paper, marking the paper where there is contact. With the dots on the paper as a guide, use a 3-mm (1/8 inch) drill and remove a *very slight* amount of plastic from that point. Not much is required. This should allow you to reassemble the handheld. I've a supply of subminiature crystal jacks at \$0.15 each.

Don Smith, W9EPT/AAM9EPT

Hardware Engineers: MAKE THE CONNECTION

Make the connection with Digital Equipment Corporation in Tewksbury, Massachusetts, headquarters for our mid-range and distributed systems development. And get involved in our long-term program to mold the minicomputers of the '70s into the distributed systems of the '80s. Right now, we're looking for individuals who understand communications networking, RF circuits and transmission lines, as well as high-speed logic design, microprogrammed machines and the way to make hardware/software trade-offs.

Principal Engineer

In this position, you will lead the development of sophisticated interfaces for some of the world's best minicomputers. An MSEE degree, or equivalent, and a solid record of successful implementation in hardware design are essential. In addition, you should have a sound knowledge of logic design and micro-programmed machines.

Senior Engineer RF Design

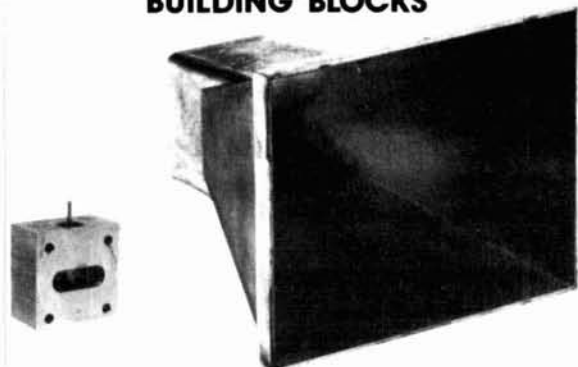
The selected individual will perform the circuit design of high-speed I/O drivers, as well as receivers, cables and connector assemblies. You will also design analog and/or critical components for various applications related to computer interconnection hardware. A BS/MSEE degree, or equivalent, along with experience in analog and high-speed digital circuit design are necessary. A solid knowledge of transmission line theory is also required.

If you are interested in, and qualified for, either of these outstanding positions, please forward your resume, complete with salary history, to Joe Hart, Digital Equipment Corporation, Dept. A0101 3838, 1925 Andover Street, Tewksbury, Massachusetts 01876. We are an equal opportunity employer m/f.

digital

SEEKING NEW CHALLENGES IN 1980?

X-BAND MICROWAVE BUILDING BLOCKS



GUNN SOURCE FREQ. = 10.5 GH. POWER OUT: 10 mw nom. BIAS = +8V DC G.S.-1 . . . \$39.90 ea.	FILTER-MIXER STOP BND: 16-24 GH. INS. LOSS = 2 DB MAX. BIAS = 25 μ a nom. VSWR: 1.5:1 MAX; F.M.-1 . . . \$33.60 ea.	HORN ANTENNA FREQ. = 8-12 GH. GAIN = 18 DB. VSWR = 1.3:1 H.A.-1 . . . \$11.90
VIDEO DETECTOR DET. BND. = 10.5 GH \pm 25mh TANG. SENS: -50 DBM MIN. BIAS = 20 μ a V.D.-1 . . . \$29.40 ea.	IMPATT SOURCE FREQ: 10.5 - 10.55 GH. PWR. OUT: 50 \pm 20 mw. BIAS = 90V nom. I.S.-1 . . . \$39.20 ea.	PAROB. ANT. FREQ.: 10 - 10.6 GH. GAINS: 34 DB SIZE = 2" dia. POLAR: E PLANE P.A.-1 . . . \$343.00

E.B.A. MICROWAVE
CS-6800 P.O. BOX A123
COSTA MESA, CA 92627

Check, Money Order, Visa or MasterCard Acceptable

ANTENNAS

THE RADIO AMATEUR ANTENNA HANDBOOK by William I. Orr, W6SAI and Stuart Cowan, W2LX

If you are pondering what new antennas to put up, we recommend you read this very popular book. It contains lots of well illustrated construction projects for vertical, long wire, and HF/VHF beam antennas. But, you'll also get information not usually found in antenna books. There is an honest judgment of antenna gain figures, information on the best and worst antenna locations and heights, a long look at the quad vs. the yagi antenna, information on baluns and how to use them, and some new information on the increasingly popular Sloper and Delta Loop antennas. The text is based on proven data plus practical, on-the-air experience. We don't expect you'll agree with everything Orr and Cowan have to say, but we are convinced that **The Radio Amateur Antenna Handbook** will make a valuable and often consulted addition to any Ham's library. 190 pages. ©1978.

RP-AH

Softbound \$6.95

SIMPLE LOW-COST WIRE ANTENNAS

Learn how to build simple, economical wire antennas. Even if you don't know a feedline from a feed-through, W6SAI will get you on the air with an effective low-cost wire antenna. And, apartment dwellers take note! Fool your landlord and your neighbors with some of the "invisible" antennas found here. For the old-timer as well as the beginner, it's a clearly written, well diagrammed, and even humorous antenna book. 192 pages. ©1972.

RP-WA

Softbound \$5.95

Two exciting antenna books from Ham Radio's Bookstore.

Call or write today.

Please add \$1.00 to cover shipping and handling.

HAM RADIO'S BOOKSTORE

GREENVILLE, N. H. 03048

CALL TOLL FREE 1 (800) 258-5353

Barry Electronics

... Your One Source For Amateur Radio Gear

FEATURING THE ALL NEW COLLINS Pro-mark™ KWM-380 TRANSCEIVER



- All Solid-State • 100 Watts Output • Built-in AC/DC
- Fully Synthesized • No Bandswitching • Frequency Memory
- Microprocessor Frequency Control • Rate Selectable Tuning
- Famous Collins Quality — Write or call NOW!

Barry is your Collins distributor in New York City

YAESU — The New FT-207R
Programmable Hand-Held
and
The Sensational FT-901
Series HF Transceivers

ROBOT — Amateur TV Gear

DENTRON — Fantastic Clipperton L.
Buy NOW —
SPECIAL PRICE!

ASTRON — 35-Watt Amplifiers
In Stock!

We have:

- ANTENNAS FOR HF & UHF
- ROTORS
- TOWERS
- REPEATERS
- MICROPHONES
- KEYS & KEYERS
- TUBES and much, more

We Also Stock . . .

AEA
ALDA
ANTENNA
SPECIALISTS
ATLAS
B & W
BIRD
COMMUNICATIONS
SPECIALISTS

COLLINS
CUSHCRAFT
DSI
DENTRON
DRAKE
EIMAC
E-Z WAY
HY-GAIN
ICOM

KDK
KLM
MFJ
MIRAGE
MOSLEY
MURCH
NEUTRONICS
ROBOT

ROHN
SHURE
STANDARD
SWAN
TEMPO
TEN-TEC
TRI-EX
VHF
ENGINEERING

JUST CALL OR
WRITE FOR THE
BARRY PRICE:
BETTER STILL . . .
STOP IN!!

¡ AQUI SE
HABLA
ESPAÑOL !



Ask about our Amateur Radio License Classes — Novice thru Extra!

The Export Experts Invite Overseas orders — We Ship Worldwide

BARRY ELECTRONICS

512 BROADWAY, NEW YORK, N.Y. 10012
TELEPHONE (212) 925-7000

"CALL FOR QUOTE"

KENWOOD TS-520SE



MADISON ELECTRONICS
SUPPLY, INC.

1508 McKinney • Houston, TX 77002
(713) 658-0268
MASTERCARD • VISA

WANTED FOR CASH



490-T Ant. Tuning Unit
(Also known as CU1658
and CU1669)

4CX150
4CX250
4CX300A
4CX350A

4CX1000
4CX1500
4CX3000
4CX5000



Other tubes and Klystrons also wanted.

4CX10,000 4-65 4-250 4-1000
5CX1500 4-125A 4-400 304TL

Highest price paid for these units. Parts purchased.
Phone Ted, W2KUW collect. We will trade for new
amateur gear. GRC106, ARC105, ARC112, ARC114,
ARC115, ARC116, and some aircraft units also
required.

DCO, INC.

10 Schuyler Avenue
Call Toll Free
800-526-1270

No. Arlington, N. J. 07032
(201) 998-4246
Evenings (201) 998-6475



QSL organizer



With today's more sophisticated rigs and less cluttered radio shacks, how do you keep QSL cards neatly organized, well preserved, dog-ear resistant, and always on beautiful display?

A specially designed Organizer is now available from Mil Industries of Panorama City, California. The QSL Organizer contains heavy duty plastic pages with roomy 10 x 15 cm (4 x 6 inch) slip-in pockets. Each page holds six QSLs (back to back), enhancing their appearance by its crystal clear clarity. The slip-in pockets allow cards to be arranged or rearranged quickly and easily.

The QSL Organizer Album is specially designed to hold the slip-in pocket pages. It's a beautiful three-ring binder, richly padded in long-lasting "Brown-Hide" vinyl, with gold-printed inscription on cover and spine. Pages are easily inserted or removed.

The clear vinyl-pocketed pages are sold by Mil Industries at 47 cents each, with a 40 page minimum. The

QSL Organizer Album is included free with every 40 pages ordered. Larger quantity prices are available on request. The QSL Organizer comes with a full, money-back guarantee.

QSL Organizers serve an important function in today's radio shack. They also make great gifts and great prizes for clubs and hamfests. They are available from Mil Industries, P.O. Box 44457, Panorama City, California 91402.

ISOPOLE antenna



Advanced Electronic Applications, Inc., has developed the ISOPOLE,* a new, vertically polarized, omni-directional, gain-type, base-station antenna which provides performance superior to that of any other low-cost antennas now in the marketplace. ISOPOLE's revolutionary double cone design results in virtual elimination of the major problem plaguing other base-driven vertical antennas, the inadvertent and unwanted coupling of rf currents onto the supporting struc-

*ISOPOLE is a registered trade mark of AEA.

ture and the shield of the feedline, seriously degrading the radiation patterns of most antennas. On-the-air tests have shown a substantial signal improvement in favor of the ISOPOLE.

The ISOPOLE's unique new design features a double-decoupled, center-driven, 1 1/4-wavelength antenna to provide the theoretical maximum obtainable gain for a dipole. All rf connections are protected from the weather. The ISOPOLE is pre-tuned at the factory so that the user can obtain an 8-MHz bandwidth by following the simple assembly instructions. The ISOPOLE is intended for installation atop the swaged end of a standard TV mast (not supplied). The ISOPOLE has a net price of \$49.95. Available for 144 and 220 MHz.

For further information, contact Advanced Electronic Applications, Inc., P.O. Box 2160, Lynnwood, Washington 08036; phone (206) 775-7373.

new RCA MRO semiconductor replacement guide

A new booklet listing most of the Semiconductor devices available for MRO (maintenance and repair operations) of industrial and electronic equipment has been announced by RCA's Distributor and Special Products Division, Deptford, New Jersey.

The identical replacement transistors, and other solid-state devices listed in the booklet are available from distributors of RCA SK series. The MRO Industrial/Commercial Replacement Semiconductor Catalog/Data Booklet (1K5817) is available from RCA SK-Series distributors, or orders can be sent to SK Series Merchandising, RCA Distributor and Special Products, P.O. Box 100, Deptford, New Jersey 08096, with check or money order for \$1.00 per copy.

Radio Shack receiver

Now available from Radio Shack is a new general-coverage communications receiver that puts the world at your fingertips by letting you listen to shortwave radio broadcasts, as well as Amateur Radio operators, CBers, aircraft weather stations, maritime broadcasts, and more.

Shortwave listening opens up a new world of entertainment for you, and it can be educational as well as entertaining. News programs from other countries provide the listener with different perspectives on world events, and it is possible to learn about the customs, culture, music, and languages of other nations through short-wave listening.

The Realistic DX-300 general-coverage communications receiver features LED (light emitting diode) digital frequency display that makes it easy to tune to a specific frequency, or return to it whenever you wish.

Quartz-synthesized circuitry provides extremely stable, virtually drift-free reception as well as highly accurate tuning. A six-band preselector with built-in six-element ceramic filter and a three-position audio-bandwidth control sharpens selectivity and reduces signal interference.

The receiver tunes from 10 kHz to 30 MHz, and can receive a-m, upper and lower sideband, and CW (code). It operates from 120 Vac, 12 Vdc, or from eight self-contained "C" cells. A dial light/battery switch reduces battery drain during portable operation, and also indicates battery condition on the Signal-Strength/Battery meter.

Other features include a three-step rf attenuator to prevent overloading, rf gain control, built-in speaker, headphone jack, and a key jack for the built-in code practice oscillator. The heavy-duty cabinet has a recessed carrying handle.

The Realistic DX-300 general coverage communications receiver is priced at \$379.95. It's available from participating Radio Shack stores and dealers nationwide.

THERE IS A DIFFERENCE IN QUARTZ CRYSTALS

For more than a quarter century, International Crystal Mfg. Co., Inc. has earned a reputation for design and capability in manufacturing and marketing precision electronic products.

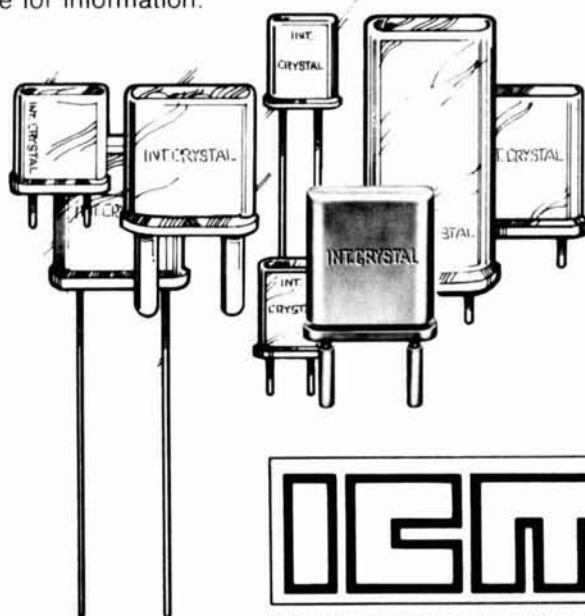
The market for International crystals is worldwide. With a full range of types and frequencies available, International is a major supplier to the commercial and industrial crystal market.

International's leadership in crystal design and production is synonymous with quality quartz crystals from 70 KHz to 160 MHz. Accurately controlled calibration and a long list of tests are made on the finished crystal prior to shipment.

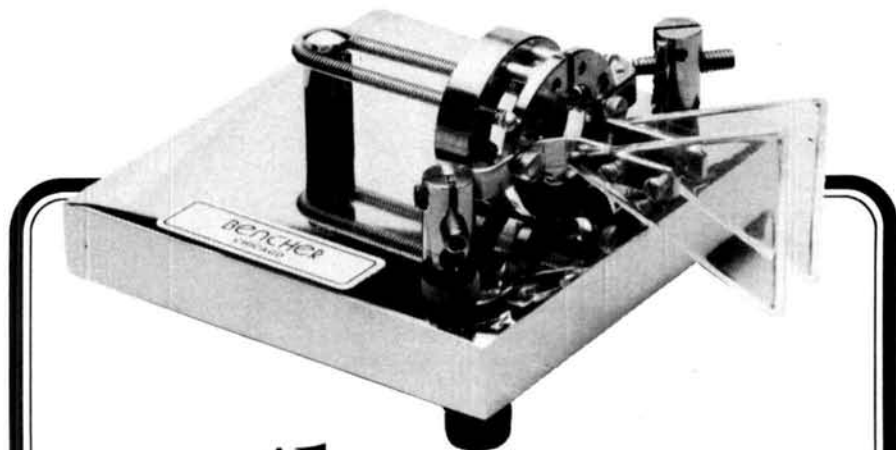
That is why we guarantee International crystals against defects, material and workmanship for an unlimited time when used in equipment for which they were specifically made.

Orders may be placed by Phone: 405/236-3741 • TELEX: 747-147 • CABLE: Incrystal • TWX: 910-831-3177 • Mail: International Crystal Mfg. Co., Inc., 10 North Lee, Oklahoma City, Oklahoma 73102.

Write for information.



INTERNATIONAL CRYSTAL MFG. CO., INC.
10 North Lee, Oklahoma City, Oklahoma 73102



the Ultimate IAMBIC PADDLE

WRITE FOR LITERATURE

BENCHER, INC.

333 W. Lake Street, Dept. A
Chicago, Illinois 60606 • (312) 263-1808

- Full range of adjustment in tension and contact spacing.
- Self-adjusting nylon and steel needle bearings.
- Solid silver contact points.
- Polished lucite paddles.
- Precision-machined, chrome plated brass frames.
- Standard model has black, textured finish base; deluxe model is chrome plated.
- Heavy steel base; non-skid feet.

Available at selected dealers or send \$39.95 (\$49.95 for chrome model) plus \$2.00 shipping and handling. Overseas amateurs invited to request quotation for air parcel post shipment.

transceiver protector

Expensive transceivers are prone to damage by unsafe input voltages when the line-operated power-supply regulator fails. "Crowbar" by K2OM is designed to sense the harmful over-voltage and short circuit the dc power-input lines to ground.

When used to protect a transceiver at 13.8 volts, Crowbar will trip and short circuit at a preset level of 15.5 volts, blowing the line fuse.

Trip levels can be adjusted from 6 to 30 volts by a control provided on the printed-circuit-board assembly. Two flexible color-coded connection wires tie into the user's equipment. Mounting hardware is supplied. An assembly and installation booklet comes with the unit.

Manufactured by Daltec Systems Incorporated, "Crowbar" is available from stock, assembled and tested (Model CA630A), for \$15.00. Dealers contact Unadilla/Reyco Div. of Microwave Filter Co., 6743 Kinne St., E. Syracuse, New York 13057. Individuals write Daltec Systems, Inc., P.O. Box 157R, Onandaga Branch, Syracuse, New York 13215.

new MFJ catalog

The new MFJ Amateur Radio Catalog for 1980 is available free from MFJ Enterprises, Inc., the nation's leading manufacturer of Amateur Radio accessories.

The products included are antenna tuners (from 200 watts to 3 kW); SSB and CW filters (from \$29.95 to \$79.95); memory keyers (3 models, \$79.95 to \$139.95); electronic keyers (from \$39.95 to \$69.95); speech processors, rf noise bridge, frequency standard, code practice oscillator, and QRP transmitter.

This new catalog has 12 pages of photographs, descriptions, specifications, and prices of Amateur Radio accessories manufactured by MFJ Enterprises, Inc.

The catalog is free, and available by writing to MFJ Enterprises, Inc., P.O. Box 494, Mississippi State, Mississippi 39762.

Repeater Jammers Running You Ragged?

Here's a portable direction finder that REALLY works—on AM, FM, pulsed signals and random noise! Unique left-right DF allows you to take accurate (up to 2°) and fast bearings, even on short bursts. Its 3dB antenna gain and .06µV typical DF sensitivity allow this crystal-controlled unit to hear and positively track a weak signal at very long ranges—while the built-in RF gain control with 120 dB range permits positive DF to within a few feet of the transmitter. It has no 180° ambiguity and the antenna can be rotated for horizontal polarization.



The DF is battery-powered, can be used with accessory antennas, and is 12/24V for use in vehicles or aircraft. It is available in the 140-150 MHz VHF band and/or 220-230 MHz UHF band. This DF has been successful in locating malicious interference sources, as well as hidden transmitters in "T-hunts", ELTs, and noise sources in RFI situations.

Price for the single band unit is \$195, for the VHF/UHF dual band unit is \$235, plus crystals. Write or call for information and free brochure.

W6GUX

L-TRONICS
5546 Cathedral Oaks Road
(Attention Ham Dept.)
Santa Barbara, CA 93111

WD6ESW

CALL TOLL FREE

For the best deal on

- AEA ● Ameco ● Apple ● ASP
- Belden ● Bencher ● Bird
- CDE ● CES ● Cushcraft
- Daiwa ● DenTron ● Drake
- Hy-Gain ● Icom ● KLM
- Kenwood ● Larsen ● MFJ
- Midland ● Mosley ● NPC
- Newtronics ● Nye ● Palomar
- Regency ● Shure ● Swan
- Standard ● Tempo ● Ten-Tec
- Tonna ● Transcom ● Wilson
- Yaesu

NEW for 1980!

Apple Computers..

get Erickson's price!

RTTY interface available

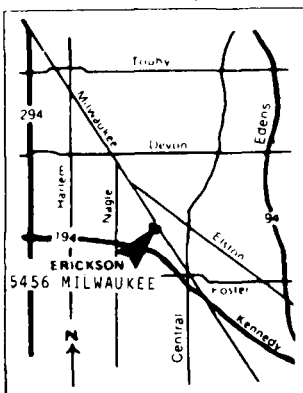
Larsen Mag Mounts...

CLOSEOUT! 20 % off on

any Larsen mag mount antenna in stock!

SUPER SPECIAL...

A few sets of Kenwood
Twins...while they last.\$799!



CALL TOLL FREE
(outside Illinois only)

(800) 621-5802



Hours:

9:30-5:30 Mon., Tues., Wed. & Fri.

9:30-9:00 Thursday

9:00-3:00 Saturday



ERICKSON

COMMUNICATIONS, INC

5456 N. MILWAUKEE AVE

CHICAGO, IL 60630 (312) 631-5181

Now, upgrade faster!

Here's 21 easy ways.

Satisfaction guaranteed or return in 10 days for full refund!

THEORY

Interview-style discussion of the Novice-class theory for beginners.

A two-tape set covering General theory with WØXI (set \$8.95).

New! Advanced theory covered in interviews with KØRW, an Extra-class.

New! Now study for your Extra exam with help from KØRW.

- Novice
- General
- Advanced
- Extra

Novice

An H. W. Sams book written in easy-to-understand style for beginners. \$3.95

General

Just published! Get the latest information for your FCC exam. \$6.50

BOOKS

MORSE CODE CASSETTES

Computer-generated to Morse specs in 7½, 10, 15 or 20 WPM (specify).

Simulated on-the-air contacts with simulated exams - 7½, 10, 13, 15 WPM.

Another hour of simulated contacts to bring you from 7½ WPM to 15 WPM with exam.

An hour of QSO-style contacts at 13 WPM with simulated exam for self-testing.

High-speed on-the-air contacts at 20, 23 and 26 WPM for Extra-class with simulated exam.

Another hour QXX, high-speed, contacts at 20, 23 and 26 WPM.

This super tape instructs "enhanced" code with wider spaces designed for beginners.

On-the-air-style copy generated to "enhanced" specifications with spacing for 7½ to 15 WPM.

Q-signals, short words and prosigns generated at 22, 33 and 40 WPM for recognition copy.

Randomly-generated characters, numbers and punctuation at 7½ to 10 WPM.

Random characters, numbers and punctuation at 13 and 15 WPM - no memorizing!

- Morse ^{WPM} _____
- QSO
- QSO 2
- QSO 13
- QXX
- QXX 2
- Super 5
- Super QSO
- Q-signals
- Random I
- Random II

Novice

Novice Combo includes manual and Super 5, QSO and Novice Theory tapes - \$14.95

General

General Combo includes manual, QSO-2 tape and 2-tape General Theory - \$19.95

Success

Success Kit includes oscillator, key, your choice of manual and two tapes - \$29.95

Speed

Speed Kit includes oscillator, key and your choice of Kantronics tape - \$20.95

COURSES

Yes, I want to upgrade faster!

Name _____

Address _____

City _____ State _____ Zip _____

Master Charge Visa Check

Card no. _____

Signature _____ Expiration date _____

Please include \$1 shipping/handling for each tape and \$2 for combination orders.

ORDERS

tapes

\$4.95 each

Kantronics

1202 E. 23rd Street (913) 842-7745
Lawrence, Kansas 66044



Christmas in January at DSI!

We are repeating our outstanding Christmas offer because many of Santa's helpers didn't know the right DSI product to send. Now you can use that check or money order you received for that special present.

My choices for Christmas in January are: (check one or more)

- | | |
|---|---|
| <input type="checkbox"/> Model 500HH (wired) ... \$149.95 | <input type="checkbox"/> Model 5500 (wired) \$ 99.95 |
| <input type="checkbox"/> Model 100HH (wired) ... \$149.95 | <input type="checkbox"/> Model LC 5000 \$149.95* |
| <input type="checkbox"/> Model 5600A-W (wired) .. \$179.95 | <input type="checkbox"/> 5600A-K (kit) \$149.95 |

• **These items are stocked for Immediate delivery** •

See your dealers or call our toll free number.

DSI INSTRUMENTS, INC. • 9550 Chesapeake Drive • San Diego, Ca. 92123 • (714) 565-8402

Call toll free
(800) 854-2049



California residents call toll free
(800) 542-6253

TERMS: MC VISA AE Check MO COD in US Funds. Please add 10% to a maximum of \$10.00 for shipping, handling and insurance. Orders outside of USA & Canada, please add \$20.00 additional to cover air shipment. California residents add 6% Sales Tax.

*Available end of January.

HA-2 HORIZONTAL/VERTICAL 2 METER ANTENNA

The HA-2 is a low profile half wave, horizontally polarized omnidirectional 2 meter antenna. Although the HA-2 was designed for mobile operation, it will work well as a fixed or portable antenna and its small size provides the traveling ham with an antenna that can easily be packed in a briefcase.

The HA-2 comes complete with RG/58, which is fed through the center of the mast section, PL-259 RF connector and 3/8" 24 stud base. A rain gutter mount is recommended for mobile operation.

tion, which is an option. To provide more versatility for the HA-2, a vertical change over option mount has been designed allowing vertical or horizontal polarization, complete change can be made in minutes requiring only a screw driver.

Specifications

Gain	1.92 dBi
VSWR	1.5:1
Bandwidth	4 MHz
Impedance	50 Ohms
Power	150 watts dc input
Element Size	10 inches square
Mast Length	2.0 feet
Base	3/8" x 24

HA-2 Antenna \$39.95 postage paid

Pat. Pending #88548
F.C.C. - Certified

Send check or money order to:
SEM CON Inc., Box 2751,
Palos Verdes, CA 90274

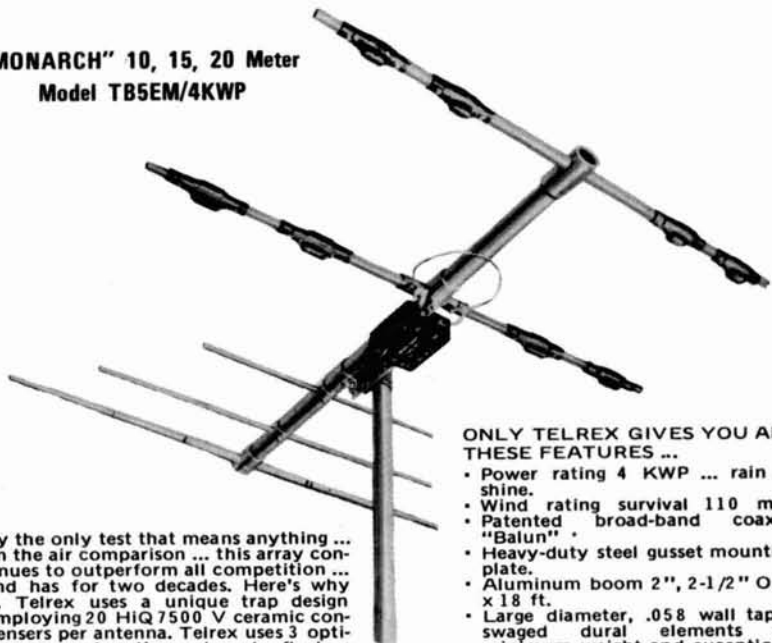
*Vertical change over mount \$5.95.

STEP UP TO TELREX

Professionally Engineered Antenna Systems

Single transmission line "TRI-BAND" ARRAY

"MONARCH" 10, 15, 20 Meter
Model TB5EM/4KWP

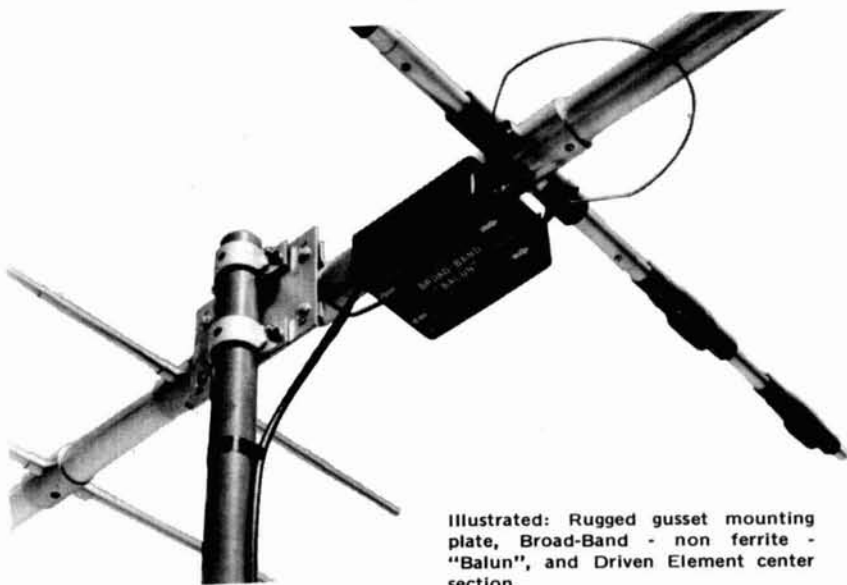


ONLY TELREX GIVES YOU ALL THESE FEATURES ...

- Power rating 4 KWP ... rain or shine.
- Wind rating survival 110 mph
- Patented broad-band coaxial "Balun"
- Heavy-duty steel gusset mounting plate.
- Aluminum boom 2", 2-1/2" O.D. x 18 ft.
- Large diameter, .058 wall tapered dural elements for minimum weight and exceptional strength to weight ratio.
- Stainless steel electrical hardware.

By the only test that means anything ... on the air comparison ... this array continues to outperform all competition ... and has for two decades. Here's why ... Telrex uses a unique trap design employing 20 HiQ 7500 V ceramic condensers per antenna. Telrex uses 3 optimum-spaced, optimum-tuned reflectors to provide maximum gain and true F/B Tri-Band performance.

At 50 ft. or more (above ground) a rugged Telrex "Tri-Band" is the only answer to longevity ... a true money saver.



Illustrated: Rugged gusset mounting plate, Broad-Band - non ferrite - "Balun", and Driven Element center section.

For technical data and prices on complete Telrex line, write for Catalog PL-7.

TV and Communications Antennas Since 1921

telrex LABORATORIES

P.O. Box 879 - Asbury Park, New Jersey 07712

Phone 201-775-7252



NEW CATALOG OF
HARD-TO-FIND
PRECISION TOOLS

FREE

Lists more than 2000 items: pliers, tweezers, wire strippers, vacuum systems, relay tools, optical equipment, tool kits and cases. Send for your free copy today!

JENSEN TOOLS INC.

1230 S. PRIEST DR. - TEMPE, AZ 85281

K5YY and OH2BH
are coming to the
International DX Convention
at the
Fresno, California Holiday Inn
on April 19 and 20, 1980.
Are You?

Telemetry Communications & Instrumentation, Corp.



Our all-new TVRO Satellite Receiver. Look for our ad in February. For FREE information & data sheet, call or write

TCI Corp. 411 N. Buchanan Circle #3
Pacheco, CA 94553
(415) 676-6102

TELL YOUR FRIENDS
about
**ham
radio**

ALL BAND TRAP ANTENNAS!



PRE-TUNED - COMPLETELY ASSEMBLED - ONLY ONE NEAT SMALL ANTENNA FOR UP TO 6 BANDS! EXCELLENT FOR CONGESTED HOUSING AREAS - APARTMENTS LIGHT - STRONG - ALMOST INVISIBLE!

FOR ALL MAKES & MODELS OF AMATEUR TRANSCEIVERS - TRANSMITTERS - GUARANTEED FOR 2000 WATTS SSB 1000 WATTS CW. INPUT FOR NOVICE AND ALL CLASS AMATEURS!

COMPLETE AS SHOWN with 90 ft. RG58U-52 ohm feedline, and PL259 connector, insulators, 30 ft. 300 lb. test dacron end supports, center connector with built in lightning arrester and static discharge - molded, sealed, weatherproof, resonant traps 1"X6"- you just switch to band desired for excellent worldwide operation - transmitting and receiving! WT. LESS THAN 5 LBS.

160-80-40-20-15-10 bands 2 trap---209 ft. with 90 ft. RG58U - connector - Model 777BU ... \$64.95
 80-40-20-15-10 bands 2 trap --- 102 ft. with 90 ft. RG58U - connector - Model 998BU ... \$59.95
 40-20-15-10 bands 2 trap --- 54 ft. with 90 ft. RG58U coax - connector - Model 1001BU ... \$58.95
 20-15-10 bands 2 trap --- 26 ft. with 90 ft. RG58U coax - connector - Model 1007BU ... \$57.95

SEND FULL PRICE FOR POST PAID INSURED DEL. IN USA. (Canada is \$5.00 extra for postage - clerical - customs - etc.) or order using VISA Bank Americard - MASTER CHARGE - AMER. EXPRESS. Give number and ex. date. Ph 1-308-236-5333 9AM - 6PM week days. We ship in 2-3 days. ALL PRICES WILL INCREASE MAR 1-SAVE - ORDER NOW! All antennas guaranteed for 1 year. 10 day Money back trial! Made in USA. FREE INFO. AVAILABLE ONLY FROM.

WESTERN ELECTRONICS Dept. AR-1 Kearney, Nebraska, 68847

KLAUS QUALITY AMATEUR RADIO EQUIPMENT & ACCESSORIES

KENWOOD



TS 520 S
HF TRANSCEIVER

TS 600
MULTIMODE 6-M
TRANSCEIVER

TS 820 S
HF TRANSCEIVER

... call or write for the KLAUS price ...

YAESU

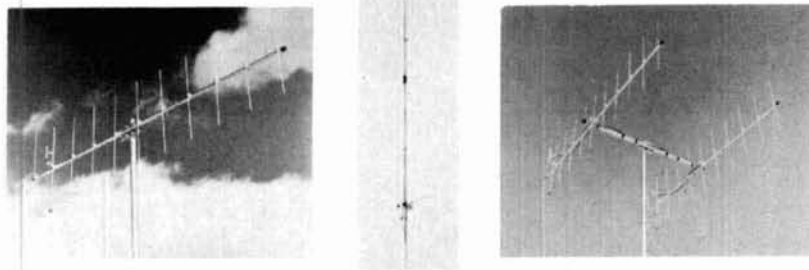


FT-901 D
HF TRANSCEIVER

FT-227 R
2-METER FM TRANSCEIVER

... call or write for the KLAUS price ...

CUSHCRAFT



We have a complete stock of Cushcraft antennas — too many to mention in detail, so ask about our 2-meter line of verticals and beams for special low, low prices.

KLAUS RADIO Inc.

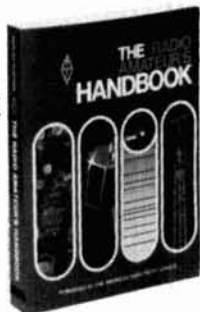
8400 N. Pioneer Parkway, Peoria, IL 61614

Phone 309-691-4840

Tim Daily, Amateur Equipment Sales Manager

1980 HANDBOOK

BRAND NEW! STEP INTO THE 80'S WITH THE LATEST HANDBOOK FROM THE EDITORS AT ARRL



NEW FOR 1980

Full of exciting new features for the 80's, NOW is the time to order your copy of the 1980 ARRL "RADIO AMATEUR'S HANDBOOK." Internationally recognized and universally consulted, every Amateur should have the latest edition. The new HANDBOOK covers virtually all of the state-of-the-art developments in electronics theory and design. Novices will find it to be an indispensable study guide, while the more advanced Amateur will enjoy building the many new projects.

- Order AR-HB80 Softbound \$10.00
- Order AR-BB80 Hardbound \$15.75

HAM RADIO'S BOOKSTORE
GREENVILLE, N. H.

(800) 258-5353

1980
1980
CALLBOOKS
See page 87 for super value
on 1980 Callbooks.
1980

flea market

RATES Non-commercial ads 10¢ per word; commercial ads 60¢ per word both payable in advance. No cash discounts or agency commissions allowed.

HAMFESTS Sponsored by non-profit organizations receive one free Flea Market ad (subject to our editing). Repeat insertions of hamfest ads pay the non-commercial rate.

COPY No special layout or arrangements available. Material should be typewritten or clearly printed (not all capitals) and must include full name and address. We reserve the right to reject unsuitable copy. **Ham Radio** cannot check each advertiser and thus cannot be held responsible for claims made. Liability for correctness of material limited to corrected ad in next available issue.

DEADLINE 15th of second preceding month.

SEND MATERIAL TO: Flea Market, Ham Radio, Greenville, N.H. 03048.

KDK 2015R OWNERS. Use memory for any oddball splits. Shows Transmit/Receive frequencies. Simple, 15 minutes. No holes drilled, no boards lifted. SASE. Details free. WA2HQD. 105-18 131. Richmond Hill, NY 11419. (212) 641-2559.

FOR SALE: Tempo-one, Viking 6N2, Seneca, CMU-15, 432 and 2 meter converters, 432, 10, and 2 meter preamps, 432 and 2 meter beams, 2-antenna rotators w/control boxes, HM-102 Wattmeter. All power supplies included. \$650 complete. Pick-up only. Dave Kushman, 16010 Webster Road, Middleburg Heights, Ohio 44130.

VERY in-ter-est-ing! Next 3 issues \$1. "The Ham Trader", Wheaton, IL 60187.

ELECTRONIC BARGAINS, CLOSEOUTS, SURPLUS! Parts, equipment, stereo, industrial, educational. Amazing values! Fascinating items unavailable in stores or catalogs anywhere. Unusual FREE catalog. ETCO-012, Box 762, Plattsburgh, NY 12901. SURPLUS WANTED!

MOBILE IGNITION SHIELDING provides more range with no noise. Available most engines. Many other suppression accessories. Literature, Estes Engineering, 930 Marine Dr., Port Angeles, WA 98362.

Foreign Subscription Agents for Ham Radio Magazine

Ham Radio Austria
F. Baettl
Hauptplatz 5
A-2700 Wiener Neustadt
Austria

Ham Radio Belgium
Sterehouse
Grusselsteenweg 416
B-9218 Gent
Belgium

Ham Radio Canada
Box 400, Goderich
Ontario, Canada N7A 4C7

Ham Radio Europe
Box 444
S-194 04 Upplands Vasby
Sweden

Ham Radio France
SM Electronic
20 bis, Ave des Clarions
F-99000 Auxerre
France

Ham Radio Germany
Karin Ueber
Postfach 2454
D-7850 Loerrach
West Germany

Ham Radio Holland
MRL Electronics
Postbus 88
NL-2204 Delt
Holland

Ham Radio Italy
G. Vulpetti
P.O. Box 37
I-22083 Cantu
Italy

Ham Radio Switzerland
Karin Ueber
Postfach 2454
D-7850 Loerrach
West Germany

Ham Radio UK
P.O. Box 83, Harrow
Middlesex HA3 6HS
England

Holland Radio
143 Greenway
Greenide, Johannesburg
Republic of South Africa

ICOM 701 INTERNATIONAL USER'S CLUB. Details s.a.s.e. Pohorence, 9600 Kickapoo Pass, Streetsboro, Ohio 44240.

MOBILE HF ANTENNA. 3.5-30 MHz inclusive, 750 watts PEP, center loaded coil, tuned from the base, eliminating coil changing or removing from mount. Less than 1.5 to 1 VSWR on all ham bands. \$119.95 each — contact your local dealer or order from Anteck, Inc., Box 415, Route 1, Hansen, ID 83334. (208) 423-4100. Master Charge and VISA cards accepted. Dealer inquiries invited.

WILSON MARK II H-T with TT pad, wall and mobile chargers, remote speaker/microphone \$215. IC-202 2M SSB/CW \$150. TPL 401B 220-MHz amplifier, 1W in, 40W out \$100. Ten-Tec 240 160M converter \$75. All mint with manuals. W3JF (215) 672-5925.

BUY-SELL-TRADE. Send \$1.00 for catalog. Give name address and call letters. Complete stock of major brands new and reconditioned amateur radio equipment. Call for best deals. We buy Collins, Drake, Swan, etc. Associated Radio, 8012 Conser, Overland Park, KS 66204. (913) 381-5900.

WANTED: G.E. 450 Master Receiver 4ER42. Sell G.E. 30-50 Mobile Receiver \$10. K6KZT, 2255 Alexander, Los Osos, CA 93402.

QSLs — \$2.70 per hundred (minimum order, 1000) and up. 32 two-color designs. Send 30¢/stamps for catalog. Satisfaction guaranteed or money back. Since 1934. VP5QED Press, Box 1523, Boca Raton, FL 33432.

RTTY CLOSEOUT — Complete kits only. NS-1A demodulator \$15.00. NS-BP bandpass filter \$9.00. Postpaid. SASE for info. Nat Stinnette Electronics, Tavares, FL 32778.

STAR-TRONICS monthly picture flyer is full of parts and pieces for the builder. U.S. only. Star-Tronics, Box 683, McMinnville, OR 97128.

TRS-80 INTERFACING, Active Filters, 8080/8085 Programming, Digital Electronics, and many exciting new titles in the self-study Blacksburg Series. Free info. Group Technology, Box 87K, Check, VA 24072.

8 TO 12 GHz GaAs FET AMPLIFIER. Narda N6205S-6. Small signal gain: 25 dB. Noise figure: 7.5 dB. Power output: +10 dBm. Excellent lab unit. SMC connectors. 15 V dc. Harold Winard, KB2M, 30 W. Union Tpk. B-8, Wharton, NJ 07885. (201) 361-6478.

RECONDITIONED TEST EQUIPMENT for sale. Catalog \$50. Walter, 2697 Nickel, San Pablo, CA 94806.

ONLY MY FRIEND'S recent physical disability makes this top-grade equipment available; purchased new, still in as-new condition, complete with manuals/cables. Bill had literally a store full of items, \$10 to \$100 range; too costly to advertise the list, so tell me what you need. I want to move them now. Anyone having a difficult time learning code and operating CW? These like-new visual decoders and electronic typewriter keyboard: Pickering 230-D Morse Decoder, \$1500; Pickering KB-1 Electronic Keyboard keyer, \$140; Atronics CR-101 Code Reader, \$65; manuals/instructions. Collins: 51S1F, \$2050; 55G1, \$325; 30L1, \$995; 32S3A/516F2, \$1775; 312B4, \$425; all Round Emblem, immaculate w/manuals. Two Hy-Gain HT-18, 10-80 meter vertical antennas, \$195 each (phasing harness available); Two Murch Ultimate Transmatch UT-2000A, \$125 each; DenTron 3000A antenna tuner, \$230; KLM Multi-2700 144 MHz transceiver, \$575; KLM PA 10-140BL linear amplifier, \$175; Vista 120v.a.c./13.8v.d.c. power supply for above, \$136; excellent condition w/manuals. Ralph E. Thomas, W2UK, 9 Emmons Avenue, Farmingdale, N.Y. 07727; telephone (201) 938-5623.

AFC — STOP VFO DRIFT. See June '79 HR. Complete unit \$49.95 + shipping. Read Easton, K6EHV, 3691 Gay Way, Riverside, CA 92504.

WANTED: A Heathkit HW-20-2-meter AM transceiver (the "Pawnee") in working condition. Al Gordon, 1726 Spreckels Lane, Redondo Beach, CA 90278.

QSL CARDS 500/\$10. 400 illustrations, sample. Bowman Printing, Dept. HR, 743 Harvard, St. Louis, MO 63130.

SATELLITE TELEVISION — movies, sports, etc. Build or buy your own earth station. Send \$3.00 for information. Satellite Television, Box 140, RD #3, Oxford, NY 13830.

HAM RADIO REPAIR, alignment. Prompt, expert, reasonable. "Grid" Gridley, W4GJO, Route 2, Box 138B, Rising Fawn, GA 30738.

WANTED: Motorola KXN1024A channel elements. WB0KKS, Dave Borchard, 4362 Thomas Ave. N., Minneapolis, MN 55412. (612) 521-0388 evenings.

RTTY AFSK Modulator PC board. See Feb. 79 Ham Radio. Drilled \$5.00 F. E. Hinkle, 12412 Mossy Bark, Austin, TX 78750.

 <p>COAX RELAY 12 VDC SPOT 450 MHZ+ 100 WATTS 2 MALE RCA PLUG TO SO239.PLUS SPST 20A CONTACT. \$6.95</p>	 <p>HIGH VOLTAGE SUPPLY 15KVDC @ 30 WATTS INPUT 115AC 60HZ \$9.95</p>
 <p>POWER SUPPLY MODULE RATED AT 12V @ 2.5A. CAN BE MODIFIED BY CHANGING THE ZENER. PARTS: 4-3A DIODES, 1-2.5A FUSE, 1-2200MF @ 35V CAP., 1-12V ZENER, 1-PASS TRANS. WITH HEAT SINK. \$4.95</p>	 <p>ANTENNAS ANS PT5 BNC STRAIGHT ANS PT90 BNC 90° ELBOW ANS PTBAJ BNC ADJ. ELBOW ALL ANTENNAS ARE FOR TWO METERS. \$7.95</p>
<p>MPF-131 N-CHANNEL DUAL GATE MOS FIELD-EFFECT TRANSISTOR USED IN VHF AMPLIFIER & MIXER. GOOD FOR RF AMP. AT 60 & 200MHZ HAS DIODE PROTECTED GATES. COMES WITH DATA SHEET. UNITS ARE HOUSE MARKED. MPF-131..... 50¢</p>	 <p>Touch-Tone Rousing. BLACK only....\$3.50</p>
<p>1.0HM 5WATT RESISTORS 5 FOR \$1.00 50 OHM 100WATT \$2.50 EA.</p>	<p>5V. DIP RELAY SP ST N.O. \$1.50</p>
<p>MJE2955 \$1.</p>	<p>MJ3000 \$2.25</p>
<p>CONNECTORS</p> <ul style="list-style-type: none"> BNC M/UHF-F UG-255U \$3.00 BNC F/UHF-M UG-2730 \$2.50 BNC F/BNC-F UG-914U \$2.00 UHF F/UHF-F PL-258 \$1.50 'N' F/BNC-M UG-349U \$3.75 'N' M/UHF-F UG-146U \$4.75 'N' F/UHF-M UG-83BU \$4.75 RGB Adapter UG-175 \$ 2.25 BNC M-CABLE UG-88 \$1.35 BNC F-PANEL UG-1094 \$1.00 " N " M CABLE UG-21B \$2.95 " N " F PANEL UG-58 \$2.25 	<p>2N5589 CASE MT-72 \$2.95</p> <p>2N5590 CASE TO-117 \$4.95</p> <p>LED JUMBOS 100 FOR \$1.00 100 FOR \$7.95</p> <p>FANS 100 CFM 115VAC 60HZ 4.5"x1.5" USED \$6.95 GUARANTEED NEW \$12.95</p>
<p>SO-239 65¢ PL-259 65¢ 10/\$6.00 MIX & MATCH</p>	<p>VARIABLE POWER SUPPLY KIT PS1 5-12VDC @ 500MA PS2 12-28VDC @ 250MA ALL PARTS INCLUDED \$6.95</p>
<p>2200UF 15VDC 25¢</p>	<p>COMPUTER GRADE CAPACITORS. 10,000UF @ 50V \$2.95 23,200UF @ 50V 3.50 28,500UF @ 30V 3.00 39,000UF @ 45V 3.50 60,000UF @ 10V 1.00</p>
<p>M P J</p>	<p>Marlin P. Jones & Assoc. P.O. Box 12685 Lake Park, FL 33403 (305) 848-8236</p> <p>*Fla. residents add 4% sales tax. *MC & VISA accepted, please include expiration date and signature as on card. *Add \$1.00 for order under \$10.00. *Canada & Foreign orders please add sufficient postage. **USA orders please add 5% postage.</p>

When it comes to AMATEUR RADIO QSL's...



it's the
ONLY BOOK!
US or DX Listings

1980 callbooks NOW READY!

Here they are! The latest editions. World-famous Radio Amateur Callbooks, the most respected and complete listing of radio amateurs. Lists calls, license classes, address information. Loaded with special features such as call changes, prefixes of the world, standard time charts, world-wide QSL bureaus and more. The new 1980 Radio Amateur Callbooks are available now. The U.S. Edition features over 400,000 listings, over 120,000 changes from last year. The Foreign Edition, over 315,000 listings, over 90,000 call changes. Place your order now.

	Each	Shipping	Total
<input type="checkbox"/> US Callbook	\$16.95	\$1.75	\$18.70
<input type="checkbox"/> Foreign Callbook	\$15.95	\$1.75	\$17.70

Order both books at the same time for \$34.65, includes shipping.

Order from your favorite electronics dealer or direct from the publisher. All direct orders add \$1.75 for shipping. Illinois residents add 5% Sales Tax.



SPECIAL LIMITED OFFER!
Amateur Radio
Emblem Patch
only \$2.50 postpaid

Pegasus on blue field, red lettering. 3" wide x 3" high. Great on jackets and caps. Sorry, no call letters.

ORDER TODAY!

**RADIO AMATEUR
callbooks INC.**
Dept. FB 2
925 Sherwood Drive
Lake Bluff, IL 60044

NEW FALL 1979 Test Equipment Catalog available. 108 pages of quality used equipment. Write for free copy. Tucker Electronics Co., Box 401060, Garland, TX 75040.

THE MEASUREMENT SHOP has used/reconditioned test equipment at sensible prices; catalog. 2 West 22nd St., Baltimore, MD 21218.

MANUALS for most ham gear 1937/1970. Send 25¢ for "Manual Catalog." HI, Inc., Box H864, Council Bluffs, Iowa 51502.

WANTED AFSAV-133D & AN/FRA-86 Demods TD-687 Demux, AFSAV-129A Selector & AFSAV-39C Rekeyer. C. T. Huth, 146 Schonhardt, Tiffin, OH 44883.

PORTA PAK — Make your FM mobile a self-contained portable. Models in stock for most popular makes. 4.5 amp hr model \$80.00. 9 amp hr \$103.00. Charger included, shipping extra. P.O. Box 67, Somers, WI 53171.

EQUIPMENT WANTED: We buy late model test equipment and microwave components. Contact Tucker Electronics Company, Box 401060, Garland, TX 75040, 214-348-8800.

RTTY FOR SALE: 28ASR table-top compact (1); 28KSR single-speed (2), w/gearshift (1); M28 ROTR single-speed (2), w/gearshift (3); M28 LXD stand-alone TD (10); 28KSR compact w/gearshift (1); 28RO w/gearshift (2); 34ASR (1); M28 keyboard typing reperf single-speed (2); M28 triple LXD (2); M28-under-dome typing reperf single-speed (1), w/gearshift (2); friction-feed mod kits NEW (3); 2-shaft reperf for 28ASR (2); 60-75-100 wpm gearshifts for 28KSR, RO NEW (5); M28 motorized paper winders (10); self-contained answerbacks (3); 35KSR (1); 35ASR (1); 33ASR TWX (1); gears and parts available for all machines. Send SASE for full list and prices. Lawrence R. Pfeiffer, K9WJB, 2600 S. 14th Street, St. Cloud, MN 56301.

DX, YOU BET! THE DX BULLETIN — Best weekly DX info in the world. For FREE sample copy, send business-size SASE to: The DX Bulletin, 306 Vernon Avenue, Vernon, Connecticut 06066.

WANT TO START QRP (Low Power) Ham Magazine. Anyone interested in subscriptions and/or contributing articles, write: Lynn Woods, 1435 W. 25th, #6, Anchorage, Alaska 99503.

ROHN TOWER — Buy wholesale from Worldwide distributor. 20G \$27.06 section; 25G \$37.62 section; 45G \$67.76 section; 48 ft. foldover tower, \$605.00; 48ft. BX free-standing \$213.40. Hill Radio, 2503 GE Road, Box 1405, Bloomington, IL 61701. (309) 663-2141.

75S-3B, 32S-3 and 516F-2 winged. Excellent condition. All manuals. \$1295. Stan Huber, W7NOI, 318 Steven Ct., Benicia, CA 94510. (707) 745-8089.

NORTH AMERICAN DX REPORT — free sample — SASE to Suites R2-R3, 615 S. Frederick Ave., Gaithersburg, MD 20760 — Phone (301) 840-1987.

CW FILTERS: Active audio 8-pole, install in any radio, selectable bandwidth, \$15-\$32. SASE info W8CBB, 80W. Mennonite, Aurora, OH 44202.

COSMAC ASSEMBLER runs in 1KB, text editor in one page. Cassette and manual \$19.95, specs for SASE. The Elfray, Box 802H, Clarksville, MD 21029.

WANTED: AFSAV-39C keyers, AN/FRA-86 & AFSAV-133 demods., and type "N" coaxial bulkhead lightning arresters. C.T. Huth, 146 Schonhardt St., Tiffin, OH 44883.

FREQUENCY ALLOCATION CHART. See how the entire radio spectrum is used. 2 kHz to 200 GHz. Send \$3.00. Collins Chart Co., Box 935, Coronado, CA 92118.

STOP LOOKING for a good deal on amateur radio equipment — you've found it here — at your amateur radio headquarters in the heart of the Midwest. Now more than ever where you buy is as important as what you buy. We are factory-authorized dealers for Kenwood, Drake, Yaesu, Collins, Wilson, Ten-Tec, Atlas, ICOM, DenTron, MFJ, Tempo, Regency, Hy-Gain, Mosley, Alpha, CushCraft, Swan and many more. Write or call us today for our low quote and try our personal and friendly Hoosier Service. HOOSIER ELECTRONICS, P.O. Box 2001, Terre Haute, Indiana 47802. (812) 238-1456.

FREQUENCY SYNTHESIZERS — How they work, how to design your own, plus more. Self-study book, Design of Phase Locked Loop Circuits, with Experiments, 254 pages. A Blacksburg Series book. \$9.95 postpaid. Group Technology, Box 87K, Check, VA 24072.

SELLING OUT — Collins KWM-2, 516F-2, sealed relays, excellent \$650. Drake DSR-2, New \$1895. Icom 701S, P/S, Mike, Mint, as New, \$1200. IC-RM-2, New \$150. Astro 200A, Console, P/S, Touch-Tone mike, as New \$925. All FOB, prices firm. WA6NWP, 52632 Rd. 426, Oakhurst, CA 93644.

Coming Events

MICHIGAN: Oak Park A.R.C. Annual Swap 'n' Shop, Sunday, January 13th, 8 A.M. until ??? at the Oak Park High School on Oak Park Boulevard. For information, reservations, table space, etc., write Ray Previ, Oak Park A.R.C., 14300 Oak Park Boulevard, Oak Park, Michigan 48237. Talk-in on 146.52 simplex; information 146.04/64.



July 26 thru August 8, 1980

Our 21st year of successful teaching

**Boost your Ham Skills
on the Blue Ridge**

"A Vacation with a Purpose"

Two weeks saturation learning program
in Amateur Radio:

- Novice to General
- General or Technician to Advanced
- Advanced to Amateur Extra

Expert Instruction starting at your level.
Code and Theory in depth along with
Friendly Amateurs, Who Care About
You.

C. L. PETERS, K4DNJ, Director
Oak Hill Academy Amateur Radio Session
Mouth of Wilson, Virginia 24363

Name _____ Call _____

Address _____

City/State/Zip _____

FACSIMILE

**COPY SATELLITE PHOTOS,
WEATHER MAPS, PRESS!**
The Faxes Are Clear — on our full size (18-1/2" wide) recorders. Free Fax Guide.

TELETYPE

RTTY MACHINES, PARTS, SUPPLIES

ATLANTIC SURPLUS SALES (212) 372 0349
3730 NAUTILUS AVE BROOKLYN NY 11224

York electronics

1036 WINDY AVE. LOS ANGELES CA 90038

1 Digit 5 LED Display Battery or AC operation Model F-R62 DPM Kit — \$29.99
3 Digit 5 LED Display Auto Zeroing Battery or AC Model F-T505a DPM Kit — \$32.99 Digital Alarm Clock PC B
3-1/2 Digit 0-43 LED Display Auto Zeroing AC operation Model F-M33a DPM Kit — \$44.99
AC/DC Converter Power Supply Model F-CPS22c Kit — \$39.99
3-1/2 Digit 0-43 LED Display Auto Zeroing Battery or AC operation Model F-IN107a DPM Kit — \$36.99
AC/DC Converter Power Supply Model F-CPS22c Kit — \$39.99
4-1/2 Digit 5 LED Display AC operation 0.005% Accuracy Model F-SX 2021 DPM Kit — \$59.99
Ohm Converter and DC voltage Model F-OV2b Kit — \$22.69
We have PC boards already manufactured for Power Supplies for DiH V A
For different taps & intents
We execute Printed Circuit Boards your artwork single sided
Mail your order now or send for free details

DEALERS WANTED

TOWERS

by ALUMA
HIGHEST QUALITY
ALUMINUM
& STEEL

60 Ft. Aluminum,
Crank-Up
Model T-60-H

40' Steel
Crank-Up
Model SHD-40

- ★ TELESCOPING (CRANK UP)
 - ★ GUYED (STACK-UP)
 - ★ TILT-OVER MODELS
- Easy to install. Low Prices.
Crank-ups to 100 ft.

EXCELLENT FOR
HAM COMMUNICATIONS

SPECIAL
Four Section 50 Ft.
Van Mounted Crank-Up
Aluma Tower

Over 36 types aluminum
and steel towers made—
specials designed and
made—write for details



ALUMA TOWER CO.
Box 2806HR
VERO BEACH, FLA. 32960
PHONE (305) 567-3423
TELEX 80-3405

THIS IS IT

WATT



MODEL 4431 THRULINE®

RF DIRECTIONAL WATTMETER
with VARIABLE RF
SIGNAL SAMPLER - BUILT IN
IN STOCK FOR PROMPT DELIVERY

AUTHORIZED DISTRIBUTOR

Webster
associates

115 BELLARMINE
ROCHESTER, MI 48063

CALL TOLL FREE
800 - 521-2333

IN MICHIGAN 313 - 375-0420

INDIANA: Hamfest Swap & Shop, January 6, first Sunday after New Year's Day, New Century Center, U.S. 31, South Bend. Tables \$3 each. Food service, automobile museum and Art Center in same building. Four lane highways to door. Talk-in 146.52-52, 13-73, 34-94, 147.99-39, 87-27, 69-09.

WISCONSIN: The 8th Annual Midwinter Swapfest of the West Allis Radio Amateur Club, Saturday, January 19, 8:00 A.M., Waukesha County Expo Center, Waukesha. Refreshments, cash prizes. Tickets: \$1.50 advance; \$2.50 door. Reserved tables \$3.00 (4 ft.). Write: 1980 Swapfest, P.O. Box 1072, Milwaukee, WI 53201.

"FREEZE YOUR ARCTIC OFF" expedition sponsored by the Ford Tin Lizzy Club, North Metro Chapter, January 19. The club will be operating from Lake St. Clair near the US-Canadian border. Operations from 2000 GMT January 19 to 1500 GMT January 20. Callsign ADBR. Principal operating frequencies: 7.275 MHz, SSB plus 21.380 MHz if propagation allows. Also 2 meters on 146.52, .55 and .58 MHz. All QSL's acknowledged with 8" x 10" certificate commemorating this event. No SASE necessary. QSL to Box 545, Sterling Heights, MI 48078.

1980 CLASSIC RADIO EXCHANGE sponsored by the Southeast Amateur Radio Club of Cleveland, Ohio. Contest starts 2100 UTC January 27th and continues to 0400 UTC January 28th. Exchange name, RST, state/province/country, receiver and transmitter type, and other interesting information. CW call CQ CX and phone call CQ EXCHANGE. Frequencies: CW, up 60 kHz from low edge; phone, 3910, 7280, 14280, 21380, 28580; Novice/Tech: 3720, 7120, 21120, 28120 kHz. The object is to restore, operate, and enjoy older type radio equipment built since 1945, but not "younger" than ten years of age. Full information from Stu Stephens, 1407 Hollywood Road, Sandusky, Ohio 44870.

GET RID OF YOUR WINTER DOLDRUMS! Attend Wheaton Hamfest Portable Nine sponsored by the Wheaton Community Radio Amateurs Club on Sunday, January 27, 1980, at the Arlington Park EXPO Center at the Arlington Heights Race Track, Arlington Heights, IL. 300 free flea market tables will be available; 100 commercial booths (for booth info call WB9TTE 312/766-1684). Acres of clear paved parking (the EXPO center has its own snow removal equipment!!) Hourly door prizes! Tickets \$3 at door; \$2 advanced. Send S.A.S.E. to W.C.R.A., Box QSL, Wheaton, IL 60187. Doors open at 8:00 a.m. sharp!

THE RICHMOND FROSTFEST III, sponsored by the Richmond Amateur Telecommunications Society will be held Sunday, January 13, 1980, at the Bon Air Community Center. Homebrew contest with four awards, Most Original Idea, Best Electrical Work, Best Mechanical Work and Most Deserving Work. Prizes. FCC Exams start at 10 AM and completed forms 610 must be received in the Norfolk Office of the FCC at 870 North Military Highway, Bank of Virginia Bldg., Norfolk, Va. 23502 no later than January 9th. Admission is \$3.00, indoor Flea Market tables \$3.00, tailgaters \$2.00. Talk-in 28/88 and 34/94. Richmond Amateur Telecommunications Society, P.O. Box 1070, Richmond, Virginia 23208.

JANUARY 19, 1980, Sharon, Pa. Get rid of your post-Christmas blues! Attend the Third Annual Mercer County Amateur Radio Club Seminar to be held at the Holiday Inn of West Middlesex, Pa. off I-80, 9:00 a.m. to 5:00 p.m. Come to hear speakers on your favorite amateur radio topics. Door prizes. \$2.00 advance registration. \$3.00 after January 11. For further details write: K3LA, P.O. Box 673, Sharon, Pa. 16146.

SOUTH CAROLINA QSO PARTY. 1800Z Saturday, February 2nd through 2400Z Sunday, February 3rd. Same station can be worked each band, each mode. S.C. stations can work other in-state stations. Exchange RS(T) and QTH; county for in-state contacts and state, province or country for others. Frequencies: CW - 3550, 3710, 7050, 7110, 14050, 21050, 21110, 28050 and 28110 kHz; PHONE - 3980, 7280, 14280, 21380, and 28580 kHz. No repeater contacts. Information from Elliott Farrell, Jr., WA4YUU, Box 994, Walterboro, S.C. 29488.

QSL EXCHANGE CONTEST RULES: Contest period is from 0000 UTC January 5, 1980, (1900 EST January 4) to 2359 UTC January 6 (1859 EST January 5). All modes. Exchange of call signs and signal reports, accompanied by the statement "I have completed your QSL card" (or QSL done on CW). Make sure the other station is actually in the QSL Exchange Contest and is filling out your card at the same time. CQ QSL TEST is suggested as the call. All QSL cards must be mailed to: H.W. Barry Merrill, W5GN, 10717 Cromwell Drive, Dallas, TX 75229, include SASE. Sort QSL cards by call district, then suffix, then prefix. Entry must be accompanied by \$1.00 for every 100 QSL cards.

142-163 Mhz BANDPASS F-194/U BANDPASS

FILTER - gold-plated twin tuned cavity designed for the 142 to 163 Mhz range. Has tuning controls and type N connections. Size: 6 1/4 x 2 1/2 x 1 1/2", 6 lbs. sh. wt. Unused **\$17.95**



We have similar filters (listed below) which can be converted to amateur usage according to conversions by W4FXE (Nov. '79 Ham Radio) used @ **\$12.95** each or unused @ **\$15.95:** F-192/U or F-193/U, used only, conversion to 2-meters. F-195/U (163-184 Mhz) or F-196/U (185-205 Mhz), conversion to 220-225 Mhz. F-202/U (314-344 Mhz), conversion to 420-450 Mhz.

All Prices F.O.B. Lima, Ohio. Please Allow for Shipping. Use your VISA or MASTERCARD. Write for our Big FREE CATALOG. Address Dept. HR • Phone 419/227-6573

FAIR RADIO SALES

1016 E. EUREKA • Box 1105 • LIMA, OHIO • 45802

SIGNAL GENERATORS RECONDITIONED AND LAB CALIBRATED

AN/URM-25, 10 KHZ THRU 50 MHZ, AM/CW MODULATION 400 & 1 KHZ, RF OUTPUT 0-2V OR 0-.1V PRECISION 50 OHM STOP ATTENUATOR \$285.00

TS-497/URR, 10 KHZ THRU 50 MHZ, AM/CW 0-100,000 MV, 2 THRU 400 MHZ, MILITARY VERSION OF MEASUREMENTS MODEL 80 225.00

TS-510A/U RANGE 10 MHZ THRU 420 MHZ OUTPUT VOLTAGE .5V TO 1V, MODULATION 400, 1000 HZ BUILT-IN CALIBRATOR, AM, CW PULSE 385.00

SG-12/U, RANGE 20 MHZ THRU 100 MHZ IN 5 RANGES, BUILT-IN FM MODULATION, CALIBRATED OUTPUT METER AND DEVIATION, CRYSTAL MARKERS 185.00

SG-3/U RANGE 50 THRU 400 MHZ IN 3 BANDS, RF OUTPUT .1V, VARIABLE 50 OHM ATTENUATOR, FM DEVIATION 0-150 KHZ IN 3 RANGES 385.00

SG-24/TRM-3 SWEEP SIGNAL GENERATOR, RANGE 15 THRU 400 MHZ, FM, AM, CW OUTPUT, FM DEVIATION, BUILT-IN OSCILLOSCOPES FOR OBSERVING WAVEFORMS, CRYSTAL MARKERS 265.00

MILITARY SG-13/U VOR/ILS, RANGE 108-135.9 MHZ and 329.3 TO 335 MHZ OUTPUT SIGNALS INCLUDE VOR, LOC, GLIDE-SLOPE AND 1000 CPS, OPERATES FROM 115V, 60 HZ. GENERATOR SAME AS COLLINS 479T-2 245.00

TS-621/URM-52 RANGE 3.8 THRU 7 GHZ, SAME AS HP618B, CW, PULSE, FM, SQUARE WAVE 285.00

TS-403/URM-61 RANGE 1800 THRU 4000 MHZ, FM, CW, PULSE, SQUARE WAVE, MILITARY VERSION OF HP616A 285.00

TS-418/URM-49, RANGE 400 THRU 1000 MHZ, AM, CW OR PULSE 145.00

TS-419/URM-64, RANGE 900 THRU 2100 MHZ, CW OR PULSE EMISSION 165.00

SG-66/ARM-5, VOR GENERATOR RANGE 108 THRU 132 MHZ, MILITARY VERSION ARC H-14A 285.00

SATISFACTION GUARANTEED OR MONEY REFUNDED. SEND CHECK, M. C. OR VISA, FOB OTTO, N. C., PHONE BILL SLEP (704) 524-7519.

SLEP ELECTRONICS  CO.

P.O. BOX 100, HWY. 441, DEPT. HR1
OTTO, NORTH CAROLINA 28763

Station ID Timer and Code Practice Oscillator

ONLY **\$19⁹⁵**
IN KIT FORM

\$26⁹⁵
ASSEMBLED PLUS \$2.00 SHIPPING



NEW!

NOW! EAGLE ELECTRONICS INTRODUCES a practical accessory to every amateur station: The TM-1000™ 10 minute ID timer and code practice oscillator will remind you with a loud clear tone when it is time to identify. No longer is it necessary to keep an eye on the clock to be sure you identify in time; **the TM-1000™ keeps track of the time for you.** And, when you're not on the air, you can use it to improve your code speed because it **doubles as a code practice oscillator.**

THE TM-1000™ HAS FULLY ADJUSTABLE volume and tone and its timer is adjustable from 45 seconds to 10 minutes. It comes in an attractive walnut-grain cabinet and is powered by one 9v battery (not included).

THERE'S NO NEED TO WORRY ABOUT missed ID's during roundtables and QSO's anymore. **With the TM-1000™ in your station, you are assured of identifying in time.**

THE TM-1000™ AUTOMATICALLY RESETS after alerting you and can be reset any time by pressing the reset button.

TRADITIONALLY, AMATEURS HAVE endeavored to obey all regulations as closely as possible. **The TM-1000™ is an important aid to help amateurs** maintain that tradition by assuring that identification is accomplished at the proper intervals.

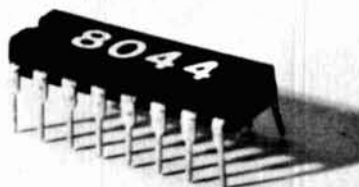
THE TM-1000™ COMES WITH A 1 YEAR guarantee and a 10 day, money back (less shipping) guarantee.

SO ORDER YOUR TM-1000™ STATION ID TIMER/CODE PRACTICE OSCILLATOR TODAY FROM:

EAGLE ELECTRONICS®

BOX 426B, PORTAGE, MI 49081
or call 1-616-375-7469 to order COD or by bank card.
Mich. res. add 4% sales tax. (24 hours)
Optional AC adapter \$7.95 extra.

Seven* new finger talkers



from CURTIS

* EK-480: C-MOS Deluxe Keyer	\$134.95
* EK-480M: Above plus speedmeter	149.95
* I-480: InstructoMate	124.95
* M-480: MemoryMate	124.95
* IM-480: Instructo-MemoryMate	179.95
* KB-480: Morse KeyboardMate	199.95
* KB-480D: Morse Keyboard	349.95
8044: Keyer-On-A-Chip (Replaces 8043)	14.95
Apr '75 HR, Feb '76 QST, Radio Hdbk '75, ARRL Hdbk '77-79	
8044-3: IC, PCB, Socket, Manual	24.95
8044-4: Semi-Kit	54.95
8045: Morse Keyboard-On-A-Chip IC	59.95
8045-1: IC, PCB, FIFO, Sockets, Manual	89.95
8045-2: Semi-Kit	159.95
8046: Instructokeyer-On-A-Chip IC	49.95
8046-1: Semi-Kit	79.95
8047: Message Memory-On-A-Chip IC	39.95
8047-1: IC, PCB, RAM, Sockets, Manual	69.95
(add \$1.75 on above for postage and handling)	
IK-440A: Instructokeyer (Mar '76 QST)	224.95

Curtis Electro Devices, Inc.
Dept. H (415) 494-7223
Box 4090, Mountain View, CA 94040



NEW FROM GLB

A complete line of **QUALITY 50** thru 450 MHz **TRANSMITTER AND RECEIVER KITS**. Only two boards for a complete receiver. 4 pole crystal filter is standard. Use with our **CHANNELIZER** or your crystals. Priced from \$69.95. Matching transmitter strips. Easy construction, clean spectrum, **TWO WATTS** output, unsurpassed audio quality and built in **TONE PAD INTERFACE**. Priced from \$29.95.

SYNTHESIZER KITS from 50 to 450 MHz. Prices start at \$119.95.

Now available in **KIT FORM** — GLB Model 200 **MINI-SIZER**.

Fits any HT. Only 3.5 mA current drain. Kit price \$159.95 **Wired and tested. \$239.95**

Send for **FREE 16 page catalog**.

We welcome Mastercharge or VISA

GLB ELECTRONICS

1952 Clinton St., Buffalo, N. Y. 14206

NEW 80-METER TRANSCEIVER



ONLY **\$79.95**

PPD U.S.A. LESS BATTERIES

- CW operation VFO control from 3685 to 3755 kHz.
- Output power approximately ½ watt.
- Adjustable output impedance.
- Operates on 9 self contained 1.5 volt D cells.
- Long life from ordinary carbon-zinc cells.
- Low distortion side tone oscillator.
- Direct conversion receiver.
- RF amplifier and sharp passive audio filter.
- Receiver independent tuning.
- Size 9" wide by 5" high by 8" deep.
- Instruction manual included.

Accessories required but not included, are 8-ohm stereo phones, telegraph key, a good antenna such as a half-wave dipole, and a dc voltmeter.

MANUAL AVAILABLE SEP. \$2.00
SEND S.A.S.E. FOR SPEC SHEET
R.I. RESIDENTS ADD 6% SALES TAX

TEDCO

9 Canonicus Avenue
Newport, Rhode Island
02840

SYNTHESIZED SIGNAL GENERATOR



- Covers 100 to 179.999 MHz in 1 kHz steps with thumb-wheel dial
 - Accuracy .00001% at all frequencies
 - Internal frequency modulation from 0 to over 100 kHz at a 1 kHz rate
 - Spurs and noise at least 60dB below carrier
 - RF output adjustable from 50 to 500mv across 50 ohms
 - Operates on 12vdc @ ½ amp
 - Price \$299.95 plus shipping.
- In stock for immediate shipping. Overnight delivery available at extra cost. Phone: (212) 468-2720.

VANGUARD LABS

196-23 Jamaica Ave. Hollis, NY 11423



10 Watts In - 75 Watts Out

2 Meter FM or SSB Amplifier

Complete Kit Model 875-K \$99.95

See article in Sept. 79 QST pgs. 11-16

COMMUNICATION CONCEPTS, INC.

2648 North Aragon Ave.

Dayton, Ohio 45420

Phone: (513) 294-8425

UHF Kits Also Available Send For FREE Data Sheet

Discover the unrivaled ASTRO 102BX with Dual PTO's

Plus IF Passband Tuning/Full Band Coverage, Speech Processing, 235 Watts PEP All Bands and Much More.

4-Function Meter
reads "S" units in receive, and selects forward power, reflected power, or ALC in transmit.

Visual Display of Passband Tuning
A series of 8 LED's indicate the equivalent band width and position of the passband from 0.6 to 2.7 KHz as the passband tuning knob is rotated.

300Hz Crystal CW Filter
Cascaded with the passband filters and tunable through the passband. Combined with notch filter yields unrivaled CW performance.

Full or Semi CW Break-in
A must for the avid CW operator!

2 Position CW Wave Shaping
Your choice of soft or hard CW rise and decay time!



Variable AGC Decay
Continuously variable to suit your preference.

Passband Tuning with 16 Pole Filters
Two 8-pole crystal filters in cascade provides a 1.4:1 shape factor at -100dB! The ultimate in selectivity.

Tunable Notch Filter
Provides the ability to "notch out" QRM. When used in conjunction with the passband tuning, provides the ultimate in removing interference.

Dual PTO's
Two independent high stability PTO's provide true split band operation. The digital counter reads the PTO selected, or in split band reads the PTO used for receive, then switches to the transmit frequency selected when the mic is keyed.

All Band Coverage using PLL and Synthesizer for Band Selection
Full coverage of 160 meters through all of 10 meters in 9 ranges... diode matrix programmed for now — or for the future!



The ASTRO 102BX with its companion PSU-6 Power Supply, 1500Z Linear Amplifier and ST-2A Antenna Tuner provides a matched and highly efficient 1500 watt PEP or 1000 watt CW complete station to be complemented by a great Swan antenna.

All Solid State
Quality
American
Construction

ASTRO 102BX

SWAN
ELECTRONICS

A member of the Cubic Corporation family of companies

305 Airport Road / Oceanside, CA 92054 / 714-757-7525

HAM MART

Ham Radio's guide to help you find your local

Arizona

HAM SHACK

4506-A NORTH 16TH STREET
PHOENIX, AZ 85016
602-279-HAMS

Serving all amateurs from beginner to expert. Classes, sales & service.

KRYDER ELECTRONICS

5520 NORTH 7TH AVENUE
NORTH 7TH AVE. SHOPPING CTR.
PHOENIX, AZ 85013
602-249-3739

Your Complete Amateur Radio Store.

POWER COMMUNICATIONS

6012 N. 27 AVE.
PHOENIX, ARIZONA 85017
602-242-6030

Arizona's #1 "Ham" Store. Yaesu, Kenwood, Drake, Icom and more.

California

C & A ELECTRONIC ENTERPRISES

22010 S. WILMINGTON AVE.
SUITE 105, P. O. BOX 5232
CARSON, CA 90745
800-421-2258

213-834-5868 · Calif. Res.

Not The Biggest, But The Best —
Since 1962.

JUN'S ELECTRONICS

11656 W. PICO BLVD.
LOS ANGELES, CA 90064
213-477-1824 Trades
714-463-1886 San Diego

The Home of the One Year Warranty
— Parts at Cost — Full Service.

QUEMENT ELECTRONICS

1000 SO. BASCOM AVENUE
SAN JOSE, CA 95128
408-998-5900

Serving the world's Radio
Amateurs since 1933.

SHAVER RADIO, INC.

1378 S. BASCOM AVENUE
SAN JOSE, CA 95128
408-998-1103

Atlas, Kenwood, Yaesu, KDK,
Icom, Tempo, Wilson, Ten-Tec,
VHF Engineering.

TELE-COM

15460 UNION AVE.
SAN JOSE, CA 95124
408-377-4479

Connecticut

THOMAS COMMUNICATIONS

95 KITTS LANE
NEWINGTON, CT 06111
800-243-7765 • 203-667-0811
Call us toll free.

Delaware

DELAWARE AMATEUR SUPPLY

71 MEADOW ROAD
NEW CASTLE, DE 19720
302-328-7728

ICOM, Ten-Tec, Swan, DenTron,
Wilson, Tempo, KDK, and more.
One mile off I-95, no sales tax.

Florida

AGL ELECTRONICS, INC.

1898 DREW ST.
CLEARWATER, FL 33515
813-461-HAMS

West Coast's only full service
Amateur Radio Store.

AMATEUR RADIO CENTER, INC.

2805 N.E. 2ND AVENUE
MIAMI, FL 33137
305-573-8383

The place for great dependable
names in Ham Radio.

RAY'S AMATEUR RADIO

1590 US HIGHWAY 19 SO.
CLEARWATER, FL 33516
813-535-1416

Atlas, B&W, Bird, Cushcraft,
DenTron, Drake, Hustler, Hy-Gain,
Icom, K.D.K., Kenwood, MFJ, Rohn,
Swan, Ten-Tec, Wilson.

SUNRISE AMATEUR RADIO

1351 STATE RD. 84
FT. LAUDERDALE, FL 33315
(305) 761-7676

"Best Prices in Country."
Try us, we'll prove it."

Illinois

AUREUS ELECTRONICS, INC.

1415 N. EAGLE STREET
NAPERVILLE, IL 60540
312-420-8629

"Amateur Excellence"

ERICKSON COMMUNICATIONS, INC.

5456 N. MILWAUKEE AVE.
CHICAGO, IL 60630
Chicago - 312-631-5181
Outside Illinois - 800-621-5802
Hours: 9:30-5:30 Mon, Tu, Wed &
Fri.; 9:30-9:00 Thurs; 9:00-3:00 Sat.

SPECTRONICS, INC.

1009 GARFIELD STREET
OAK PARK, IL 60304
312-848-6777

One of America's Largest
Amateur & SWL Stores.

Indiana

KRYDER ELECTRONICS

GEORGETOWN NORTH
SHOPPING CENTER
2810 MAPLECREST RD.
FORT WAYNE, IN 46815
219-484-4946

Your Complete Amateur Radio Store.
10-9 T, TH, F; 10-5 W, SAT.

Iowa

BOB SMITH ELECTRONICS

RFD #3, HIGHWAY 169 & 7
FORT DODGE, IA 50501
515-576-3886

800-247-2476/1793

Iowa: 800-362-2371

For an EZ deal.

Kansas

ASSOCIATED RADIO

8012 CONSER, P. O. BOX 4327
OVERLAND PARK, KS 66204
913-381-5901

America's No. 1 Real Amateur
Radio Store. Trade - Sell - Buy.

Maryland

THE COMM CENTER, INC.

9624 FT. MEADE ROAD
LAUREL PLAZA, RT. 198
LAUREL, MD 20810

800-638-4486

R. L. Drake, Ten-Tec, ICOM, Wilson,
Tempo, DenTron, Mosley, Cushcraft.

Massachusetts

TEL-COM, INC.

675 GREAT RD. RT. 119
LITTLETON, MA 01460
617-486-3040

The Ham Store of New England
you can rely on.

TUFTS RADIO ELECTRONICS

206 MYSTIC AVENUE
MEDFORD, MA 02155
617-395-8280

New England's friendliest
ham store.

Dealers: *YOU SHOULD BE HERE TOO!*
Contact Ham Radio now for complete details.

Amateur Radio Dealer

Michigan

RSE HAM SHACK
1207 W. 14 MILE
CLAWSON, MI 48017
313-435-5660
Complete Amateur Supplies.

Minnesota

PAL ELECTRONICS INC.
3452 FREMONT AVE. NO.
MINNEAPOLIS, MN 55412
612-521-4662
Midwest's Fastest Growing Ham
Store, Where Service Counts.

Missouri

HAM RADIO CENTER, INC.
8340-42 OLIVE BLVD.
ST. LOUIS, MO 63132
800-325-3636
For Best Price and Fast Delivery
Call toll free 1-800-325-3636

Nebraska

COMMUNICATIONS CENTER, INC.
443 NORTH 48TH ST.
LINCOLN, NE 68504
800-228-4097
Lowest Prices in the USA
on Ham Equipment.

New Hampshire

EVANS RADIO, INC.
BOX 893, RT. 3A BOW JUNCTION
CONCORD, NH 03301
603-224-9961
Icom, DenTron & Yaesu dealer.
We service what we sell.

New Jersey

ATKINSON & SMITH, INC.
17 LEWIS ST.
EATONTOWN, NJ 07724
201-542-2447
Ham supplies since "55".

BARGAIN BROTHERS ELECTRONICS
216 SCOTCH ROAD
GLEN ROC SHOPPING CTR.
WEST TRENTON, NJ 06828
609-883-2050
A million parts - lowest prices
anywhere. Call us!

METUCHEN RADIO
216 MAIN STREET
METUCHEN, NJ 08840
201-494-8350
New and Used Ham Equipment
WA2AET "T" Bruno

RADIOS UNLIMITED
P. O. BOX 347
1760 EASTON AVENUE
SOMERSET, NJ 08873
201-469-4599
New Jersey's Fastest Growing
Amateur Radio Center.

ROUTE ELECTRONICS 46
225 ROUTE 46 WEST
TOTOWA, NJ 07512
201-256-8555
Drake, Swan, DenTron, Hy-Gain,
Cushcraft, Hustler, Larsen, Etc.

WITTIE ELECTRONICS
384 LAKEVIEW AVENUE
CLIFTON, NJ 07011
(201) 772-2222
Same location for 62 years.
Full line authorized Drake dealer.

New York

HAM-BONE RADIO
3206 ERIE BLVD. EAST
SYRACUSE, NY 13214
315-446-2266
We deal, we trade, all major brands!
2-way service shop on premises!

HARRISON RADIO CORP.
20 SMITH STREET
FARMINGDALE, NY 11735
516-293-7990
"Ham Headquarters USA"
since 1925.
Call toll free 800-645-9187.

RADIO WORLD
ONEIDA COUNTY AIRPORT
TERMINAL BLDG.
ORISKANY, NY 13424
Toll Free 800-448-7914
NY { 315-337-2622
Res. { 315-337-0203
New & Used Ham Equipment.
See Warren K2IXN or Bob WA2MSH.

Ohio

AMATEUR RADIO
SALES & SERVICE INC.
2187 E. LIVINGSTON AVE.
COLUMBUS, OH 43209
614-236-1625
Antennas and Towers for
All Services.

UNIVERSAL AMATEUR RADIO, INC.
1280 AIDA DRIVE
COLUMBUS (REYNOLDSBURG)
OH 43068
614-866-4267
Complete Amateur Radio Sales and
Service. All major brands - spacious
store near I-270.

Oklahoma

KRYDER ELECTRONICS
5826 N.W. 50TH
MacARTHUR SQ. SHOPPING CTR.
OKLAHOMA CITY, OK 73122
405-789-1951
Your Complete Amateur Radio Store

Pennsylvania

ELECTRONIC EXCHANGE
136 N. MAIN STREET
SOUDERTON, PA 18964
215-723-1200
Demonstrations, Sales, Service
New/Used Amateur Radio Equip.

HAMTRONICS, DIV. OF
TREVOSE ELECTRONICS
4033 BROWNSVILLE ROAD
TREVOSE, PA 19047
215-357-1400
Same Location for 30 Years.
Call Toll Free 800-523-8998.

LaRUE ELECTRONICS
1112 GRANDVIEW STREET
SCRANTON, PENNSYLVANIA 18509
717-343-2124
ICOM, Bird, Cushcraft, CDE,
Ham-Keys, VHF Engineering,
Antenna Specialists.

SPECIALTY COMMUNICATIONS
2523 PEACH STREET
ERIE, PA 16502
814-455-7674
Authorized Atlas Radio
East Coast Service Center.

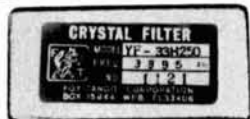
South Dakota

BURGHARDT
AMATEUR RADIO CENTER, INC.
P. O. BOX 73
WATERTOWN, SD 57201
605-886-7314
"America's Most Reliable
Amateur Radio Dealer".

Texas

HARDIN ELECTRONICS
5635 E. ROSEDALE
FT. WORTH, TX 76112
817-461-9761
Your Full Line Authorized
Yaesu Dealer.

BUY THE BEST!



Whether your SSB rig is old or new, there is no easier or essentially less expensive way to significantly upgrade its performance than by improving its IF passband filtering. FOX-TANGO filters are made of specially-treated high-Q quartz crystals, affording excellent shape factors and ultimate rejection exceeding 80 dB. They are custom made for drop-in installation, matching perfectly, both physically and electronically. Our Diode Switching Boards make possible (now or in the future) the addition of a variety of switch-selectable filters affording superior variable bandwidth without the need to buy an expensive new model. If you want the best for less, you'll buy FOX-TANGO. Just tell us the bandwidth(s) desired for your make and model.

8-POLE FILTER BANDWIDTHS IN STOCK										
MAKE AND MODEL OF SET	CW (Hz) ¹					SSB-AM (kHz) ²				SEE NOTE #
	125	250	400	500	800	1.8	2.1	2.4	6.0	
YAESU \$55 EACH										
FT-101/FT-101	✓	✓	✓	✓	✓	✓	✓	✓	✓	3
FT-301/FT-77B	✓	✓	✓	✓	✓	✓	✓	✓	✓	3
FT-901/FT-1012B	✓	✓	✓	✓	✓	✓	✓	✓	✓	4
FT-401	✓	✓	✓	✓	✓	✓	✓	✓	✓	4
KENWOOD \$55 EACH										
TS-20/RS9	✓	✓	✓	✓	✓	✓	✓	✓	✓	3
TS-20/RS9	✓	✓	✓	✓	✓	✓	✓	✓	✓	3
TS-20/RS9	✓	✓	✓	✓	✓	✓	✓	✓	✓	5
HEATH \$55 EACH										
ALL BUT 3815A	✓	✓	✓	✓	✓	✓	✓	✓	✓	3
DRAKE FOR PRICES SEE NOTES										
R-40/C	GUF-1	✓	✓	✓	✓	✓	✓	✓	✓	6
	GUF-2	✓	✓	✓	✓	✓	✓	✓	✓	7
	VERY SHARP CW (2nd IF)	✓	✓	✓	✓	✓	✓	✓	✓	8
	GUD - PRODUCT DETECTOR KIT	✓	✓	✓	✓	✓	✓	✓	✓	9
COLLINS SPECIAL \$125 EACH										
755-38/C	✓	✓	✓	✓	✓	✓	✓	✓	✓	10

- NOTES:**
1. a) **250 Hz Filters.** Considered to be very sharp, ideal for DX and contest work. Excellent for crowded band conditions, yet not too narrow for ordinary operations. Though superior to audio-type filters, crystal filters work well with them.
 - b) **400 and 500 Hz Filters.** Slightly narrower than "standard" units supplied as options. However, Fox-Tango filters are 8-pole, unlike the 6-pole (or less) ordinarily available. Through the use of Diode Switching Boards, both standard-type and sharp (as well as SSB) filters may be used on a switch-selectable basis for flexible operation.
 2. a) **1.8 kHz Filters.** Intended to supplement (or supplant) standard SSB filters whose bandwidth is about 33% greater. Useful in overcoming DRM.
 - b) **2.1 kHz Filters.** Provide a modest improvement over broader standard units, but even where the same bandwidth, the superior Fox-Tango characteristics greatly improve performance.
 - c) **2.4 kHz Filters.** Superior replacements for standard units having fewer than 8 poles. Also useful in some speech processors.
 - d) **6 kHz Filters.** Essential for quality reception of short-wave broadcasts, CB signals, etc. ordinarily almost unintelligible when SSB filter is used.
 3. **Filter Prices** include Airmail Postpaid to U.S., Canada, Mexico. Elsewhere, add \$3 per filter.
 4. For FT-560/570/401/401B.
 5. Filter marked with star (*) is a new 455 kHz 2nd IF unit for superior R-820S SSB. Similar in quality to Collins unit below. **Introductory price:** \$125 each.
 6. **GUF-1.** Replaces present 1st IF unit for CW and SSB. Shape factor 1.5, ultimate rejection 100 dB+. Original unit, 4.7 and 65 dB. **Specify** desired bandwidth: 6 or 8 kHz. \$65 each.
 7. **GUF-2.** Filter plus relays, etc. on PC board. Easy installation. Automatically replaces broad 1st IF unit during CW. **Specify** desired bandwidth: 600 or 800 Hz. Use with or without GUF-1. \$90 each.
 8. **56H125 Filter.** Sharpest CW filter available (2nd IF). Front-panel selected, plugs into rear apron of set. **Special:** \$90 each.
 9. **GUD.** Converts existing detector to **double-balanced** type, providing better isolation between input and output. Wired and tested PC board, ready for easy installation. **Special:** \$30 each.
 10. Special plug-in unit equals or exceeds specifications of \$400 + Collins X455Q200. **Special:** \$125 each.

DIODE SWITCHING BOARDS (DSB)
Permit inboard mounting of one, two (or more) filters than those for which the manufacturer provides room; all switch-selectable using existing front-panel switches in some cases. Available for all **Yaesu** and **Kenwood** equipment listed except tube-type sets. **Specify** Make, Model and Filter to be used on DSB.

Single-filter type: \$12 Airmail postpaid worldwide
Dual-filter type: \$21 Airmail postpaid worldwide
Order with confidence. Money back if not satisfied. VISA/MC welcomed.

Florida residents add 4% (sales tax)

FOX-TANGO CORP.
Box 15944H, West Palm Beach, FL 33406

NEW — NEW — NEW

TOUCH-TONE® MICROPHONE DATA CODER 5



\$39.00

JUST LOOK AT THESE FEATURES:

- Tough "Mobile Environment" Microphone
- Positive-Action Tactile Keys
- High-Impedance Ceramic or 500-ohm Dynamic Cartridge
- Adjustable Tone Balance and Output Level
- "Positive Hold - Easy Lift" Hanger
- For Vehicle or Hand-held Portable Use
- Complete . . . Not a Kit . . . \$39.00

*Touch-Tone is a registered trade name of AT&T



DATA SIGNAL, INC.
2403 COMMERCE LANE
ALBANY, GEORGIA 31707
Tel. 912-883-4703

NEW! Sottron Antennas THE ULTIMATE SPACE SAVER

80 Meters	or	40 Meters
4½ ft.	Length	3 ft.
8 lbs.	Weight	4 lbs.
110 kHz	B.W.	250 kHz
50Ω coax	Feed	50Ω coax
54.95	Price	44.95

Needs no radials or matching devices! B.W. is within 2:1 S.W.R. Excellent for all amateur uses. Call or write:

BILAL COMPANY
Star Route
Florissant, Colo. 80816
Phone: (303) 687-3219

F.E.T. included

COMM AUDIO PROCESSOR

NEW - Shaped Voice Filter and Anti-Phasic Noise added to Binaural Synthesis and Tone-Tog + Filter

BROCHURES BROCHURES BROCHURES

Hildreth Engineering

P.O. Box 60003 Sunnyvale, CA 94088

MILITARY SURPLUS WANTED

Highest prices ever on recent U.S. Military surplus, especially on Collins equipment or parts. We pay freight. Call collect now for our high offer. 201-440-8787.

SPACE ELECTRONICS CO.
35 Ruta Court, S. Hackensack, N.J. 07606

Operate Legally Without An FCC License in the 160-190 kHz Band



LOW & MEDIUM FREQUENCY RADIO SCRAPBOOK (3rd Edition)

by Ken Cornell, W2IMB

Here's your chance to get on the air and have some legal license-free excitement in the 160-190 kHz range. Explore the enticing world of the low frequencies and uncover some new fun! Complete details on assembling homebrew to work these frequencies plus full info on FCC rules and regulations. A book you just can't afford to miss. 110 pages. ©1977.

□ HR-LF

Softbound \$6.95



ADDENDUM '77/'78 for the Low & Medium Frequency Radio Scrapbook

by Ken Cornell, W2IMB

Even more goodies from the 160-190 kHz region. Addendum '77/'78 is designed to complement **The Low & Medium Frequency Radio Scrapbook**. The technical data is excellent and will provide you "low-fers" even more information, applications, and techniques for these enticing frequencies. Latest revised FCC rules governing the non-licensed communication bands. 68 pages. ©1977.

□ HR-LFA

Softbound \$3.95

Be a LOWFER

Join the fun and get on 160-190 kHz this winter

Send your order today or call

TOLL FREE
1 (800) 258-5353

Clip & Mail Today!

□ HR-LF

\$6.95

□ HR-LFA

\$3.95

Plus shipping

\$1.00

Total enclosed _____

□ Charge

□ MC

□ VISA

Expiration _____

Card Number _____

Name _____

Address _____

City _____

State _____

Zip _____

Ham Radio's Bookstore
GREENVILLE, NEW HAMPSHIRE 03048

SCANNERS

NOW, INTRODUCING SCANNERS

FOR THE KENWOOD TR7600 AND TR7625,
KDK 2015R, KDK 2016A; MIDLAND 13-510, 13-513;
CLEGG FM-28; YAESU FT227R; ICOM IC22S;
KENWOOD TR7400A.

- * AED continues to expand its line of quality scanners. Each of the above scanners are custom designed for their respective rigs.
- * All scanners install completely inside rig. No obtrusive external connections.
- * All are easy to assemble and come complete with detailed instruction manual.
- * Scanned frequency displayed on digital readout (except IC22S).
- * In the scanner OFF mode the rig operates normally. In the scanner ON mode the scanner locks on an occupied frequency, pauses for a preset time (about 5 secs.) and then resumes scanning.
- * This gives you the ability to eavesdrop all over the band without lifting a finger. When you hear something interesting, you flip the switch to the LOCK mode and the rig is ready to transmit.

AED SCANNER SPECIFICATIONS

	KDK 2015R	KDK 2016A	KENWOOD TR7600 TR7625	KENWOOD TR7400A	YAESU FT227R	MIDLAND 13-510 13-513	CLEGG FM-28	ICOM IC22S
SCAN RATE	Adjustable 100 kHz/sec-1 MHz/sec		50 kHz/sec		200 kHz/sec	100 kHz/sec	100 kHz/sec	100 kHz/sec
SWEEP WIDTH	144-148 142-149.995 or only the MHz segment you select on MHz switch		complete band or MHz you want		adjustable eg. 146-148 144-146, 146-147	scans the MHz seg. selected by the MHz switch	same as Midland	145.35- 147.99
SCAN CONTROLS	2 mini toggle switches mounted on rig - LOCK switch may be mounted on mic		2 mini toggle switches mounted on rig.		1 mini toggle switch mounted on mic or rig	2 mini toggle switches mounted on rig.	same as Midland	1 mini toggle switch mounted on mic or rig

PRICE
PER KIT **\$39.95**

PRICE
PRE-ASSEMBLED **\$59.95**

ADD \$1.50 FOR POSTAGE & HANDLING.



AED ELECTRONICS
750 LUCERNE RD., SUITE 120
MONTREAL, QUEBEC, CANADA H3R 2H6
TEL. 514-737-7293



**Hungup
in Homebrew?**

**See Radiokit
for all your
radio parts needs:**

- Air-wound coils
- Amphenol coaxial connectors
- B & W coil stock
- Ceramic feedthroughs and standoffs
- Chassis and enclosures
- Coaxial switches & relays
- Eimac sockets and accessories
- Ferrite beads
- Filament chokes
- High-voltage connectors
- Jackson dials and reduction drives
- J.W. Miller coils and forms
- Knobs of all varieties
- Linear amplifier parts
- Lowpass filters
- Mica padder capacitors
- Millen components
- Pi network capacitors and inductors
- Pot cores
- RF chokes
- RF switches
- Roller inductors
- Rotary counter dials
- Shaft couplers of all kinds
- Toroids
- Transistors and ICs
- Transmatch parts
- Variable capacitors
- Wire and cable

KITS: WARC Receiver and Transmitter (1979 ARRL HANDBOOK), RF Noise Bridge (Ham Radio, February 77), W1JR Broadband Balun (Ham Radio, September 78), Memory Accu-Keyer (Ham Radio, April 79), Split-Band Speech Processor (Ham Radio, September 79), 250-MHz Frequency Counter, and many others...

Free Catalog
write or call (603) 465-7660

RADIOKIT
BOX 429-H, HOLLIS, NH 03049

Radio World

CENTRAL NEW YORK'S FASTEST GROWING HAM DEALER



Featuring Yaesu, Icom, Drake, Atlas, Ten-Tec, Swan, DenTron, Pace, Palomar, Alda, Midland, Wilson, KDK, MFJ, Microwave Module, Standard, Tempo, Astron, KLM, Hy-Gain, Mosley, Larsen, Cushcraft, Hustler, Mini Products, Universal and Tristao Towers. We service everything we sell! Write or call for quote. **You Won't be Disappointed.**
We are just a few minutes off the NYS Thruway (I-90) Exit 32

Warren
K2IXN
Call Toll Free: 1-800-448-7914

ONEIDA COUNTY AIRPORT TERMINAL BUILDING
ORISKANY, NEW YORK 13424

Bob
WA2MSH
New York State Residents Call: 315-337-2622 or 315-337-0203

These CRYSTAL FILTERS are for you!

600 Hz 6-Pole First -IF Filter for Drake R-4C

Optimum bandwidth, low loss. Improve the early-stage selectivity. Eliminate those high-pitched beat notes from signals that leak around the switchable second-IF filter. Minimize the chance of strong signals overloading the second mixer, causing intermodulation and desensitization. Both the existing filter and our CF-600/6 can be mounted in the receiver and relay switching to retain phone capabilities. CF-600/6: \$80.00. Relay switch kit: \$33.00.

125 Hz 8-Pole Second -IF Filter for R-4C

Still sharpest available! 275 Hz at -60 dB! Cuts QRM. Ideal for DX and contest work. Unexcelled under crowded band conditions. More selective than audio filters. Puts selectivity in AGC loop. Unlike with audio filters, receiver gain not reduced by QRM outside passband. CF-125/8: \$130.00.

Superior 8-Pole CW Selectivity for TR-4s

350 Hz at -6 dB, 850 Hz at -60dB. Cuts QRM. More selective than 6-pole CW filter in TR-4Cw. For all TR-4s S/N 26,000 and above. CF-350/8: \$120.00. Switch and mounting kit: \$10.00.

Signal/One CX-7, CX-11 8-Pole CW Filter

All purpose CW bandwidth, low-loss, 350-Hz. Ideal for RTTY. CS-350/8: \$120.00.

16-Pole R-4C SSB!

Reduce QRM, leakage, overload, blanker false-triggering. Overall shape factor 1.4. 2kHz at -6dB, 2.8kHz at -60dB. CF-2K/8 pair: \$120.00. Relay switch kits start at \$33.00.

3kHz 8-Pole Filter for R-4C, R-7, TR-7

Sharpest AM filter, also wideband SSB in 7-line. Optional two AM filter relay switch kit for R-4C: \$33.00. CF-3K/8 for R-4C, CD-3K/8 for R-7, TR-7: \$80.00.

R-4C FRONT-PANEL DC CONTROL/AGC DUAL-FUNCTION ROTARY SWITCH: \$19.00. Can switch relays for CF-600/6, CF-2K/8, CF-3K/8, and existing 8-kHz first-IF filter.

Sherwood Engineering Inc.
1268 South Ogden St.
Denver, Colo. 80210
(303) 722-2257

Money back if not satisfied

Add \$3 per order shipping;
\$6 overseas air

Dealer Inquiries Welcome



State
of the art



by

K.V.G.

CRYSTAL FILTERS and DISCRIMINATORS

9.0 MHz FILTERS

XF9-A	2.5 kHz	SSB TX	\$43.75
XF9-B	2.4 kHz	SSB RX/TX	\$59.35
XF9-C	3.75 kHz	AM	\$63.80
XF9-D	5.0 kHz	AM	\$63.80
XF9-E	12.0 kHz	NBFM	\$63.80
XF9-M	0.5 kHz	CW (4 pole)	\$44.65
XF9-NB	0.5 kHz	CW (8 pole)	\$79.10

Export

Inquiries

Invited

9.0 MHz CRYSTALS

XF900	9000.0 kHz	Carrier	\$5.15
XF901	8998.5 kHz	USB	\$5.15
XF902	9001.5 kHz	LSB	\$5.15
XF903	8999.0 kHz	BFO	\$5.15
F-05	Hc25/u	Socket Chassis	.50
F-06	Hc25/u	Socket P.C. Board	.50

Shipping

\$1.75

per filter

VHF and UHF FILTERS

ELIMINATE IMD "BIRDIES"	432 MHz PSF432	\$55.95
FROM YOUR RECEIVER.	1296 MHz PSF1296	\$55.95
CLEAN UP YOUR TRANSMITTER OUTPUT.	1691 MHz PSF1691	\$55.95
	Shipping \$3.50	

OSCAR-J FILTERS

Suppress 2m Tx Third Harmonics. Low 2m loss (0.5 dB typ.). High loss at 435 MHz (30/40 dB).

MMI200-5	30 dB min. atten.	\$31.45
MMI200-7	40 dB min. atten.	\$41.95

NEW!

TRANSVERTERS FOR ATV OSCARS 7, 8 & PHASE 3

Transverters by Microwave Modules and other manufacturers can convert your existing Low Band rig to operate on the VHF & UHF bands. Models also available for 2M to 70cm and for ATV operators from Ch2/Ch3 to 70cms. Each transverter contains both a Tx up-converter and a Rx down-converter. Write for details of the largest selection available.

Prices start at \$189.95 plus \$3.50 shipping.

SPECIFICATIONS:

Output Power	10 W
Receiver N.F.	3 dB typ.
Receiver Gain	30 dB typ.
Prime Power	12V DC

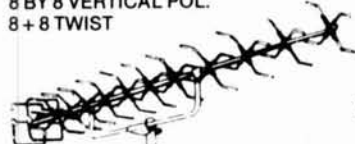


Attention owners of the original MM1432-28 models: Update your transverter to operate OSCAR 8 & PHASE 3 by adding the 434 to 436 MHz range. Mod kit including full instructions \$23.00 plus \$1.50 shipping, etc.

ANTENNAS (FOB CONCORD, VIA UPS)

144-148 MHz J-SLOTS

8 OVER 8 HORIZONTAL POL.	+ 12.3 dBd	D8/2M	\$54.60
8 BY 8 VERTICAL POL.		D8/2M-VERT.	\$64.00
8 + 8 TWIST		8XY/2M	\$56.35



420-450 MHz MULTIBEAMS

For local, DX, OSCAR, and ATV use.

48 EL.	GAIN + 15.7 dBd 70/MBM48	\$63.50
88 EL.	GAIN + 18.5 dBd 70/MBM88	\$86.10

UHF LOOP YAGIS

28 LOOPS	GAIN + 20 dBi	
1250-1340 MHz	1296-LY	\$59.90
1650-1750 MHz	1691-LY	\$63.45

Send 30¢ (2 stamps) for full details of KVG crystal products and all your VHF & UHF equipment requirements.

Pre-Selector Filters
Varactor Triplers
Decade Pre-Scalers
Antennas

Amplifiers
Crystal Filters
Frequency Filters
Oscillator Crystals

SSB Transverters
FM Transverters
VHF Converters
UHF Converters



si

Spectrum
International, Inc.
Post Office Box 1084
Concord, Mass. 01742, USA



GREGORY ELECTRONICS
The FM Used
Equipment People.

2 Meter Portable

G.E. MASTR PR 36
132-150 MHz - 5 Watts
ALL SOLID STATE
with Ni-Cad Battery

New Low Price

\$138.



Vehicular Charger 4EP63A (sold only with unit) \$25.



GREGORY ELECTRONICS CORP.

245 Rt. 46, Saddle Brook, N.J. 07662
Phone: (201) 489-9000

Winter Operating Fun Ideas!

80 METER DXING

by John Devoldere, ON4UN

Going for 5 Band DXCC or just looking for a new DX challenge? This is positively the last word on working 80 meter DX. The author combines his many years of 80 meter operating experience with that of others to produce chapters on propagation, antenna systems, station equipment and international operating practices peculiar to 80 — all in a handy scrapbook format. What are the best times to be on? What's the best antenna? You'll find answers to these and many more 80 meter questions. 80 pages. ©1978.

HR-80M

Softbound \$4.50

THE CHALLENGE OF 160!

by Si Dunn

The unique operating and propagation characteristics in the 160 meter band are examined plus details on constructing simple equipment; antennas, transmitting and receiving gear. 54 pages. ©1977.

ST-160

Softbound \$4.95

CALL TODAY 1 (800) 258-5353
Ham Radio's Bookstore
Greenville, NH 03048
Please add \$1 for shipping.

Call or Write for Delivery or Quote

KENWOOD TS-120S



MADISON ELECTRONICS SUPPLY, INC.

1508 MCKINNEY • HOUSTON, TEXAS 77002
713/658-0268

LEAVE A MESSAGE & WE'LL CALL YOU BACK!

FAST SCAN ATV

WHY GET ON FAST SCAN ATV?

- You can send broadcast quality video of home movies, video tapes, computer games, etc. at a cost that is less than sloscan.
- Really improves public service communications for parades, RACES, CAP searches, weather watch, etc.
- DX is about the same as 2 meter simplex — 15 to 100 miles.



ALL IN ONE BOX
TC-1 Transmitter/Conv
Plug in camera, ant, mic and you are on the air \$399 ppd



HITACHI HV-62 TV CAMERA
High performance closed circuit camera just right for atv. with lens \$239 ppd

PUT YOUR OWN SYSTEM TOGETHER



TVC-1B CONVERTER tunes 420 mhz down to ch 2 or 3 . . . \$49.50 ppd
TXA5 EXCITER \$69 ppd
PA5 10 WATT LINEAR . . . \$79 ppd
FMA5 Audio Subcarrier . \$24.50 ppd

SEND FOR OUR CATALOG, WE HAVE IT ALL
Modules for the builder, complete units for the operator, antennas, color cameras, repeaters, preamps, linears, video ider and clock, and more. 19 years in ATV.

Call 213-447-4565 5-6 pm ur time

P.C. ELECTRONICS

Maryann
WB6YSS

2522 PAXSON
ARCADIA, CA 91006

Tom
W6ORG

MY COMPETITION KNOWS ME YOU SHOULD, TOO!



FREE: HAL-TRONIX 1979 Special Clock Kit Plus a FREE Inline RF Probe — with purchase of any Frequency Counter.

COMPLETE KITS: CONSISTING OF EVERY ESSENTIAL PART NEEDED TO MAKE YOUR COUNTER COMPLETE. **HAL-600A** 7-DIGIT COUNTER WITH FREQUENCY RANGE OF ZERO TO 600 MHz. FEATURES TWO INPUTS: ONE FOR LOW FREQUENCY AND ONE FOR HIGH FREQUENCY; AUTOMATIC ZERO SUPPRESSION. TIME BASE IS 1.0 SEC OR .1 SEC GATE WITH OPTIONAL 10 SEC GATE AVAILABLE. ACCURACY ± .001%. UTILIZES 10-MHZ CRYSTAL 5 PPM. **COMPLETE KIT \$129**

HAL-300A 7-DIGIT COUNTER (SIMILAR TO 600A) WITH FREQUENCY RANGE OF 0-300 MHz. **COMPLETE KIT \$109**

HAL-50A 8-DIGIT COUNTER WITH FREQUENCY RANGE OF ZERO TO 50 MHz OR BETTER. AUTOMATIC DECIMAL POINT. ZERO SUPPRESSION UPON DEMAND. FEATURES TWO INPUTS: ONE FOR LOW FREQUENCY INPUT, AND ONE ON PANEL FOR USE WITH ANY INTERNALLY MOUNTED HALTRONIX PRE-SCALER FOR WHICH PROVISIONS HAVE ALREADY BEEN MADE. 1.0 SEC AND .1 SEC TIME GATES. ACCURACY ± .001%. UTILIZES 10-MHZ CRYSTAL 5 PPM. **COMPLETE KIT \$109**

PRE-SCALER KITS

HAL 300 PRE (Pre-drilled G-10 board and all components) \$14.95
HAL 300 A/PRE (Same as above but with preamp) \$24.95
HAL 600 PRE (Pre-drilled G-10 board and all components) \$29.95
HAL 600 A/PRE (Same as above but with preamp) \$39.95



HAL-1 GHz PRESCALER, VHF & UHF INPUT & OUTPUT, DIVIDES BY 1000. OPERATES ON A SINGLE 5 VOLT SUPPLY. **PREBUILT & TESTED \$79.95**

TOUCH TONE DECODER KIT

HIGHLY STABLE DECODER KIT. COMES WITH 2 SIDED, PLATED THRU AND SOLDER FLOWED G-10 PC BOARD, 7-567's, 2-7402, AND ALL ELECTRONIC COMPONENTS. BOARD MEASURES 3-1/2 x 5-1/2 INCHES. HAS 12 LINES OUT. ONLY **\$39.95**

DELUXE 12-BUTTON TOUCHTONE ENCODER KIT UTILIZING THE NEW ICM 7206 CHIP PROVIDES BOTH VISUAL AND AUDIO INDICATIONS! COMES WITH ITS OWN TWO-TONE ANODIZED ALUMINUM CABINET. MEASURES ONLY 2-3/4" x 3-3/4". COMPLETE WITH TOUCH-TONE PAD, BOARD, CRYSTAL, CHIP AND ALL NECESSARY COMPONENTS TO FINISH THE KIT. **PRICED AT \$29.95**

FOR THOSE WHO WISH TO MOUNT THE ENCODER IN A HAND-HELD UNIT, THE PC BOARD MEASURES ONLY 9/16" x 1-3/4". THIS PARTIAL KIT WITH PC BOARD, CRYSTAL, CHIP AND COMPONENTS. **PRICED AT \$14.95**

ACCUKEYER (KIT) THIS ACCUKEYER IS A REVISED VERSION OF THE VERY POPULAR WB4VVF ACCUKEYER ORIGINALLY DESCRIBED BY JAMES GARRETT, IN QST MAGAZINE AND THE 1975 RADIO AMATEUR'S HANDBOOK. **\$16.95**

ACCUKEYER — MEMORY OPTION KIT PROVIDES A SIMPLE, LOW COST METHOD OF ADDING MEMORY CAPABILITY TO THE WB4VVF ACCUKEYER. WHILE DESIGNED FOR DIRECT ATTACHMENT TO THE ABOVE ACCUKEYER, IT CAN ALSO BE ATTACHED TO ANY STANDARD ACCUKEYER BOARD WITH LITTLE DIFFICULTY. **\$16.95**

PRE-AMPLIFIER

HAL-PA-19 WIDE BAND PRE-AMPLIFIER, 2-200 MHz BANDWIDTH (—3dB POINTS), 19 dB GAIN. **FULLY ASSEMBLED AND TESTED \$8.95**



CLOCK KIT — HAL 79 FOUR-DIGIT SPECIAL — \$7.95. OPERATES ON 12-VOLT AC (NOT SUPPLIED). PROVISIONS FOR DC AND ALARM OPERATION

6-DIGIT CLOCK • 12/24 HOUR

COMPLETE KIT CONSISTING OF 2 PC G-10 PRE-DRILLED PC BOARDS, 1 CLOCK CHIP, 6 FND 359 READOUTS, 13 TRANSISTORS, 3 CAPS, 9 RESISTORS, 5 DIODES, 3 PUSH-BUTTON SWITCHES, POWER TRANSFORMER AND INSTRUCTIONS. DON'T BE FOOLED BY PARTIAL KITS WHERE YOU HAVE TO BUY EVERYTHING EXTRA. **PRICED AT \$12.95**

CLOCK CASE AVAILABLE AND WILL FIT ANY ONE OF THE ABOVE CLOCKS. REGULAR PRICE . . . \$6.50 BUT ONLY **\$4.50 WHEN BOUGHT WITH CLOCK.**

SIX-DIGIT ALARM CLOCK KIT FOR HOME, CAMPER, RV, OR FIELD-DAY USE. OPERATES ON 12-VOLT AC OR DC, AND HAS ITS OWN 60-Hz TIME BASE ON THE BOARD. COMPLETE WITH ALL ELECTRONIC COMPONENTS AND TWO-PIECE, PRE-DRILLED PC BOARDS. BOARD SIZE 4" x 3". COMPLETE WITH SPEAKER AND SWITCHES. IF OPERATED ON DC, THERE IS NOTHING MORE TO BUY. **PRICED AT \$16.95**

*TWELVE-VOLT AC LINE CORD FOR THOSE WHO WISH TO OPERATE THE CLOCK FROM 110-VOLT AC. **\$2.50**

SHIPPING INFORMATION — ORDERS OVER \$15.00 WILL BE SHIPPED POSTPAID EXCEPT ON ITEMS WHERE ADDITIONAL CHARGES ARE REQUESTED. ON ORDERS LESS THAN \$15.00 PLEASE INCLUDE ADDITIONAL \$1.00 FOR HANDLING AND MAILING CHARGES. SEND SASE FOR FREE FLYER.



NOW AN ALUMA TOWER
DISTRIBUTOR



"HAL"
HAROLD C. NOWLAND
W8ZXH

HAL-TRONIX

P. O. BOX 1101
SOUTHGATE, MICH. 48195
PHONE (313) 285-1782

Advertisers check-off

... for literature, in a hurry — we'll rush your name to the companies whose names you "check-off"

Place your check mark in the space between name and number. Ex: **Ham Radio** 234

INDEX

AED _____ 710	Jameco _____ 333
A. E. A. _____ 677	Jan _____ 067
Aluma _____ 589	Jensen _____ 293
Astron _____ 734	Jones _____ 626
Atlantic Surplus * _____	Kantronics * _____
Barry * _____	Kenwood * _____
Bencher _____ 629	Klaus _____ 430
Bilal _____ 817	L-Tronics _____ 576
Budwig _____ 233	Long's _____ 468
Comm. Assoc. * _____	Lunar _____ 577
Communications Center _____ 534	MFJ _____ 082
Comm. Concepts _____ 797	MIL _____ 795
Comm. Spec. _____ 330	Madison * _____
Continental Spec. _____ 348	Microwave Filter _____ 637
Creative Elec. _____ 751	Oak Hill Academy A. R. S. * _____
Curtis Electro _____ 034	P.C. Elec. _____ 766
DCO _____ 324	Palomar Eng. * _____
DSI _____ 656	RCA Distr. _____ 782
Daltec Sys. _____ 813	Callbook _____ 100
Data Signal _____ 270	Constructor * _____
Dave * _____	Radiokit _____ 801
Daytapro _____ 455	Radio World * _____
Digital Equip. * _____	Ramsey _____ 442
Drake * _____	Sem Con _____ 808
EBA Microwave _____ 818	Sherwood _____ 435
E. T. O. * _____	Slep _____ 232
Erickson * _____	Space _____ 107
Fair Radio _____ 048	Spectronics _____ 191
Fox-Tango _____ 657	Spec. Int. _____ 108
G & C Comm. _____ 754	Swan _____ 111
GLB _____ 552	T. C. I. _____ 785
Gregory * _____	TEDCO _____ 791
Hal * _____	Telrex * _____
Hal-Tronix _____ 254	Ten-Tec * _____
H. R. B. _____ 150	Tropical Hamboree * _____
H. R. Magazine _____ 150	Vanguard Labs _____ 716
Henry _____ 062	Varian _____ 043
Hildreth _____ 283	Webster Assoc. _____ 423
Icom * _____	Western * _____
Int. Crystal _____ 066	Wilson Systems _____ 787
Int. DX * _____	Yaesu _____ 127
JS & A * _____	York Elec. _____ 792

*Please contact this advertiser directly.

Limit 15 inquiries per request.

January, 1980

Please use before February 28, 1980

Tear off and mail to

HAM RADIO MAGAZINE — "check off"
Greenville, N. H. 03048

NAME

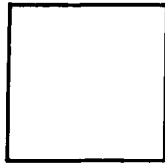
CALL

STREET

CITY

STATE ZIP

MADISON HAPPY NEW YEAR!



% WRITE IN YOUR BEST QUOTE FROM THE "800 GANG."

NOW, LIST THE EQUIPMENT YOU WANT IN THE SPACES PROVIDED BELOW, CUT OUT THIS AD, AND SEND IT TO US WITH YOUR NAME, ADDRESS AND TELEPHONE NUMBER. WE WILL WRITE OR CALL (CHECK ONE) YOU BACK AS SOON AS POSSIBLE WITH THE **MADISON QUOTE**.

(HINT: DON'T GO BELOW OUR COST).

WE HAVE AN IN-DEPTH STOCK AND LARGE INVENTORY OF MAJOR LINES AND ACCESSORIES.

PLEASE QUOTE ON:

1. _____	NAME _____
2. _____	ADDRESS _____
3. _____	TELEPHONE _____
4. _____	ZIP _____

TERMS: ALL PRICES FOB HOUSTON. PRICES SUBJECT TO CHANGE WITHOUT NOTICE. ALL ITEMS GUARANTEED. SOME ITEMS SUBJECT TO PRIOR SALE. SEND LETTERHEAD FOR AMATEUR DEALER'S PRICE LIST. TEXAS RESIDENTS ADD 6% TAX. PLEASE ADD POSTAGE ESTIMATE.

MADISON ELECTRONICS SUPPLY, INC.

1508-D MCKINNEY HOUSTON, TEXAS 77002
713/658-0268 NITES 713/497-5683

Advertisers iNdex

AED Electronics	107
Aluma Tower Co.	101
Astron Corporation	80
Atlantic Surplus Sales	100
Barry Electronics	91
Bencher, Inc.	80, 94
Bilal Company	106
Budwig Mfg. Co.	80
Communications Associates	60
Communications Center	41
Communication Concepts	102
Communications Specialists	10, 11
Continental Specialties	47
Creative Electronics	51
Curtis Electro Devices	102
DCO, Inc.	91
DSI Instruments	96
Data Signal, Inc.	106
Dave	80
Daytapro Electronics	80
Digital Equipment Corp.	90
Drake Co., R. L.	1
EBA Microwave	90
Ehrhorn Technological Operations	111
Erickson Communications	95
Fair Radio Sales	101
Fox-Tango Corp.	106
G & C Communications	81
GLB Electronics	102
Gregory Electronics	108
Hal Communications Corp.	21
Hal-Tronix	109
Ham Radio's Bookstore	64, 81, 87, 90, 98, 106, 108
Ham Radio Magazine	100, 102
Henry Radio Stores	Cover II
Hildreth Engineering	106
Icom	5
International Crystal Mfg. Co.	93
International DX	97
JS & A Group, Inc.	70
Jameco Electronics	69
Jan Crystals	80
Jensen Tools & Alloys	97
Jones, Marlin P. & Assoc.	99
Kantronics	95
Trio-Kenwood Communications, Inc.	56, 57
Klaus Radio, Inc.	98
L-Tronics	94
Long's Electronics	112
Lunar Electronics	81
MFJ Enterprises	2
Madison Electronic Supply	91, 109, 110
Microwave Filter, Inc.	65
Oak Hill Academy Amateur Radio Session	100
P.C. Electronics	109
Palomar Engineers	87
Radio Amateur Callbook	100
Radio & Electronics Constructor	102
Radiokit	107
Radio World	107
Ramsey Electronics	55
Sem Con, Inc.	97
Sherwood Engineering	107
Slep Electronics Company	101
Space Electronics	106
Spectronics	61
Spectrum International	108
Swan Electronics	7, 103
TEDCO	102
Telemetry Communications & Instrumentation	97
Telrex Laboratories	97
Ten-Tec	9
Tropical Hamboree	60
Vanguard Labs	102
Varian, Eimac Division	Cover IV
Webster Associates	101
Western Electronics	98
Wilson Systems, Inc.	63
Yaesu Electronics Corp.	Cover III
York Electronics	100

WHY WISH YOU'D BOUGHT ALPHA?



IS SOMETHING ELSE "JUST AS GOOD?"

New ALPHA owners often tell us, "I wish I'd saved my time and money and bought an ALPHA in the first place." Why not benefit from their experience? Compare first!

TRY TO GET ANY OTHER MANUFACTURER TO TELL YOU - IN WRITING - THAT IT'S SAFE TO OPERATE HIS DESK TOP LINEAR AT A FULL D-C KILOWATT . . . SAY FOR 24 HOURS KEY-DOWN. OR, ASK HIM FOR A FULL YEAR WRITTEN WARRANTY. GOOD LUCK!

YOUR NEW ALPHA WILL HAPPILY AND COOLLY RUN THAT KILOWATT KEY-DOWN . . . FOR 24 DAYS IF YOU WISH. AND YOU'LL BE PROTECTED BY ETO'S UNMATCHED WARRANTY FOR TWO YEARS. WE PUT IT IN WRITING ALL THE TIME. IT'S THE WAY WE BUILD AND WARRANT EVERY ALPHA!

The new ALPHA's are the best we've ever built. Nothing else even approaches an ALPHA's combination of power, convenience, quality, and owner protection. The ETO/ALPHA two year limited warranty offers you eight times as much protection as the industry standard 90 day warranty.

The new ALPHA 78 combines major capabilities that you can't get in any other linear amplifier plus all the traditional ALPHA qualities. You can hop instantly from one HF band to another with NO TUNE UP . . . with truly conservative maximum legal power in all modes including SSTV and RTTY . . . and with NO TIME LIMIT on key-down time at full power!

You can work full CW break-in with the ALPHA 78 (provided your exciter/transceiver's up to it!), using the same vacuum relay high speed QSK system made famous by the "Ultimate Linear" ALPHA 77Dx. And if new amateur bands are granted, you can manually tune your ALPHA to work them, too.

The standard of high power convenience established back in 1974 by the original ALPHA 374 has gone unchallenged ever since. In 1980, ALPHA 374A and ALPHA 78 are still the only linears that offer you both maximum legal power and no-tune-up convenience. Not to mention sleek "one cubic foot" desk-top packaging. And these newest ALPHA's are even huskier than their famed predecessors: bigger transformers, quieter and more efficient cooling systems, more robust RF components. ALPHA's exclusive two year limited warranty is no accident - it tells you a lot about how an ALPHA's built.

Before you get serious about any other brand of linear, compare its convenience and quality, its transformer heft, its cooling system efficiency and noise level and its warranty - with the ALPHA's. Be sure to ask around about its reputation.

Call or write for detailed literature and thoroughly check out all the great new ALPHA's . . . so you don't make a mistake.



EHRHORN TECHNOLOGICAL OPERATIONS, INC.
BOX 708, CAÑON CITY, CO. 81212 (303) 275-1613

CALL TOLL FREE
1-800-633-3410

Prices subject to change without notice. Prices good only while supply lasts.

YAESU FT-101Z high performance HF transceiver

Covers 160 thru 10 meters plus WWV, modes are: LSB, USB, and CW, built-in power supply, built-in RF speech processor, built-in noise blanker, variable IF bandwidth, analog frequency readout, 6146 final tubes with RF negative feedback, heater switch, VOX, attenuator 10 dB or 20 dB selectable. Power requirements: 100/110/117/200/220/234 volts AC 50/60 Hz.

ORDER NOW!



749.00 List. Call for quote.



SP-901P speaker/patch

A speaker/phone patch to match the FT-901/101Z series. The unit has full metering and level controls.

74.00 Call today.



YAESU FT-901DM All mode HF transceiver

Covers 160 thru 10 meters, variable IF bandwidth, rejection tuning, CW audio peak filter, built-in Curtis keyer, RF speech processor, 6146 finals, 25 KHz crystal calibrator, VOX, built-in power supply, 180W DC input for SSB/CW, 80W AM/FSK/FM, DC-DC converter built-in.

1459.00 List. Call for quote.



YAESU FT-101ZD HF transceiver

Covers: 160 thru 10 meters plus WWV, modes: LSB, USB, and CW, built-in power supply, digital and analog frequency readout, 6146B final tubes, RF speech processor, variable IF bandwidth, noise blanker, heater switch, VOX, attenuator 10 dB or 20 dB selectable.

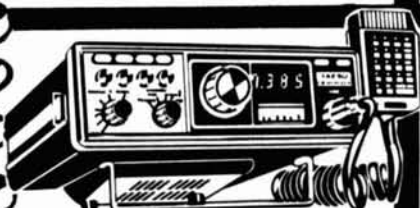
895.00 List. Call for quote.



YAESU CPU-2500RK 2m FM transceiver

With 800 PLL ch., automatic scan over entire 2m band, 4 memories, tone burst, 25W hi/3W lo, 13.6 VDC at 8 amps, freq. coverage 144-148 MHz. Keyboard mic allows remote input of memory or dial freqs. up/down scanning control, aux. repeater split selection to 4 MHz, and 2 tone input for autopatch or control link.

585.00 List. Call for quote.



YAESU FT-227RB 2m FM transceiver

4 memory channels, a remote scan for mic, select to scan clear or busy channel, freq. coverage of 144 to 148 MHz, 800 channels, power requirements: 13.8 VDC @ 2.5 amps continuous, RF output: 10W hi/1W lo, tone-burst \pm 600 KHz repeater offset. Complete with YM-22 touch-tone mic.

425.00 List. Call for quote.



YAESU FT-202R 2m handheld FM transceiver

1 watt output minimum, 6 channel capability, flexibility helical whip antenna, equipped with toneburst, compact size and light weight, S-meter and battery condition indicator, operated on 8 AA NiCad or 7 AA dry cell batteries. 3 pr. Xtals incl.

199.00 List. Call for quote.



YAESU

YAESU FT-207R synthesized Handi-Talkie

144-148 Mhz, 5KHz steps, output: 2.5W hi/200 mW low, 4 memories plus programmable offset, prior ch., memory band & auto scan, keyboard encoder freq. entry, 2 tone input from keyboard, keyboard lock, programs odd splits, auto. battery saver for LED, rubber flex antenna & 15 hr. wall charger.

399.00 List. Call for quote.



Long's Electronics



MAIL ORDERS: P.O. BOX 11347 BIRMINGHAM, AL 35202 • STREET ADDRESS: 2808 7TH AVENUE SOUTH BIRMINGHAM, ALABAMA 35233
 Remember, you can Call Toll Free: **1-800-633-3410** in the U.S.A. or call **1-800-292-8668** in Alabama for our low price quote. Store hours: 9:00 AM til 5:30 PM, Monday thru Friday.

FT-707 is shown with optional FV-707DM VFO & Scanning Microphone



THE FT-707 "WAYFARER"

The introduction of the "WAYFARER" by Yaesu is the beginning of a new era in compact solid state transceivers. The FT-707 "WAYFARER" offers you a full 100 watts output on 80-10 meters and operates SSB, CW, and AM modes. Don't let the small size fool you! Though it is not much larger than a book, this is a full-featured transceiver which is ideally suited for your home station or as a traveling companion for mobile or portable operation.

The receiver offers sensitivity of .25 μ V/10 dB SN as well as a degree of selectivity previously unavailable in a package this small. The "WAYFARER" comes equipped with 16 poles of IF filtering, variable bandwidth and optional crystal filters for 600 Hz or 350 Hz. Just look at these additional features:

FT-707 with Standard Features

- Fast/slow AGC selection
- Advanced noise blanker
- Built-in calibrator
- WWV/JJY Band
- Bright Digital Readout
- Fixed crystal position
- 2 auxiliary bands for future expansion
- Unique multi-color bar metering—monitors signal strength, power output, and ALC voltage.

FT-707 with Optional FV-707DM & Scanning Microphone

- Choice of 2 rates of scan
- Remote scanning from microphone
- Scans in 10 cycle steps
- Synthesized VFO
- Selection of receiver/transmitter functions from either front panel or external VFO
- "DMS" (Digital Memory Shift)

Impressive as the "WAYFARER" is its versatility can be greatly increased by the addition of the FV-707DM (optional). The FV-707DM, though only one inch high, allows the storage of 13 discrete frequencies and with the use of "DMS" (Digital Memory Shift) each memory can be band-spread 500 KHz. These 500 KHz bands may be remotely scanned from the microphone at the very smooth rate of 10 Hz steps.

The FT-707 "WAYFARER" is a truly unique rig. See it today at your authorized Yaesu Dealer.

YAESU
The radio.



YAESU ELECTRONICS CORP., 6851 Waltham Way, Paramount, CA 90723 • (213) 633-4007
YAESU ELECTRONICS Eastern Service Ctr., 9812 Princeton-Glendale Rd., Cincinnati, OH 45246

EIMAC takes the work out of 25 kW FM transmitter design.

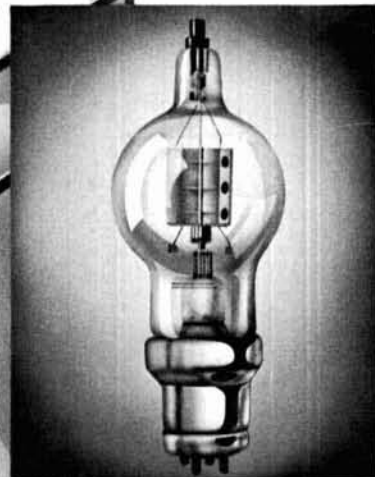
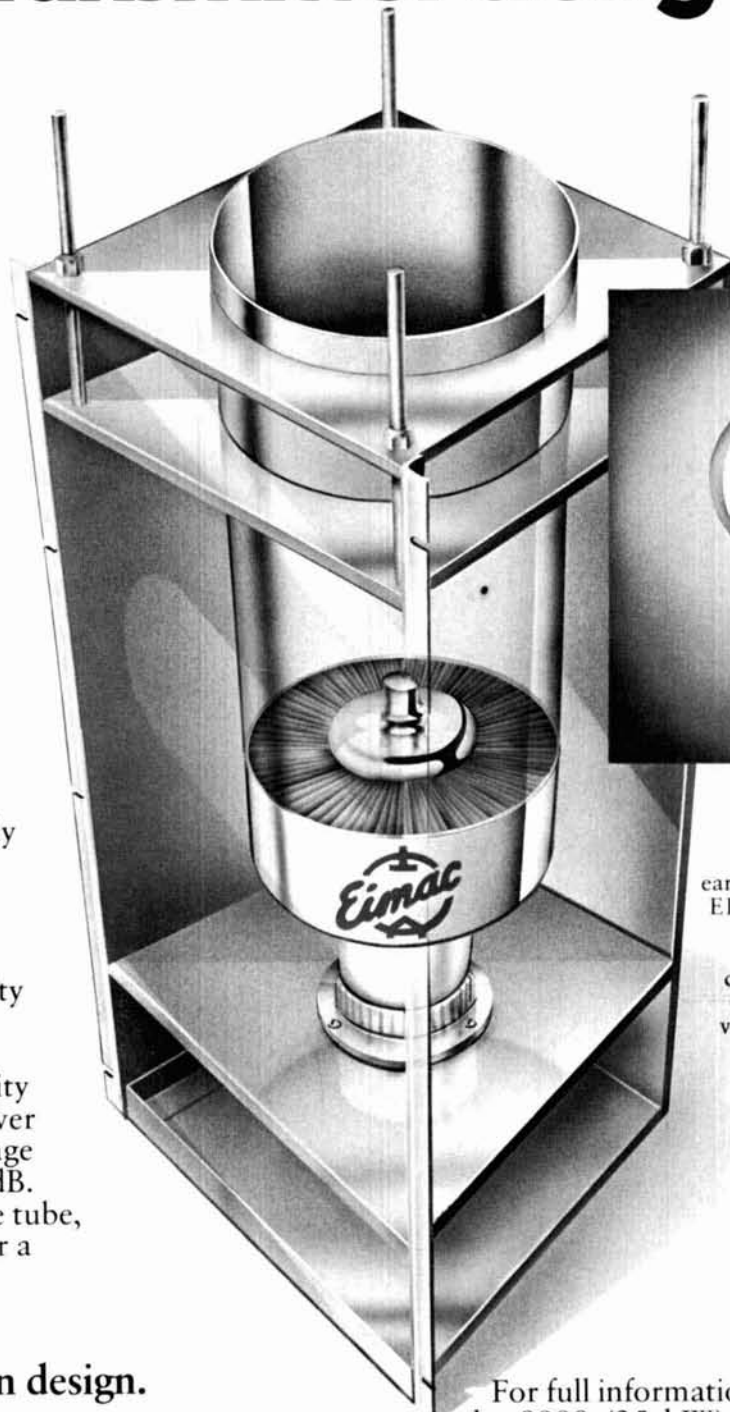
New cavity amplifier and tetrode combo.

The new EIMAC CV-2200 power amplifier cavity assembly and companion 8990 tetrode is ready for use in next generation FM transmitters in the 88–108 MHz band.

EIMAC engineered interface provides capability between tube and cavity design and the result is an amplifier of classic simplicity that combines a useful power output of 25 kW with a stage gain of approximately 20 dB. These numbers make a one tube, high power FM transmitter a reality today.

Cost effective modern design.

EIMAC's cost-effectiveness and modern design are yours in the new cavity and tube combo. Anticipate reduced transmitter down-time and higher revenues with this new amplifier concept. Make sure your new transmitter is EIMAC equipped.



1935, EIMAC was present at the birth of FM broadcasting. Major Armstrong's early transmitter used four EIMAC 150T tubes in the amplifier stages. And EIMAC still retains its commanding position in continuing high power vacuum tube technology.



For full information on the CV-2200, the 8990 (25 kW) and the 8989 (15 kW) write EIMAC, Division of Varian, 301 Industrial Way, San Carlos, California 94070. Telephone (415) 592-1221. Or contact any of the more than 30 Varian Electron Device Group sales offices throughout the world.